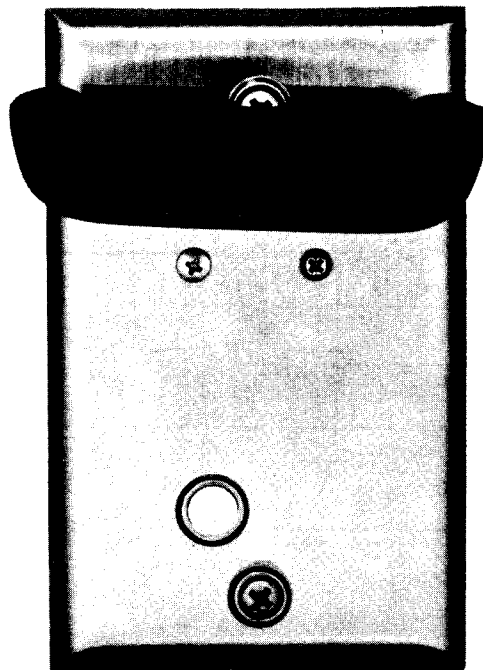


DUKANE MODEL 9A685 WALL PLATE AND HOOKSWITCH



GENERAL DESCRIPTION

The DuKane Model 9A685 Wall Plate and Hookswitch is designed for use with carbon handsets only in telephone-paging-intercom systems and with sound-system consoles to provide intercom service at remote locations. The recommended handset is DuKane 257-42. The assembly is mounted on a stainless steel wall plate 2-3/4" by 4-1/2" which mounts on a standard 2" x 4" wall box having a minimum depth of 1-3/4". Handset and system connections are made at two screw type terminal strips. Mounting accessories are supplied with the unit.

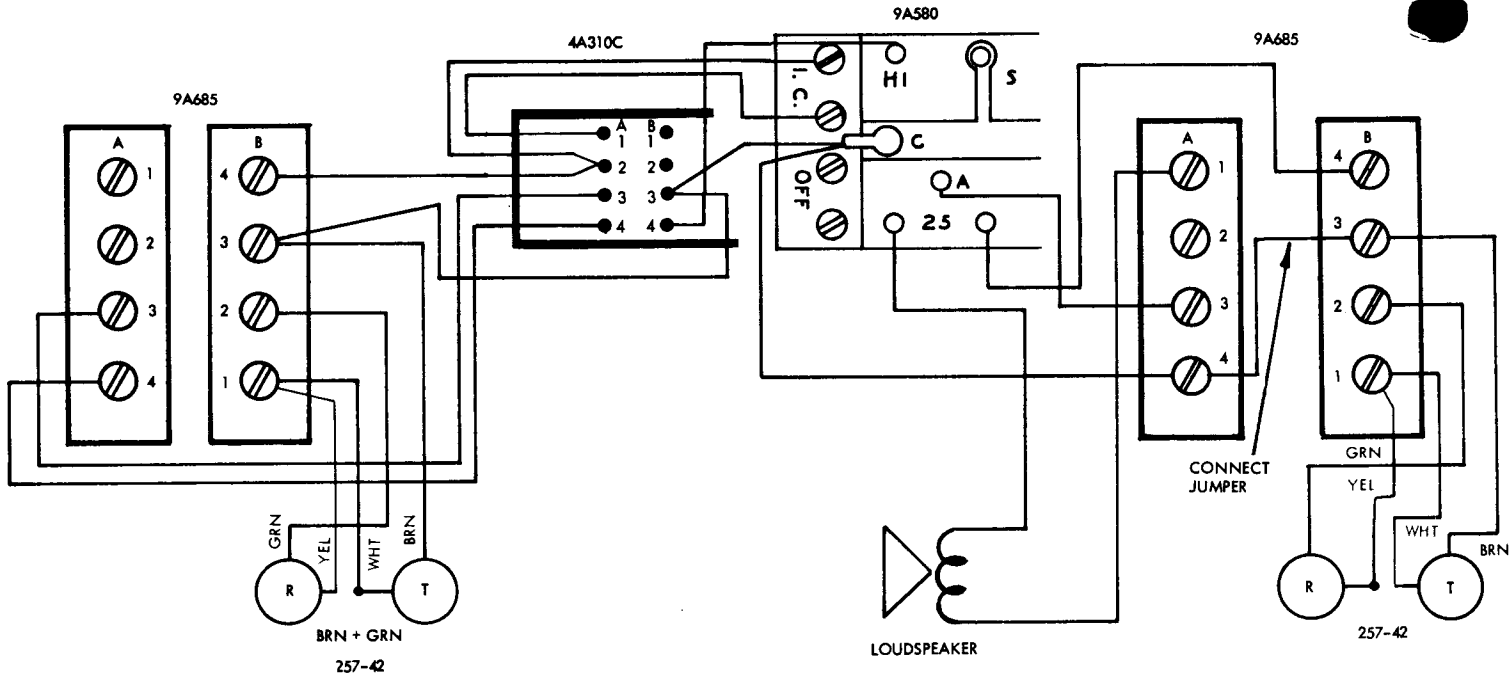
POWER REQUIREMENTS

The Model 9A685 requires a carbon handset and an external source of 24 volts DC power and incoming annunciator and intercom lines.

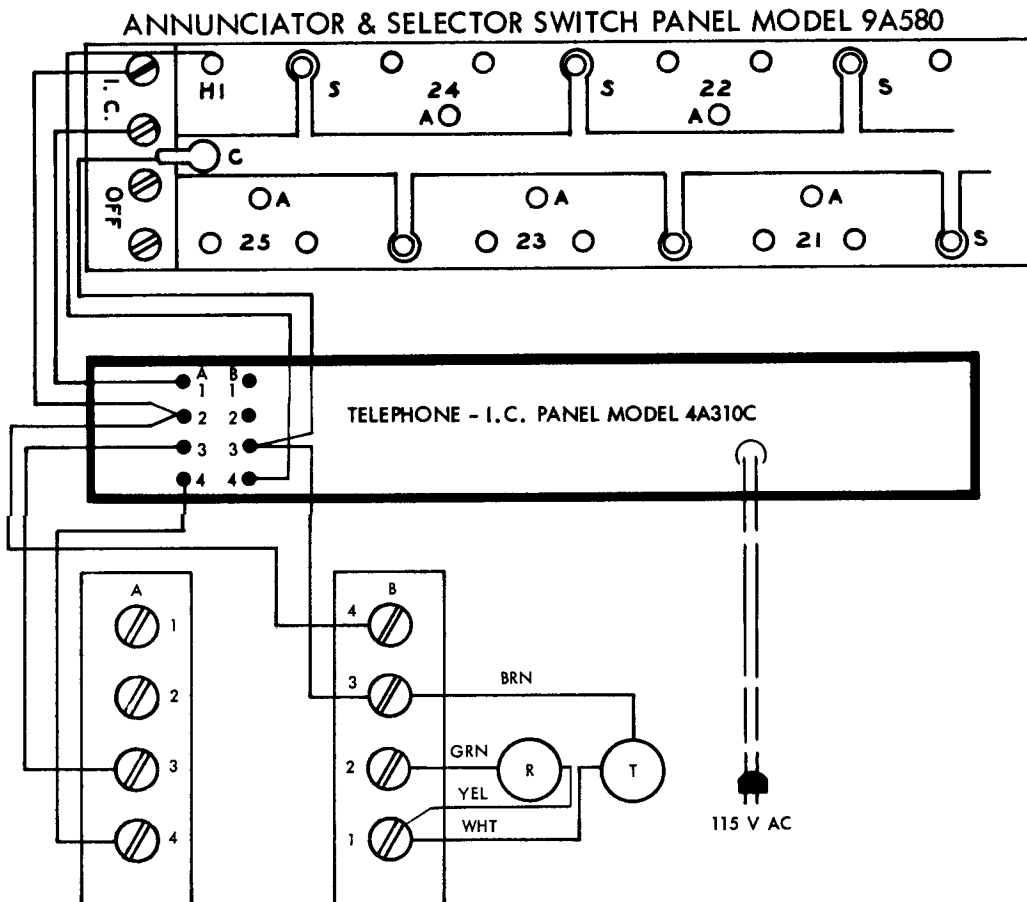
PREPARATION FOR USE

See schematic diagrams for external wiring connections.

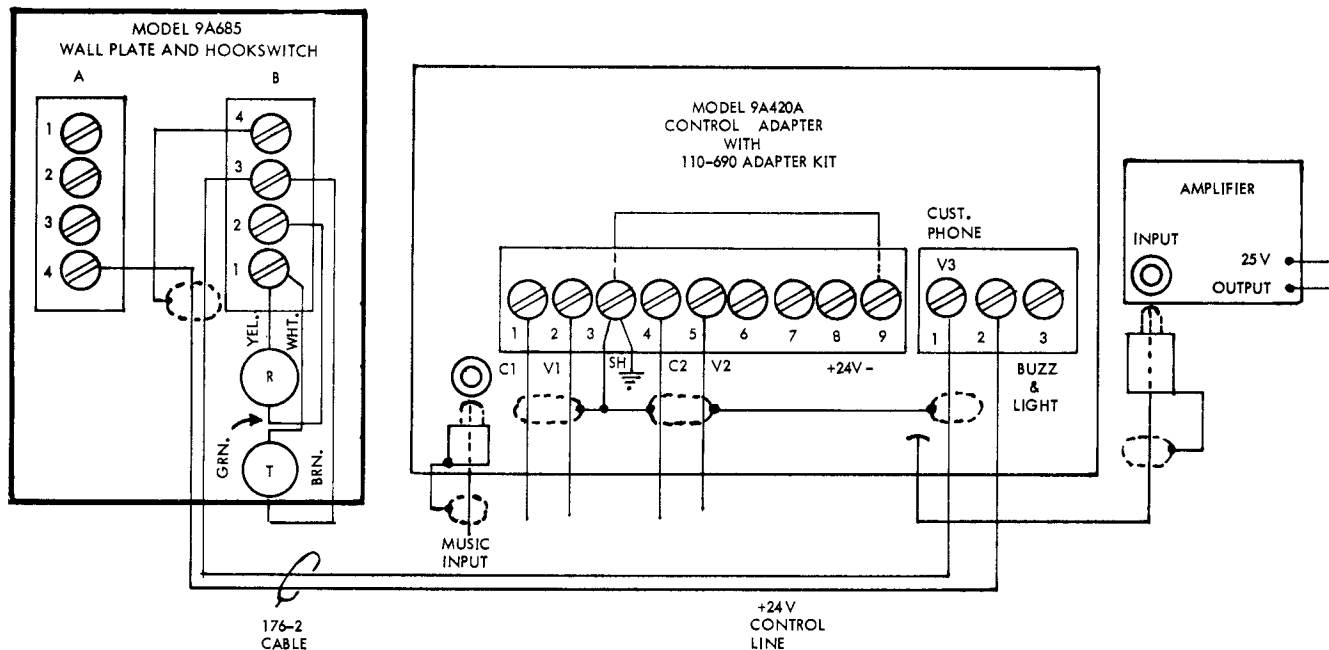
For use in Telephone-I C system using 4A310C, 9A580 and 9A685 wire as shown below.



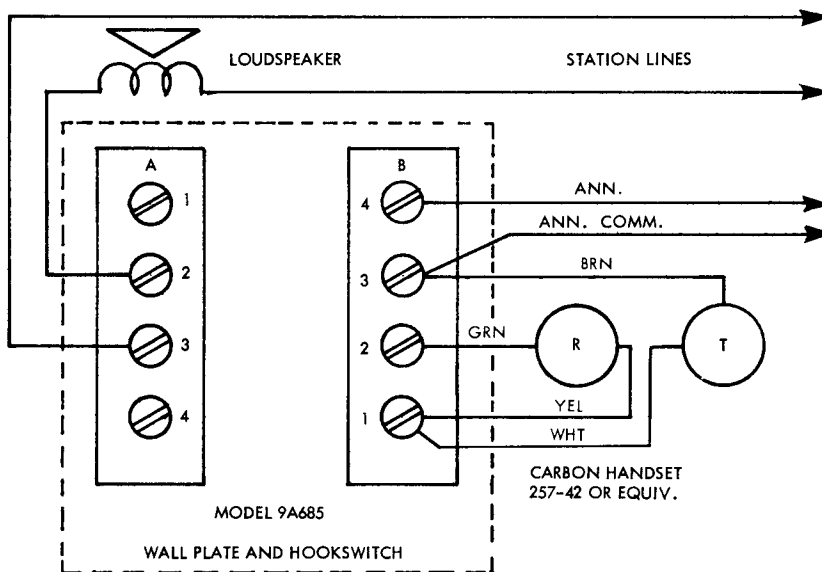
For use on sound system consoles make connections shown below.



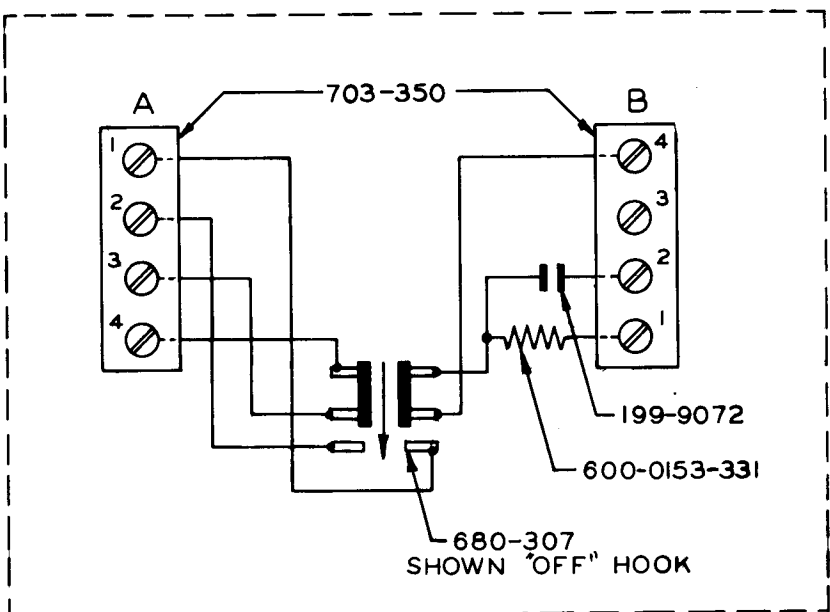
For use in telephone-paging system make connections shown below.



For use in rooms or areas equipped with loudspeaker make connections shown below



NO. REQ'D	USED ON
	9A 685



MATERIAL _____ FINISH _____
 UNLESS OTHERWISE SPECIFIED DECIMAL DIMENSIONS TO BE ±. / ' FRACTIONAL DIMENSIONS TO BE ±. / ' ISSUE _____ WAS _____ DATE _____ APPR. _____

DuKANE
 CORPORATION
 ESTABLISHED AS "OPERADIO" 1922
 ST. CHARLES, ILLINOIS, U. S. A.

SCHEMATIC DIAGRAM
 WALL PLATE HOOK
 SWITCH ASSEMBLY
 MODEL 9A685

SCALE — # —
 DATE 7-19-60
 DRAWN JD APP'D *WJR*
 CHECKED *AM* ENGR *JEE* NO. 190 986

00
 ISSUE