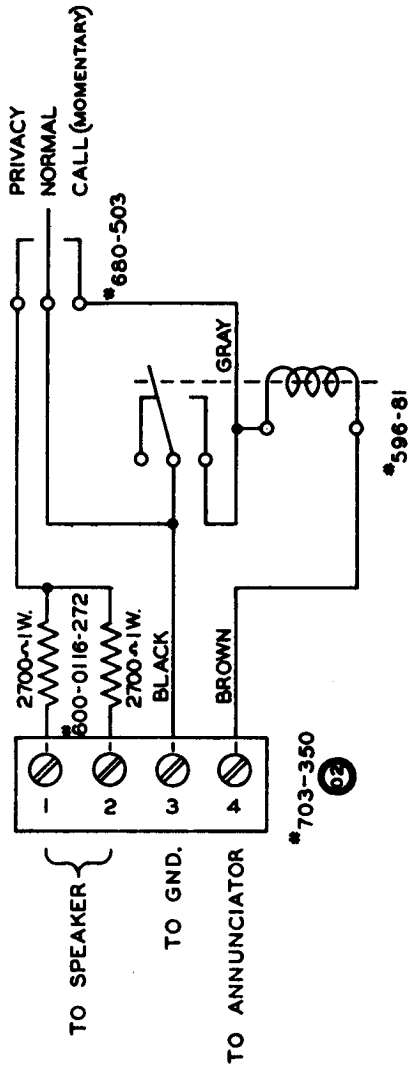


190-767	
NO. REQS.	USED ON
	9A425



MATERIAL _____ FINISH _____
 UNLESS OTHERWISE SPECIFIED DECIMAL DIMENSIONS TO BE .1" FRACTIONAL DIMENSIONS TO BE .01"

SCALE _____
 DRAWN *[Signature]*
 CHECKED _____
 APP'D *[Signature]*
 ENGR. *[Signature]*
 SCHEDULED FOR ISSUE DATE 2-12-58

DUKANE
 CORPORATION
 ESTABLISHED AS "OPERADIO" 1922
 ST. CHARLES, ILLINOIS, U. S. A.

NO. 190-767

03	680-503 WAS 680-7	5-25-67	<i>[Signature]</i>
02	WAS 703 234 TERM. S.	2-1-59	<i>[Signature]</i>
01	ADDED - TO SPEAKER TO GND, TO ANNUNCIATOR	1-15-59	
03	ISSUE	DATE	APPR.