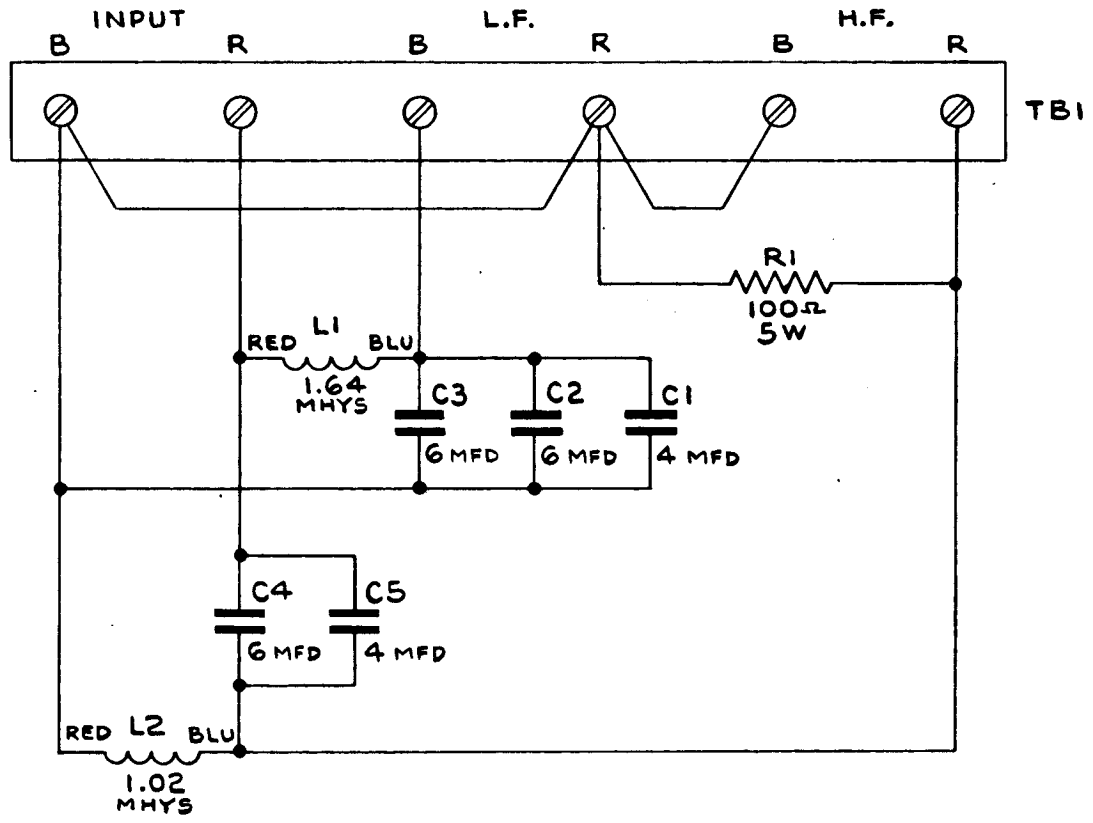


404-731

190-1743	
NO. REQ'D.	USED ON
	99A523



8 OHM, 40 WATTS,
1200 HZ. CROSSOVER

MATERIAL		FINISH								
UNLESS OTHERWISE SPECIFIED DECIMAL DIMENSIONS TO BE ± .			FRACTIONAL DIMENSIONS TO BE ±		ANGLES TO BE ±		ISSUE	W A S	DATE	APPR.
DUKANE Corporation ESTABLISHED 1922 ST. CHARLES, ILLINOIS U.S.A.			SCHEMATIC DIAGRAM MODEL 99A523 DIVIDING NETWORK (CROSSOVER)			SCALE		DATE 8-20-69		
						DRAWN <i>AW</i>	APP'D.	NO. 190-1743-00		ISSUE
CHECKED	ENGR. <i>K&U</i>									

99A523