

**NOTES:**

UNLESS OTHERWISE SPECIFIED:

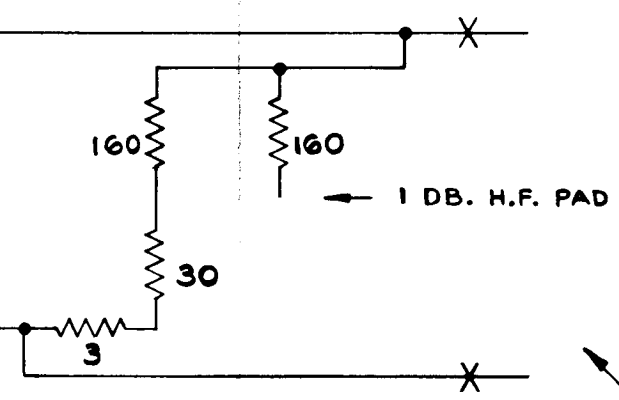
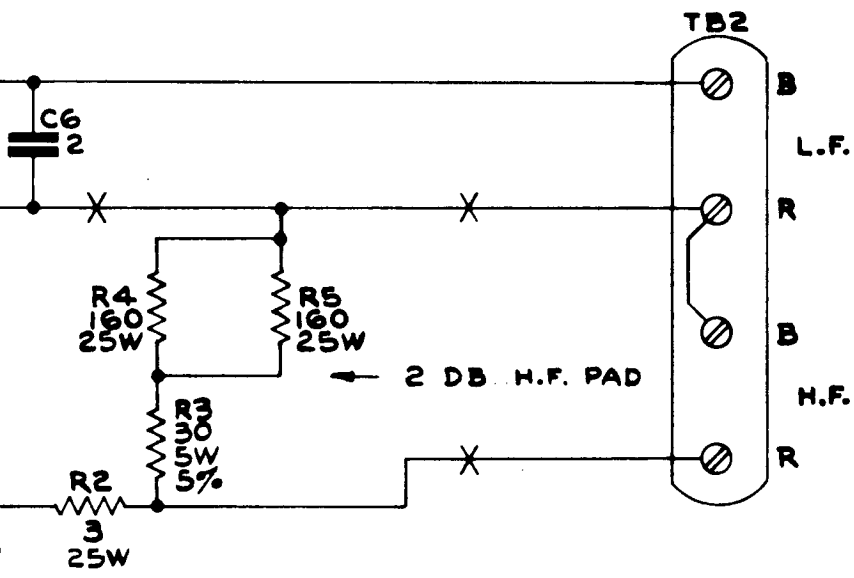
1. TOLERANCE ON FIXED RESISTORS  $\pm 10\%$ .
2. RESISTANCE VALUE IN OHMS.
3. CAPACITANCE VALUES IN MICROFARADS.

MATERIAL  
UNLESS OTHERWISE SPECIFIED BY

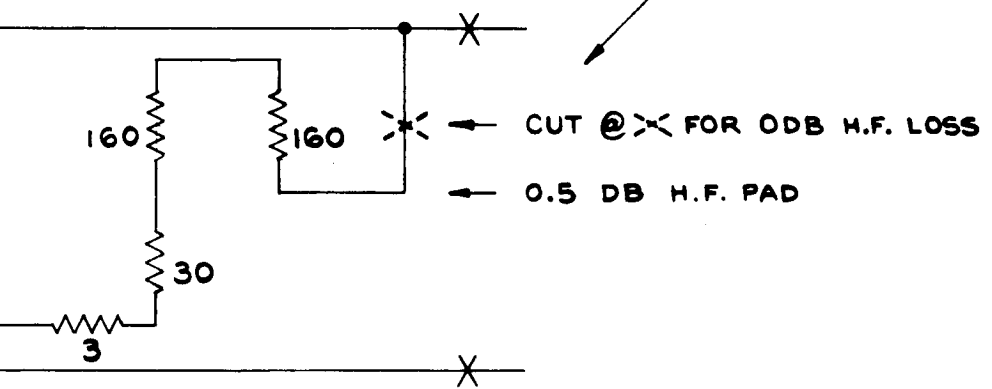
**DuKane**  
Corporation  
ESTABLISHED 1922  
ST. CHARLES, ILLINOIS

99A520

190-1732	
NO.	USED ON
	99A520



OPTIONAL INTERNAL PAD CONNECTIONS



MATERIAL	FINISH						
UNLESS OTHERWISE SPECIFIED DECIMAL DIMENSIONS TO BE ± .		FRACTIONAL DIMENSIONS TO BE -	ANGLE TO BE ±	ISSUE	W A S	DATE	APPR.
<b>DUKANE</b> Corporation ESTABLISHED 1922 ST. CHARLES, ILLINOIS U.S.A.		SCHEMATIC DIAGRAM MODEL 99A520 25 OHM, 500 HZ, 240 WATTS CROSSOVER NETWORK		SCALE _____ DATE 7-10-69		NO. 190-1732 - 00	
		DRAWN <i>AW</i>	APP'D.	ENGR. <i>HEV</i>		ISSUE	
		CHECKED					