

YEL & BLUE MUST  
BE CONNECTED  
TOGETHER FOR  
110V USE.

STRIP	TERMINAL	DESIGNATION
A	1	"I.C."
	2	"I.C."
	3	HANDSET-SEE NOTE 2
	4	HANDSET-SEE NOTE 2
B	1&4	EXT.-BUZZER
	2	+ 24 V.D.C.
	3	ANNUNC. COM.
	4	- 24 V.

NOTE:

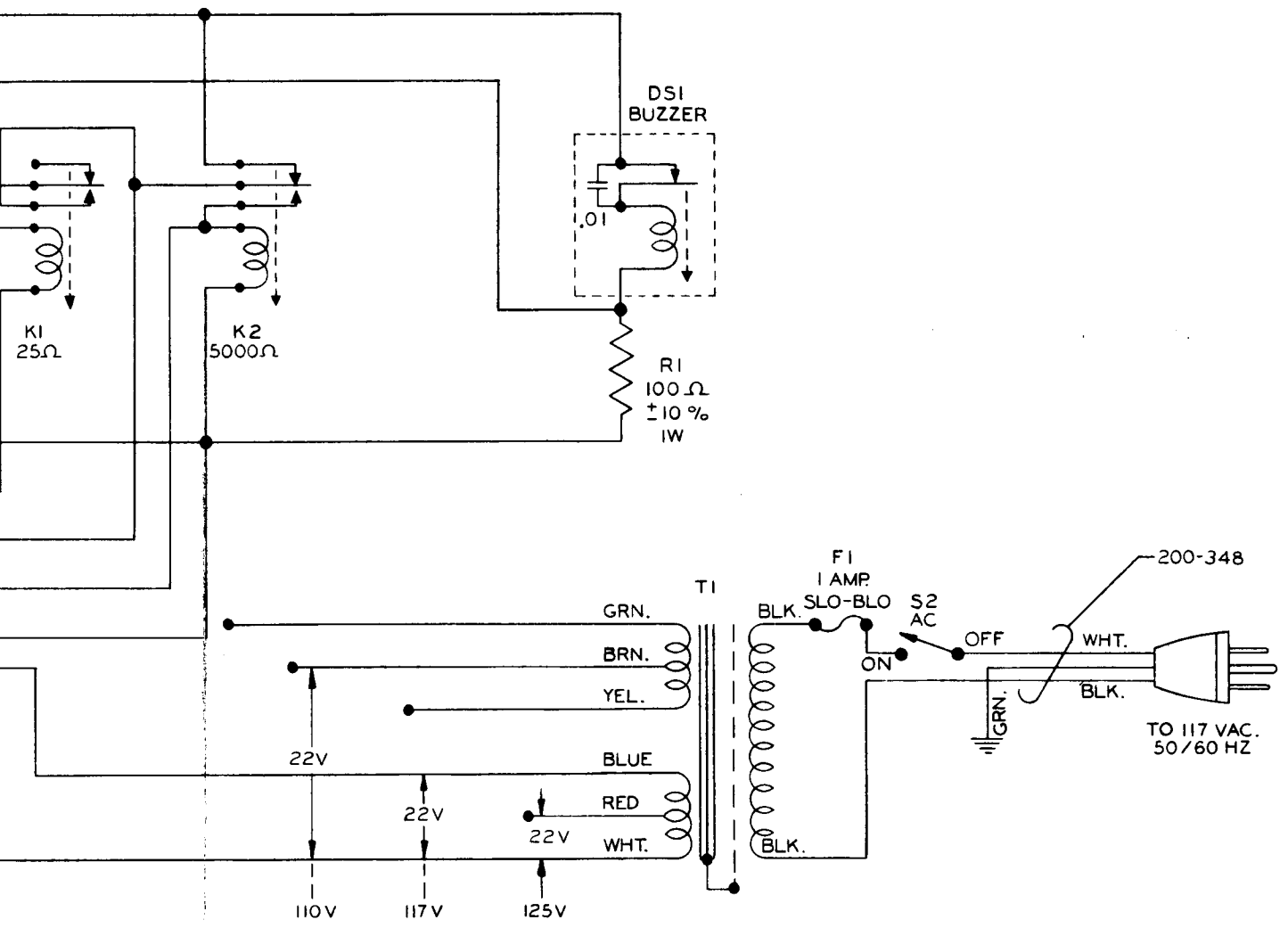
1. CIRCUIT NOT GROUNDED TO CHASSIS.
2. FOR TYPICAL OPERATION SEE 400-1472-02

MATERIAL

UNLESS OTHERWISE SPECIFIED BY

**DuKane**  
Corporation  
ESTABLISHED 1922  
ST. CHARLES, ILLINOIS

190-1626	
NO. REQ'D.	USED ON
	4A310E



YEL & BLUE MUST  
BE CONNECTED  
TOGETHER FOR  
110V USE.

472-02

MATERIAL		FINISH								
UNLESS OTHERWISE SPECIFIED DECIMAL DIMENSIONS TO BE ± .			FRACTIONAL DIMENSIONS TO BE ±		ANGLES TO BE ±		ISSUE	W A S	DATE	APPR.
<b>DUKANE</b> Corporation ESTABLISHED 1922 ST. CHARLES, ILLINOIS U.S.A.			SCHEMATIC DIAGRAM MODEL 4A310E TELEPHONE - I.C.			SCALE	DATE		4-1-68	
						DRAWN	APP'D.	NO. 190-1626		ISSUE
					CHECKED	ENGR.				