

SUPPLEMENTAL INSTRUCTIONS FOR RESPONSE CASSETTE
MICROMATIC MODELS 28A27A and 28A28A

EARL MARRIOTT

There are two basic modes of operation. In either mode the
MAN-AUTO-ADV switch must be in the AUTO position.

A. A STANDARD AUTOMATIC SOUND FILMSTRIP PRO-
JECTOR

DUKANE SOUND FILM STRIP

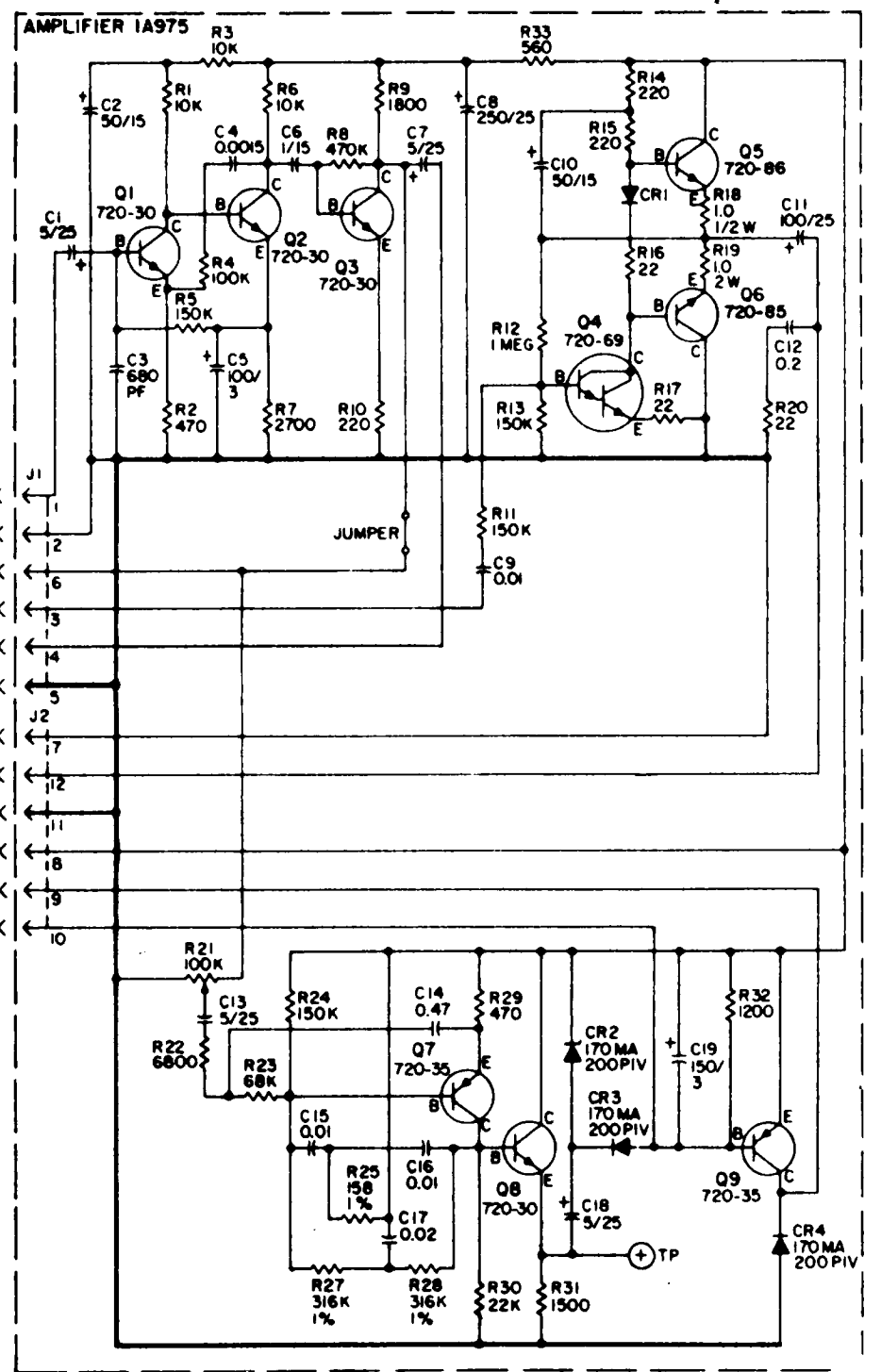
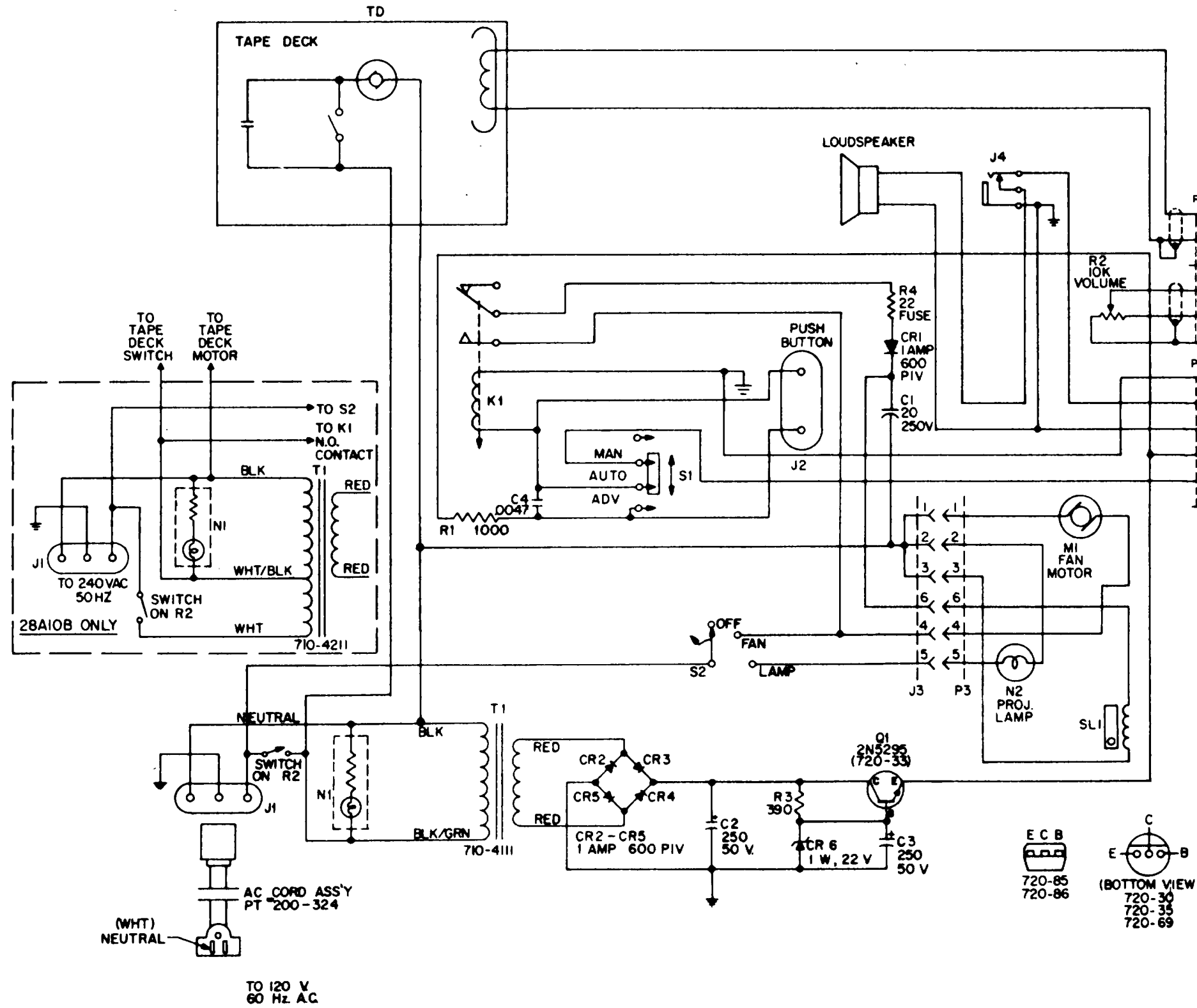
With RESPONSE-NORMAL switch in NORMAL position
response projector will operate as regular cassette pro-
jector.

PROJECTOR.

B. AN AUTOMATIC SOUND FILMSTRIP PROJECTOR
WITH RESPONSE FUNCTION

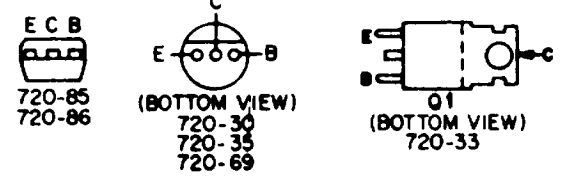
1. With RESPONSE-NORMAL switch in RESPONSE position the projector is "holding" when first turned on (red indicator light on).
2. To start program, either remote push button must be pressed or RESPONSE-NORMAL switch moved to NORMAL and back to RESPONSE position.
3. When a 2 second pulse appears on the sound track the projector makes one picture change, the cassette stops, and the red indicator light turns on. The picture remains on the screen and both picture and sound wait for a response from the viewer.
4. The viewer may reactivate the machine by pressing the button on a remote push button cord, at which time the red indicator light turns off and program proceeds.

NOTE: A remote response unit which closes a pair of contacts may be used with this projector. Some react only to the correct answer and some also record the answer.

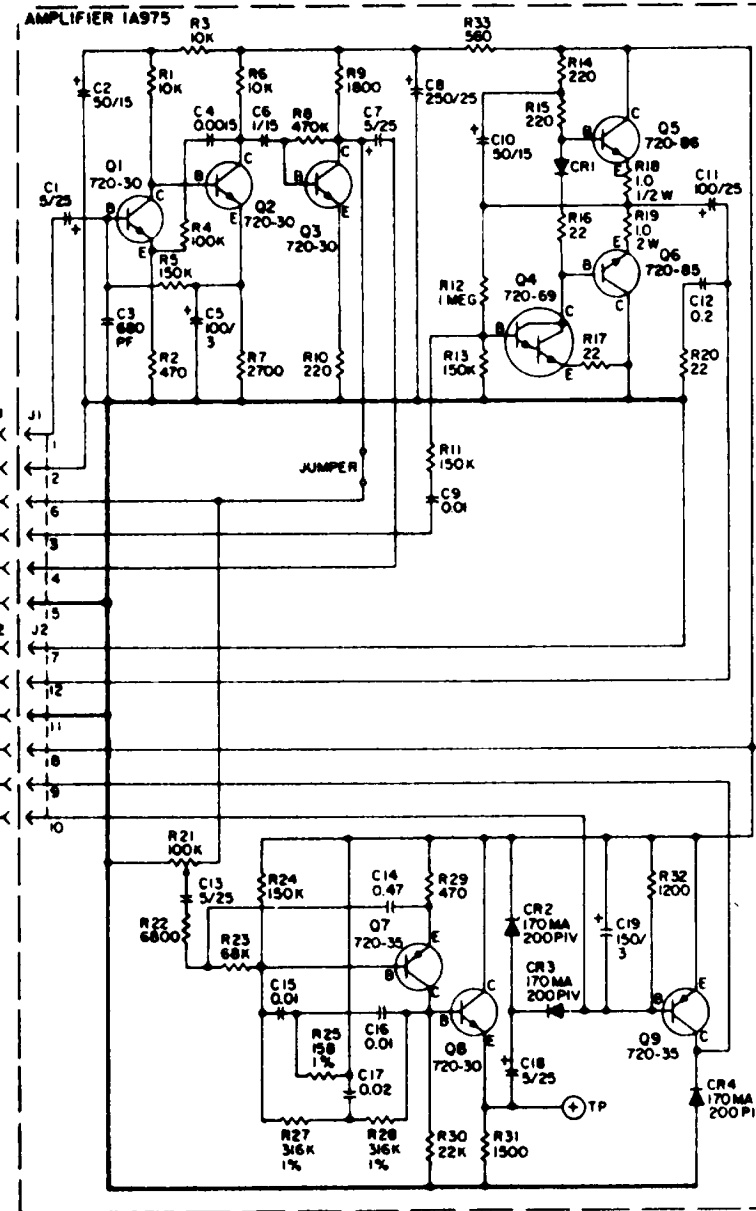
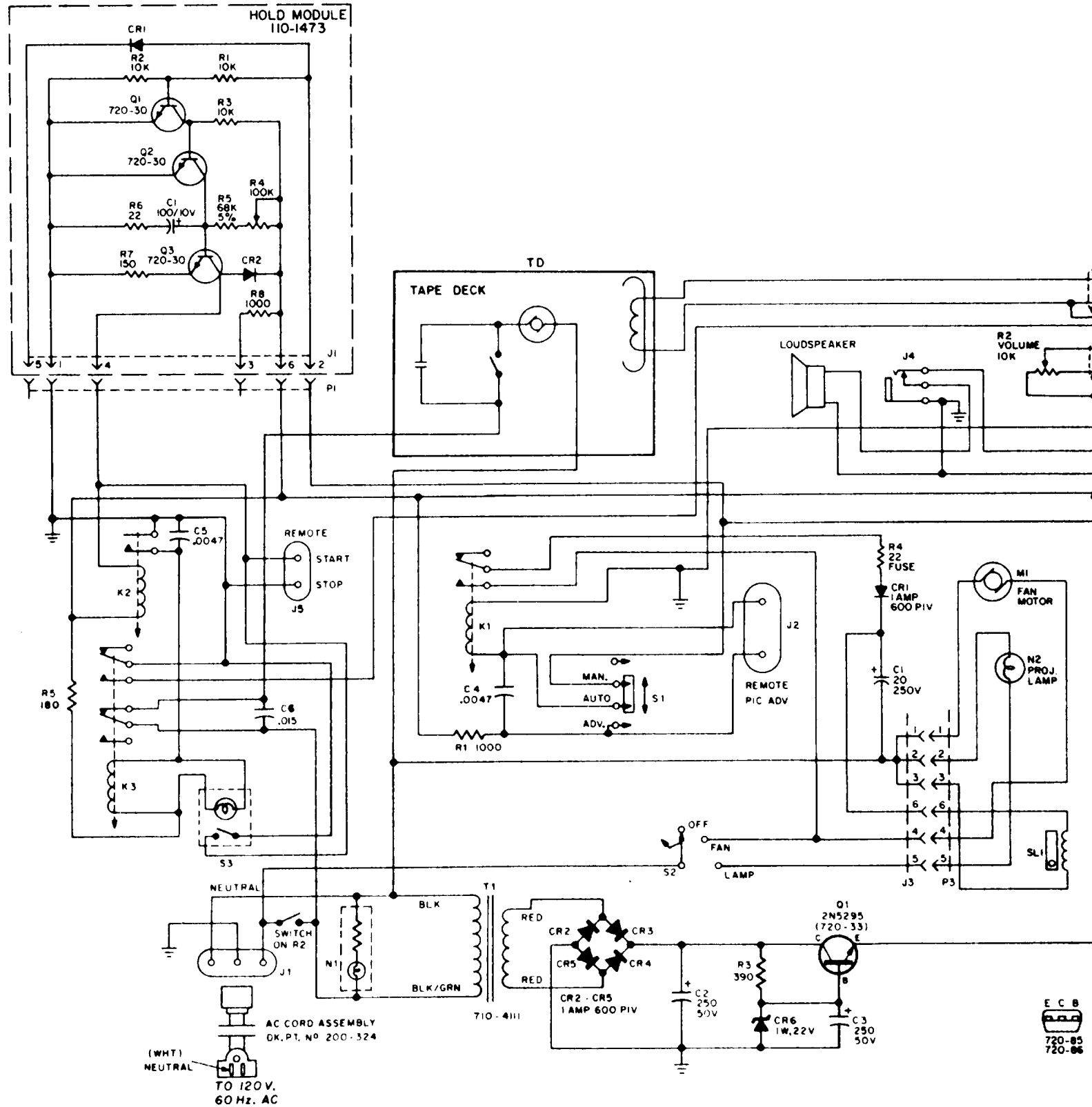


CASSETTE MICROMATIC SCHEMATIC

- NOTES:
- 1- ALL RESISTORS ARE 1/2 WATT
 - 2- TOLERANCES ON FIXED RESISTORS ± 10%
 - 3- RESISTANCE VALUES IN OHMS
K = 1000 OHMS, MEG = 1,000,000
 - 4- CAPACITANCE VALUES IN MICROFARADS



TO 120 V 60 HZ AC



- NOTES -**
 UNLESS OTHERWISE SPECIFIED -
 (1) ALL RESISTORS ARE 1/2 WATT.
 (2) TOLERANCE ON FIXED RESISTORS ±10%.
 (3) RESISTANCE VALUES IN OHMS.
 K=1000 OHMS, MEG=1,000,000 OHMS.
 (4) CAPACITANCE VALUES IN MICROFARADS.



CASSETTE MICROMATIC SCHEMATIC

LEGEND	DESCRIPTION	QTY.	PART NO.
C1	On I10-1473 Printed Circuit Board Capacitor	100	199-2058-107
CR1	Rectifier	1	595-44
CR2	Diode	1	230-8
J1	Connector	1	210-17-00006
Q1,2,3	Transistor	3	720-30
R1,2,3	Resistor	3	600-0080-103
R4	Potentiometer	1	601-1001-104
R5	Resistor	1	600-0073-683
R6	Resistor	1	600-0080-220
R7	Resistor	1	600-0080-151
R8	Resistor	1	600-0080-102