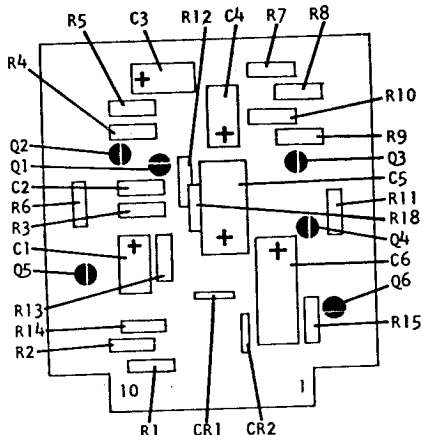


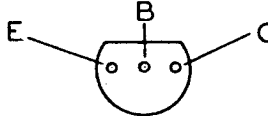
2N3391A

2N3904
2N3905

2N3904
2N3905



BOTTOM VIEW

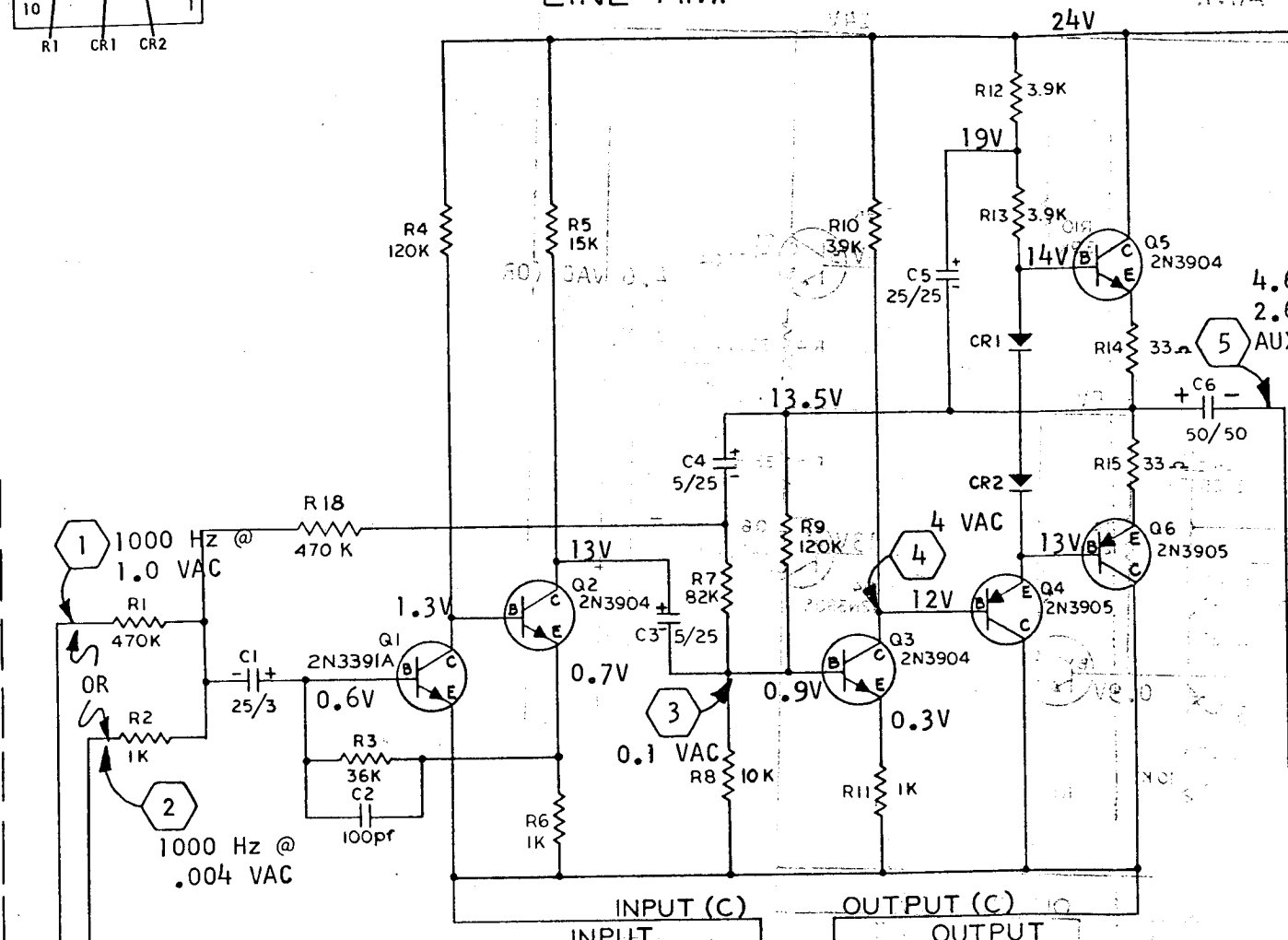


BOTTOM VIEW



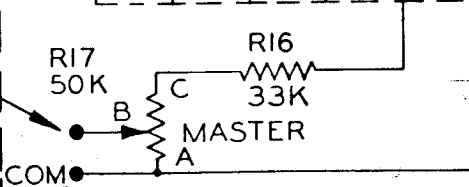
BOTTOM VIEW

MODEL 1A855
LINE AMP



COMMUNICATIONS SYSTEMS SERVICE MANUAL

INPUT FROM POINT "C" SEE INSTALLATION MANUAL #403-35



COM OUT (SHLD) 600- TO PIN 5 MODEL 99A376

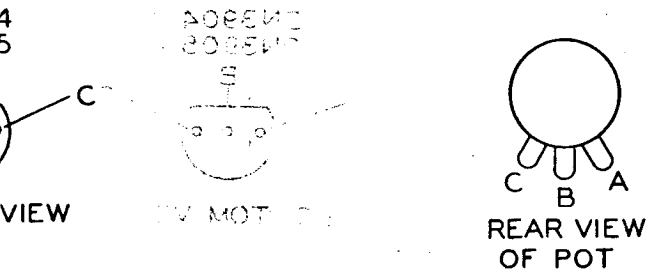
MATERIAL UNLESS OTHERWISE SPECIFIED

DuKa Corpora
ESTABLISHED 1948
ST. CHARLES, ILL.

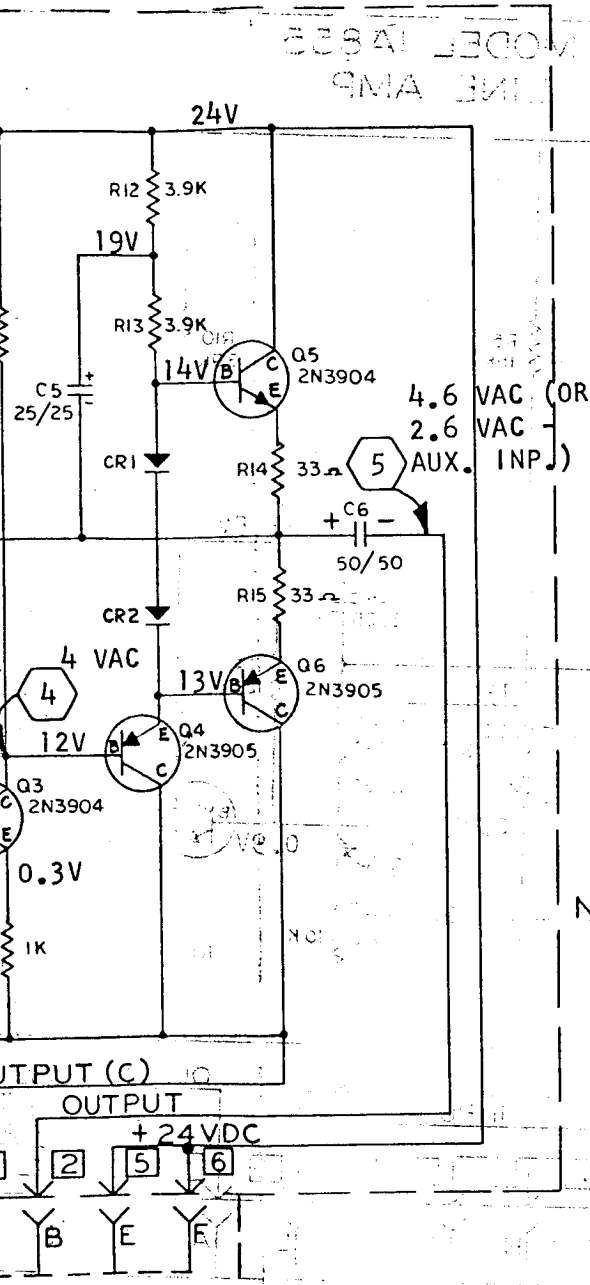
MODEL IA, IB855

190-1409

NO. REQ'D.	USED ON



LIST OF ELECTRICAL PARTS			
LEG.	DESCRIPTION	QTY.	PART NO.
C1	CAPACITOR 25/3	1	199-9133
C2	" 100pf	1	199-4009-101
C3 & 4	" 5/25	2	199-2021-505
C5	" 25/25	1	199-2021-256
C6	" 50/50	1	199-9195
CR1 & 2	DIODE	2	230-8
Q1	TRANSISTOR 2N3391A	1	720-2N3391A
Q2, 3 & 5	TRANSISTOR 2N3904	3	720-2N3904
Q4 & 6	" 2N3905	2	720-2N3905
R1, R18	RESISTOR 470K	2	600-0073-474
R2, 6 & 11	" 1K	3	600-0073-102
R3	" 36K	1	600-0073-363
R4 & 9	" 120K	2	600-0073-124
R5	" 15K	1	600-0073-153
R7	" 82K	1	600-0073-823
R8*	" 10K	1	600-0073-103
R10	" 39K	1	600-0073-393
R12 & 13	" 3.9K	2	600-0073-392
R14 & 15	" 33Ω	2	600-0073-330



AUXILIARY PARTS FOR MODEL IB855			
J1	RECEPTACLE	1	597-175
R16	RESISTOR 33K	1	600-0073-333
R17	" 50K VARIABLE	1	601-219

- NOTES:
- UNLESS OTHERWISE SPECIFIED:
 1. ALL FIXED RESISTORS ARE 1/2 WATT.
 2. TOLERANCES ON FIXED RESISTORS $\pm 5\%$.
 3. RESISTANCE VALUES IN OHMS.
K=1000 OHMS
 4. CAPACITANCE VALUES IN MICROFARADS.
 5. □ - INDICATES BOARD CONTACT NUMBERS TO RECEPTACLE.
 6. VOLTAGES ARE MEASURED WITH 20,000 OPV (5000 OPVAC) VOM.
 7. VOLTAGES MAY VARY $\pm 10\%$.

ISSUE	W A S	DATE	APPR.
04	ADD R18 RESISTOR JI DELETE WIRE J TO B	3-24-67	DK
03	RE WAS 91K 600-0073-912	2/28/67	DK
02	C2 WAS 199-9197	1-18-67	DK
01	ADD NOTE G Q1 WAS 2N3904 R16 WAS 600-0073-184 JI ADD WIRE J TO B C3 & 4 WAS 199-9118 C5 WAS 199-9228	11-18-66	DK

TO PIN 5
REL 99A376

AUX. PARTS

MATERIAL

UNLESS OTHERWISE SPECIFIED DECIMAL DIMENSIONS TO BE \pm .

FRACTIONAL DIMENSIONS TO BE \pm .

ANGLES TO BE \pm .

SCALE \sim

DATE 3-31-66

DRAWN BL

APP'D. DT

CHECKED

ENGR. DK

NO. 190-1409

ISSUE

DUKANE
Corporation
ESTABLISHED 1923
ST. CHARLES, ILLINOIS U.S.A.

SCHMATIC
LINE AMP
MODELS IA855 & IB855