

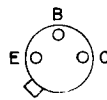
— BOTTOM VIEWS —



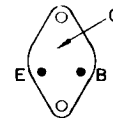
Q1, Q3 720-48 (2N5086)
 Q4 720-51 (MPS 6590)



Q2 720-69 (2N5306)



Q5, Q7 720-37 (2N3053)

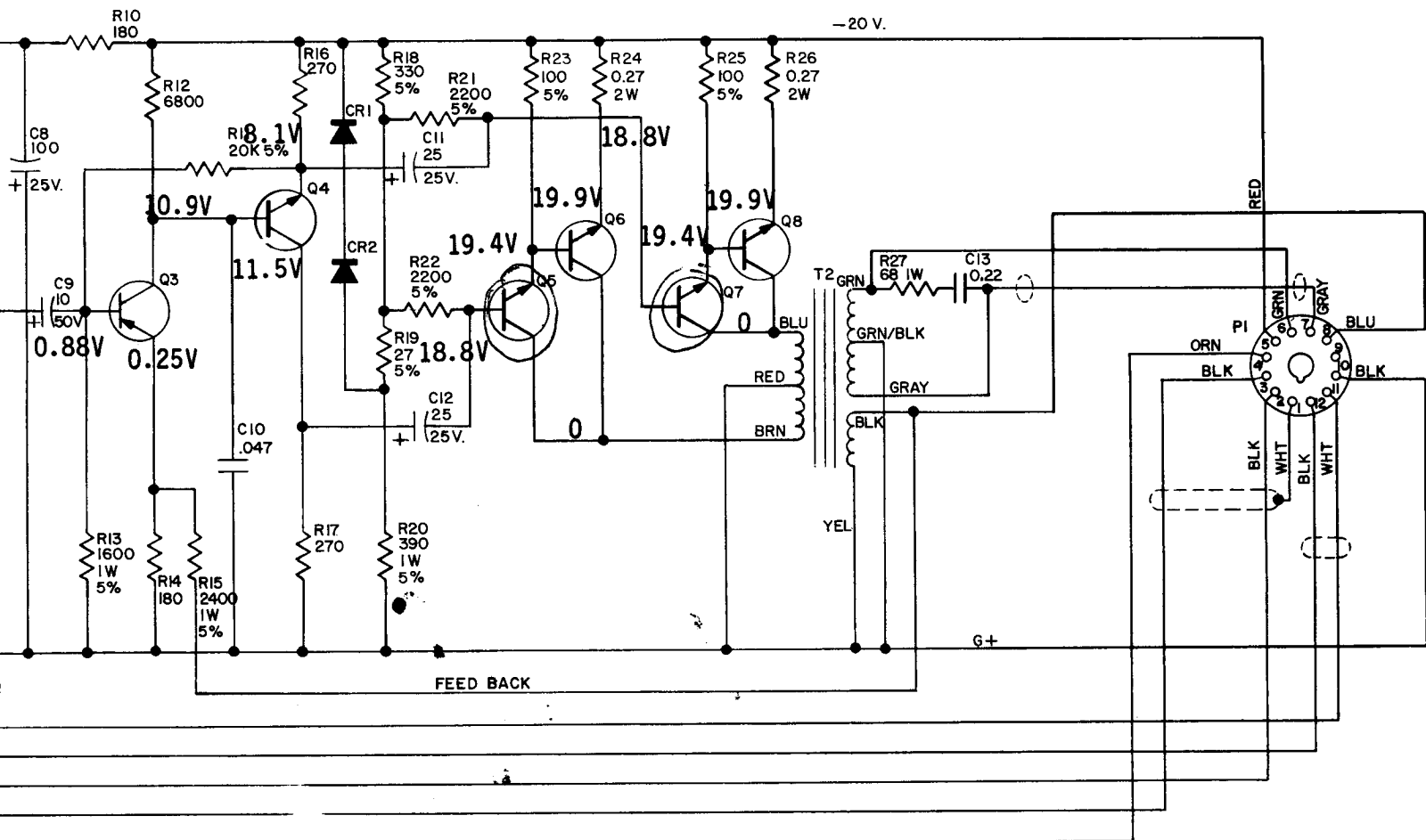


Q6, Q8 720-10 (2N3055)

2N 2145



ISS.	DESCRIPTION	APP'D



NOTES:

- UNLESS OTHERWISE SPECIFIED:
- 1) ALL RESISTORS ARE 1/2 WATT
- 2) TOLERANCES ON FIXED RESISTORS ± 10%
- 3) RESISTANCE VALUES IN OHMS
K = 1000 OHMS, MEG = 1,000,000 OHMS
- 4) CAPACITANCE VALUES IN MICROFARADS.
- 5) 720-10 TRANSISTORS MUST ALL BE OF THE SAME GRAIN GROUP. WHEN REPLACEMENT IS REQUIRED, BE SURE TO REPLACE ONLY WITH 720-10 OF SAME GRAIN GROUP AS OTHER OUTPUT TRANSISTORS.

6. VOLTAGES MEASURED WITH 20,000Ω/V VOM; MAY VARY ±10%. VOLTAGES MEASURED WITH 0 SIGNAL IN.

0-10 (2N3055)

MATERIAL		FINISH		UNLESS OTHERWISE SPECIFIED:		DIMENSIONS ARE IN INCHES		FRACTIONS: ±		2 PLACE DECIMAL: ±		3 PLACE DECIMAL: ±		ANGLE	
1A760		DUKANE		SCHEMATIC DIAGRAM		SCALE		DRAWN G.R.W.		APP'D		DATE DRAWN 6-26-73		NO. 190-1944	
APPLICATION		ST CHARLES, ILLINOIS 60174		10-WATT AMPLIFIER		MODEL 1A755 B		CHECKED RRS		ENGR. [Signature]		SHEET		OF	