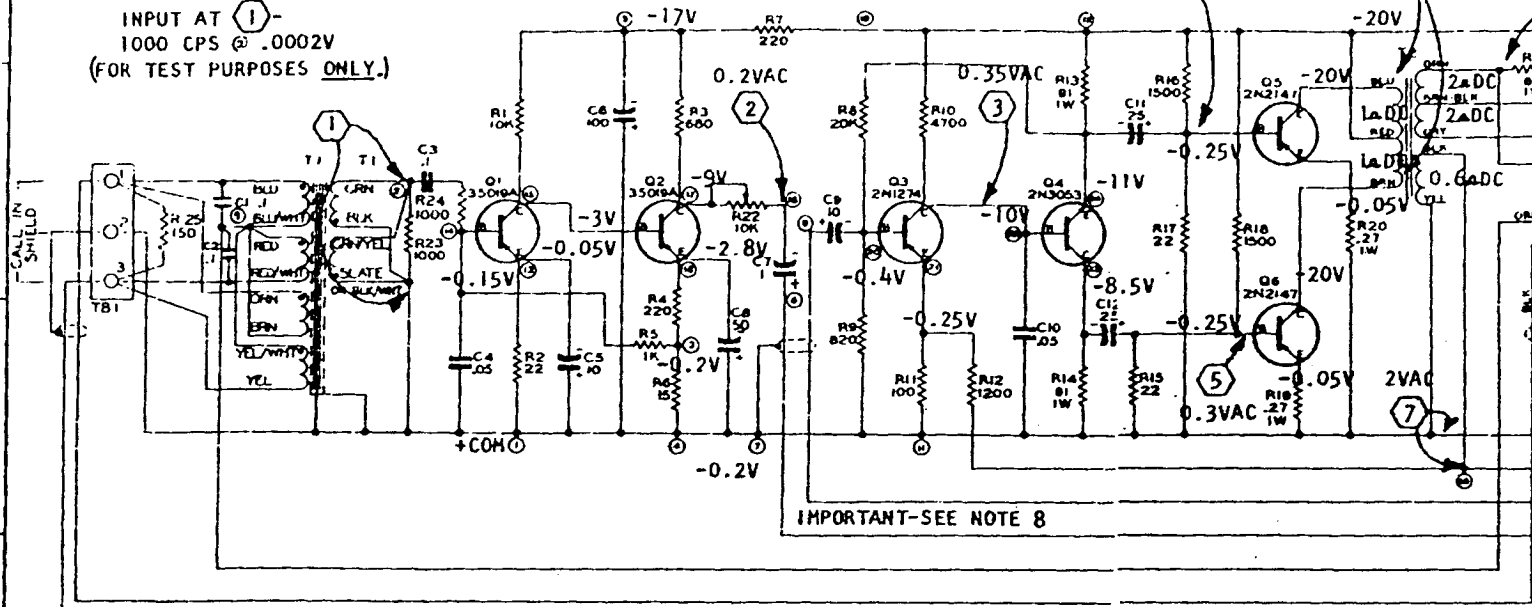
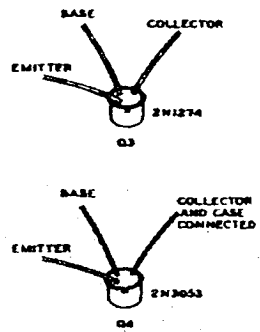


INPUT AT ① -  
1000 CPS @ .0002V  
(FOR TEST PURPOSES ONLY.)



IMPORTANT-SEE NOTE 8

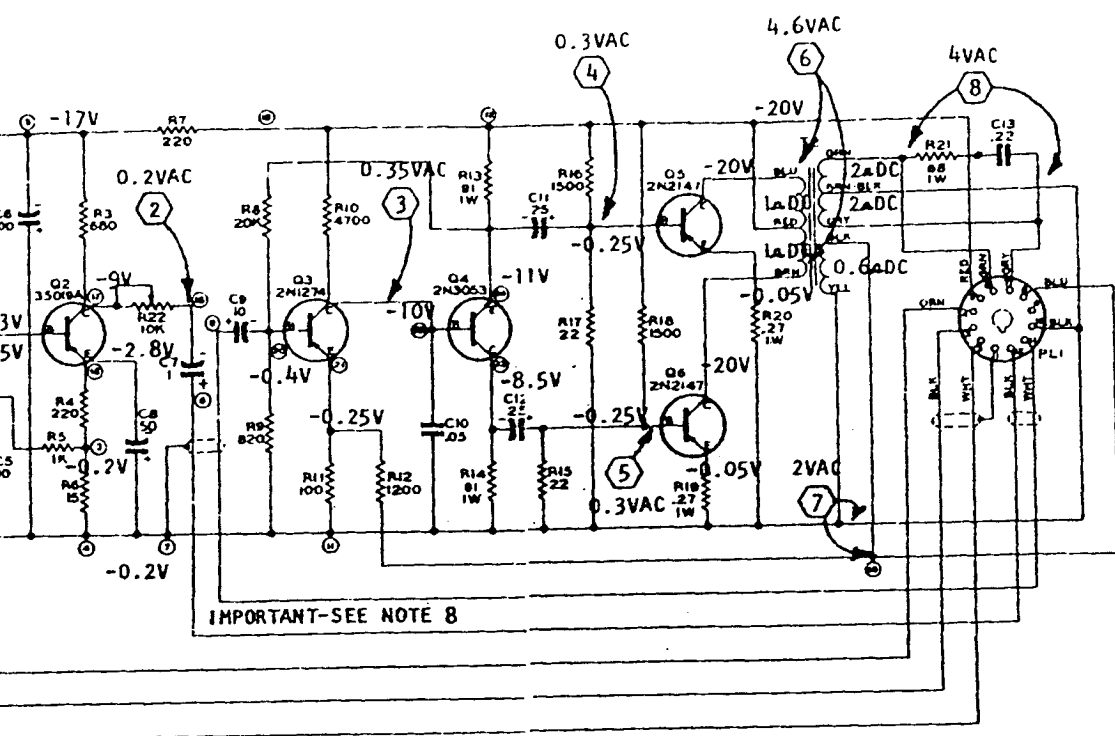
- NOTES
- UNLESS OTHERWISE SPECIFIED:
  1. ALL FIXED RESISTORS ARE 1/2 WATT.
  2. TOLERANCE ON RESISTORS ±10 %.
  3. RESISTANCE VALUES IN OHMS.
  4. CAPACITANCE VALUES IN MICROFARADS.
  5. ○ INDICATES NUMBERED TERMINAL ON PARTS MOUNTING BOARD.
  6. DC VOLTAGES MADE WITH 20,000 OPV (5000 OPV AC) VOM.
  7. DC VOLTAGES MEASURED TO +COMMON.
  8. UNLESS AMPLIFIER IS TESTED IN-CIRCUIT WITH 1A760 I.C. VOLUME CONTROL, BE SURE TO CONNECT 1000-OHM RESISTOR BETWEEN ⑥ AND +COMMON, AND CONNECT ⑥ TO ⑧. FOR IN-CIRCUIT TEST, SET I.C. VOLUME TO MAX.
  9. AC OUTPUT MEASURED TO +COMMON. AC VOLTAGES ARE LESS THAN OBTAINED AT FULL RATED OUTPUT AND ARE FOR TEST PURPOSES ONLY.



1	1A755A
2	1958

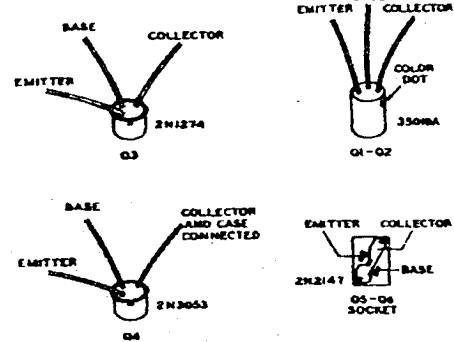
COMMUNICATIONS SYSTEMS SERVICE MANUAL

LEG	DESCRIPTION	QTY	PART NO.
C12,3	CAPACITOR 30V	3	899-9124
C7	" 25V	1	898-2048-103
C4,10	" 50V	2	899-9101
C5,8	" 10V	2	898-2046-106
C6	" 15V	1	899-2046-107
C11,12	" 25V	2	898-2021-256
C13	" 7V	1	898-4043-224
C8	" 50V	1	899-2046-506
PL1	PLUG	1	570-118
R1	RESISTOR 10K	1	800-0080-103
R2,5,7	" 22	3	800-0080-220
R3	" 680	1	800-0080-021
R4,7	" 270	2	800-0080-221
R5,23	" 1K	3	800-0080-102
R6	" 15	1	800-0080-150
R8	" 20K 5%	1	800-0073-200
R10	" 4700	1	800-0080-472
R11	" 100	1	800-0080-101
R12	" 1200	1	800-0080-122
R13,18	" 1500	2	800-0080-152
R19,20	" 27 1W	2	800-8048
R21	" 88 1W	1	800-0118-880
R9	" 820 5%	1	800-0073-821
R13,14	" 81 5% 1W	2	800-0110-810
R22	" 10K VARIABLE	1	801-241
T81	TERMINAL STRIP	1	703-234
R25	RESISTOR 150	1	800-0080-151
T1	TRANSFORMER INPUT	1	710-3080
T2	" OUTPUT	2	710-2104
Q1,2	TRANSISTOR 35010A	2	720-3508A
Q3	" 2N1274	1	720-2N1274
Q5,8	" 2N2147	2	720-2N2147
Q4	" 2N3053	1	720-2N3053



IMPORTANT-SEE NOTE 8

- PL1:  
 PIN 1 INPUT SHIELD  
 2 } INPUT  
 3 }  
 4 INPUT TRANSFORMER CENTER TAP  
 5 POWER SUPPLY HI (-20V)  
 6 } -25 VOLT OUTPUT  
 7 }  
 8 LOW Z OUTPUT  
 9 N.C.  
 10 POWER SUPPLY GROUND (+)  
 11 HI END (EXT. VOL. CONT.)  
 12 CENTER TAP (EXT. VOL. CONT.)



...TING BOARD.  
 (5000 OPV AC) VOM.  
 ...CUIT WITH 1A760  
 ...CONNECT 1000-OHM  
 ...AND CONNECT 6  
 ...I.C VOLUME TO MAX.  
 ...VOLTAGES ARE  
 ...OUTPUT AND ARE

1A755A  
 DUKANE Corporation  
 SCHEMATIC DIAGRAM  
 MODEL 1A755A  
 10 WATT AMPLIFIER  
 5-3-67  
 190-1590