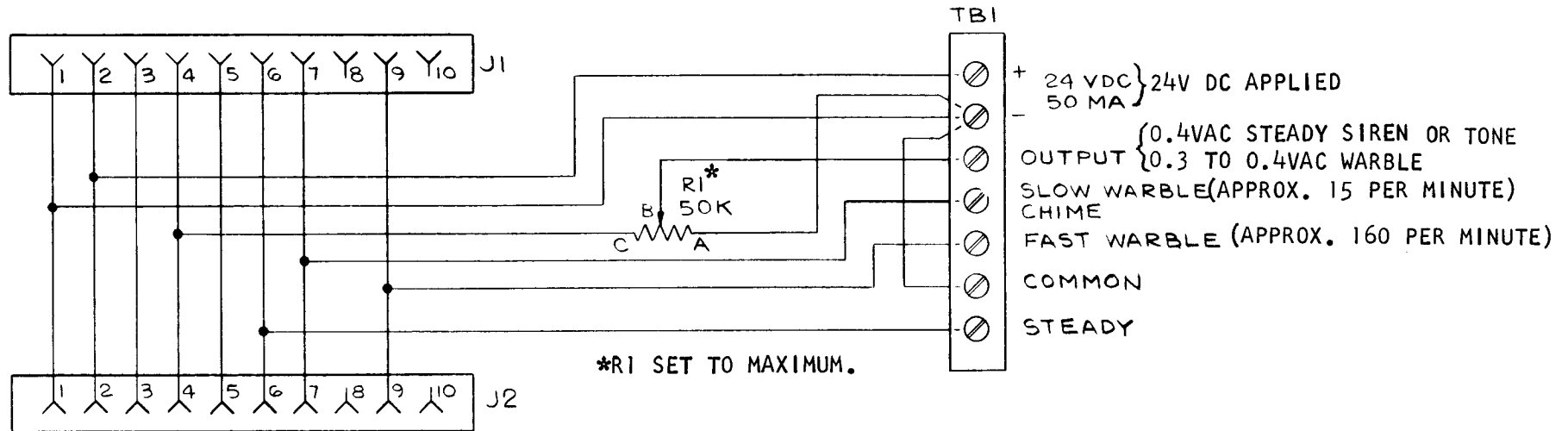
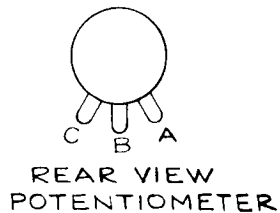


190-1687	
NO. REQ'D.	USED ON
	15A265

404-696



FOR 110-1075 MASTER SIREN OSC. SEE SCHEMATIC DGM. 190-1684.
 FOR 110-1076 DUAL SIREN MODULATOR SEE SCHEMATIC DGM. 190-1683.
 FOR 110-1077 STEADY TONE OSC. SEE SCHEMATIC DGM. 190-1685.
 FOR 110-1078 CHIME DECAY AMPL. SEE SCHEMATIC DGM. 190-1686.



MATERIAL	FINISH	ISSUE	W A S	DATE	APPR.
UNLESS OTHERWISE SPECIFIED DECIMAL DIMENSIONS TO BE ± .		FRACTIONAL DIMENSIONS TO BE ±		ANGLES TO BE ±	

DuKANE
Corporation
ESTABLISHED 1922
ST. CHARLES, ILLINOIS U.S.A.

SCHEMATIC DIAGRAM
MODEL 110-1074
TONE GEN. CHASSIS ASSY

SCALE	DATE	5-14-69
DRAWN <i>WLS</i>	APP'D. <i>WLS</i>	NO. 190-1687 - 00
CHECKED	ENGR. <i>WLS</i>	

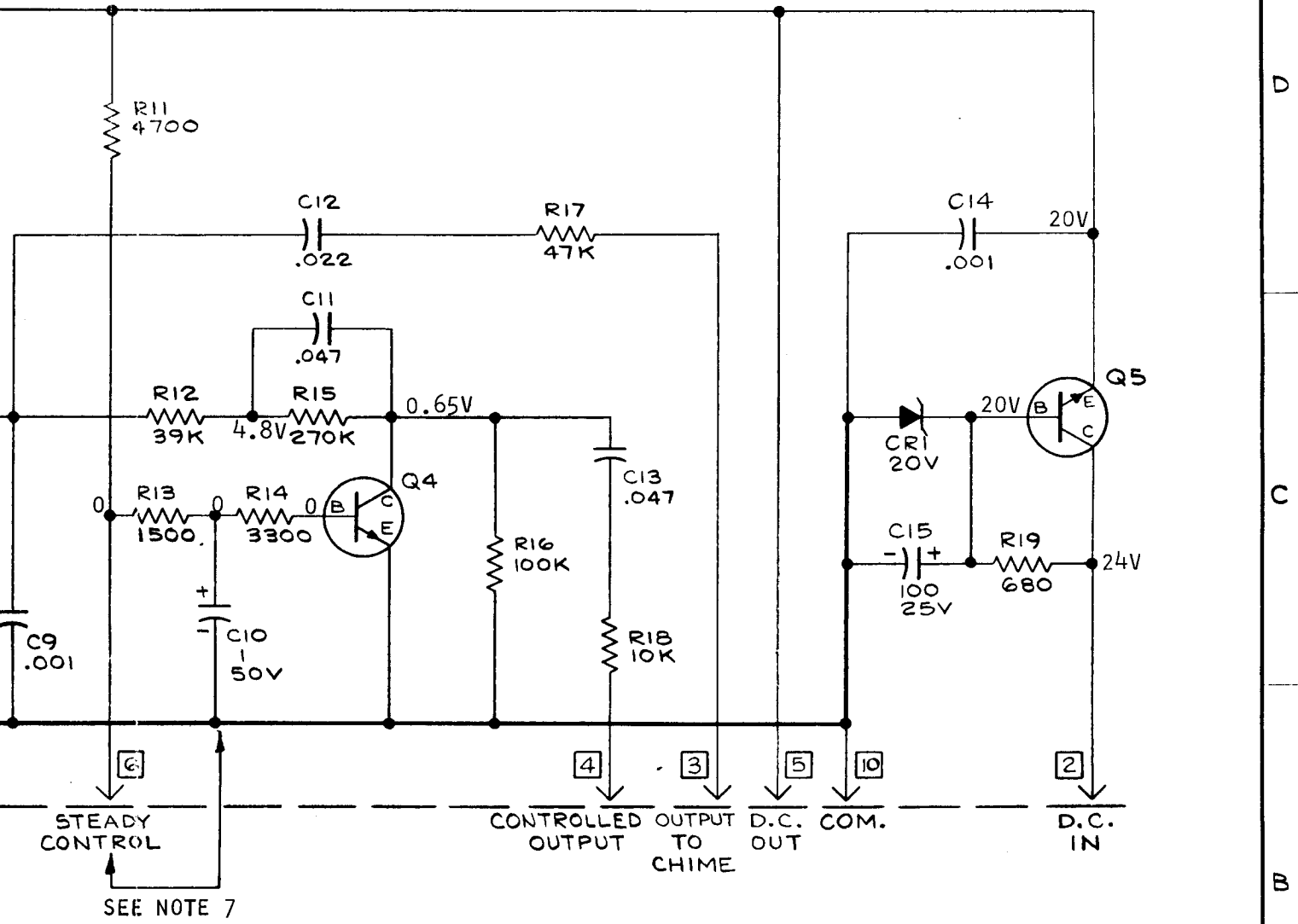
15A265

077

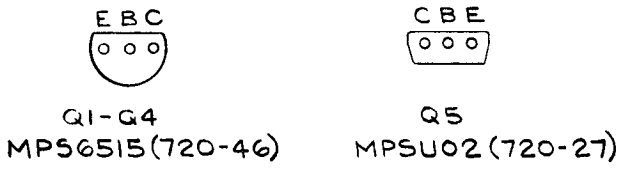
3

2

190-1685	
NO. REQ'D.	USED ON
	15A265



BOTTOM VIEWS



ONE,

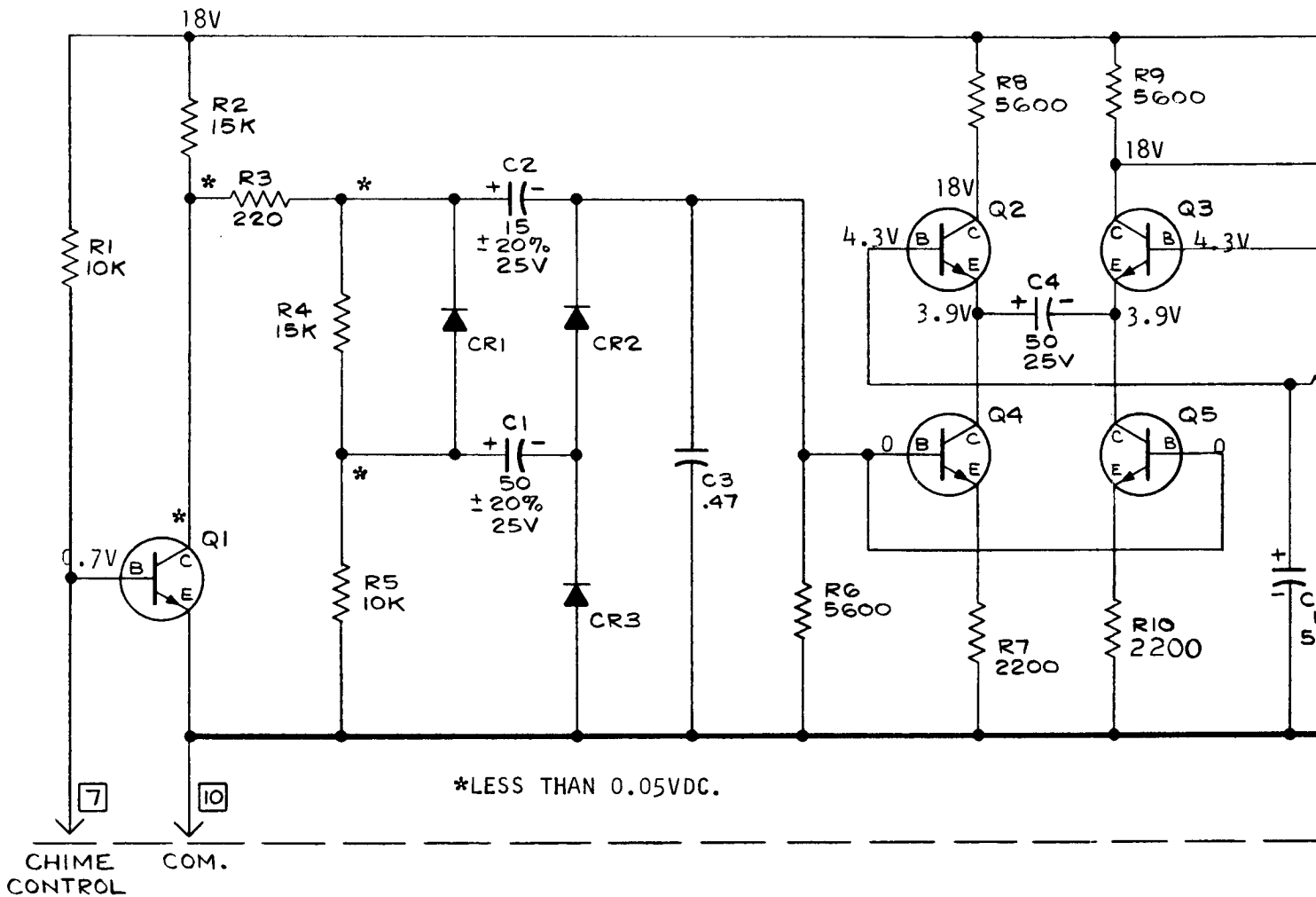
MATERIAL		FINISH							
UNLESS OTHERWISE SPECIFIED DECIMAL DIMENSIONS TO BE ±.		FRACTIONAL DIMENSIONS TO BE ±		ANGLES TO BE ±		ISSUE	W A S	DATE	APPR.
DUKANE Corporation ESTABLISHED 1922 ST. CHARLES, ILLINOIS U.S.A.		SCHEMATIC DIAGRAM MODEL 110-1077 STEADY TONE OSC.				SCALE	DATE 5-19-69		
		DRAWN <i>WJ</i>		APP'D. <i>De</i>		NO. 190-1685-00			
		CHECKED		ENGR. <i>Flann</i>		ISSUE			

3

2

1

D
C
B
A



NOTES:

UNLESS OTHERWISE SPECIFIED

1. ALL FIXED RESISTORS ARE 1/2 WATT.
2. TOLERANCES ON ALL FIXED RESISTORS $\pm 10\%$.
3. RESISTANCE VALUES IN OHMS
K=1000 OHMS.
4. CAPACITANCE VALUES IN MICROFARADS.
5. \square DENOTES BOARD CONTACT NUMBERS.
6. DC VOLTAGES MEASURED WITH 20,000 Ω /V VOM; MAY VARY $\pm 10\%$.
7. DC VOLTAGES MEASURED WITH 24VDC APPLIED, CONNECTED FOR STEADY TONE,
POTENTIOMETER SET FOR MAXIMUM (APPROX. 0.4VAC OUTPUT).

COMMUNICATIONS SYSTEMS SERVICE MANUAL

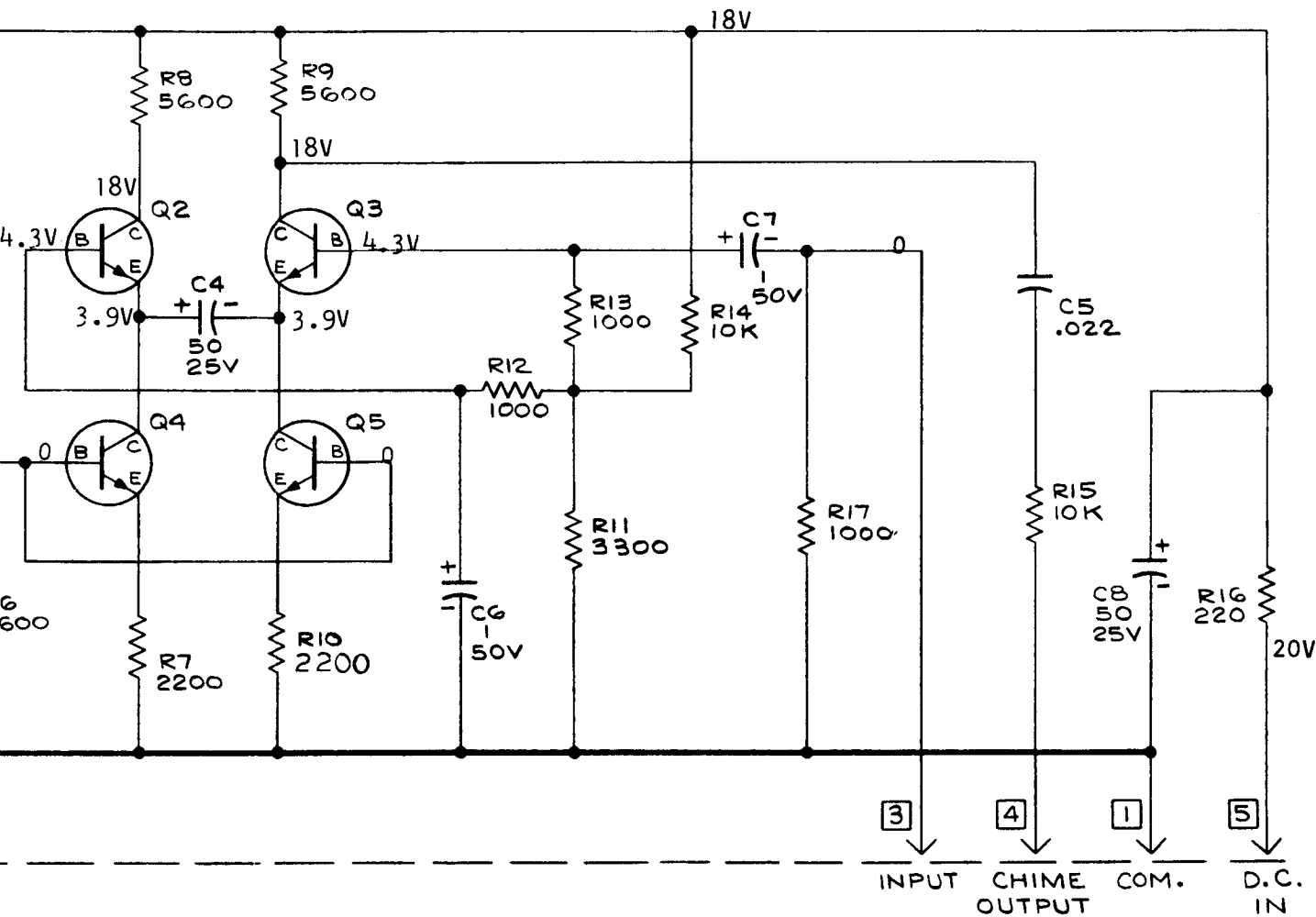
MATERIAL

UNLESS OTHERWISE SPECIFIED DECIDE

DuKan
Corporation

ESTABLISHED 1922
ST. CHARLES, ILLINOIS U.S.A.

NO. REQ'D.	USED ON
	15A265



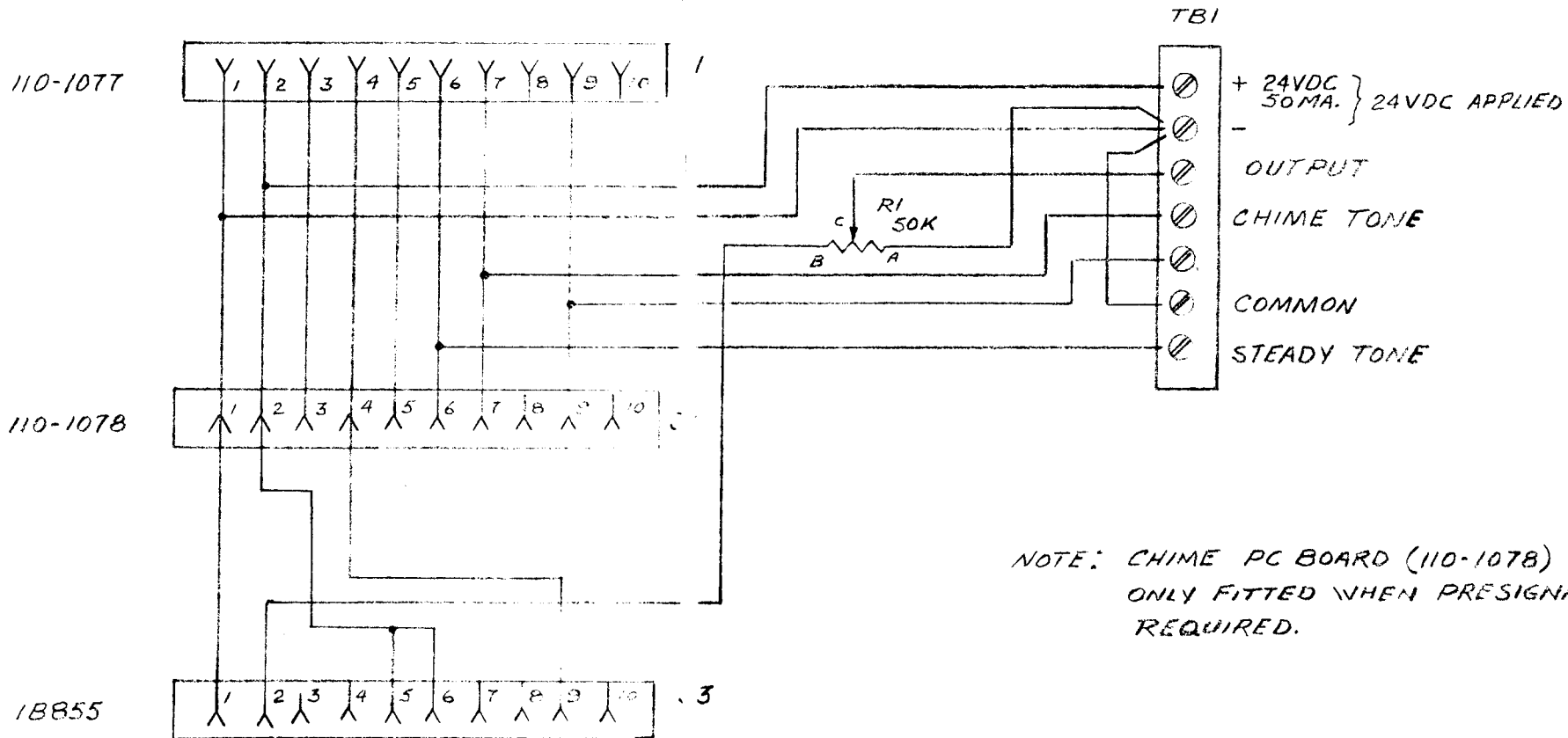
BOTTOM VIEW



Q1-Q5
MPS6515 (720-46)

ADY TONE,

MATERIAL	FINISH	SCALE	DATE	ISSUE	W A S	DATE	APPR.
UNLESS OTHERWISE SPECIFIED DECIMAL DIMENSIONS TO BE ± .		FRACTIONAL DIMENSIONS TO BE ±	ANGLE TO BE ±			5-15-69	
DUKANE Corporation ESTABLISHED 1922 ST. CHARLES, ILLINOIS U.S.A.		SCHEMATIC DIAGRAM MODEL 110-1078 CHIME DECAY AMPLIFIER		DRAWN <i>Ed</i> CHECKED	APP'D. <i>Doc</i> ENGR. <i>John</i>	NO. 190-1686-00	ISSUE



NOTE: CHIME PC BOARD (110-1078)
 ONLY FITTED WHEN PRESIGNAL
 REQUIRED.