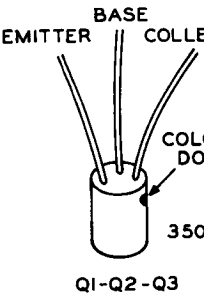


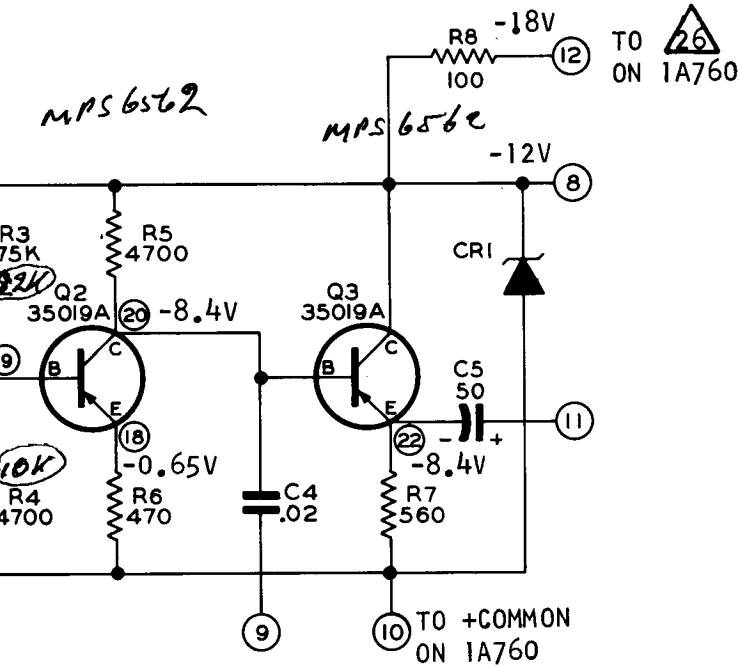
TO USE SILICON TRANSISTORS
 CHANGE R3 - R4
 82K - 10K

NOTES:

- UNLESS OTHERWISE SPECIFIED:
1. ALL FIXED RESISTORS ARE 1/2 WATT.
 2. TOLERANCES ON FIXED RESISTORS $\pm 10\%$.
 3. RESISTANCE VALUES IN OHMS.
K = 1000 OHMS
 4. CAPACITANCE VALUES IN MICROFARADS.
 5. \bigcirc - INDICATES TYPICAL TERMINAL BOARD LUG DESIGNATIONS.

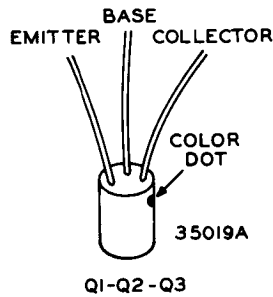


NO. REQ'D.	USED ON
	1A760
	19A100
	19A105



LIST OF ELECTRICAL PARTS			
LEG.	DESCRIPTION	QTY	PART NO.
	C1,2 CAPACITOR 25 6V.	2	199-2013-256
	C3,4 " .02 200V.	2	199-4013-203
	C5 " 50 25V	1	199-2017-506
01	CR1 DIODE - ZENER 12V 1ZFI2T10	1	230-10
	R1 RESISTOR 470K	1	600-0080-474
	R2 " 10K	1	600-0080-103
	R3 " 75K ± 5%	1	600-0073-753
	R4,5 " 4700	2	600-0080-472
	R6 " 470	1	600-0080-471
	R7 " 560	1	600-0080-561
	R8 " 100	1	600-0080-101
	Q1,2,3 TRANSISTOR 35019A	3	720-35019A

FOR S



FOR APPLICATION, SEE SCH. DIAG. NO.
 190-1244 FOR MODEL 1A760
 190-1231 FOR MODEL 19A100, OR
 190-1256 FOR MODEL 19A105

MATERIAL	FINISH	01 ADDED R8 & CR1	2-26-66	<i>Dr</i>
UNLESS OTHERWISE SPECIFIED DECIMAL DIMENSIONS TO BE ± .	FRACTIONAL DIMENSIONS TO BE ±	ANGLES TO BE ±	ISSUE	W A S
DUKANE Corporation ESTABLISHED 1922 ST. CHARLES, ILLINOIS U.S.A.		SCALE → DATE 2-27-64		01
SCHEMATIC DIAGRAM MODEL 110-800		DRAWN <i>AW</i> APP'D. <i>ec</i> CHECKED ENGR. <i>ec</i>	NO. 190-1252	
				ISSUE