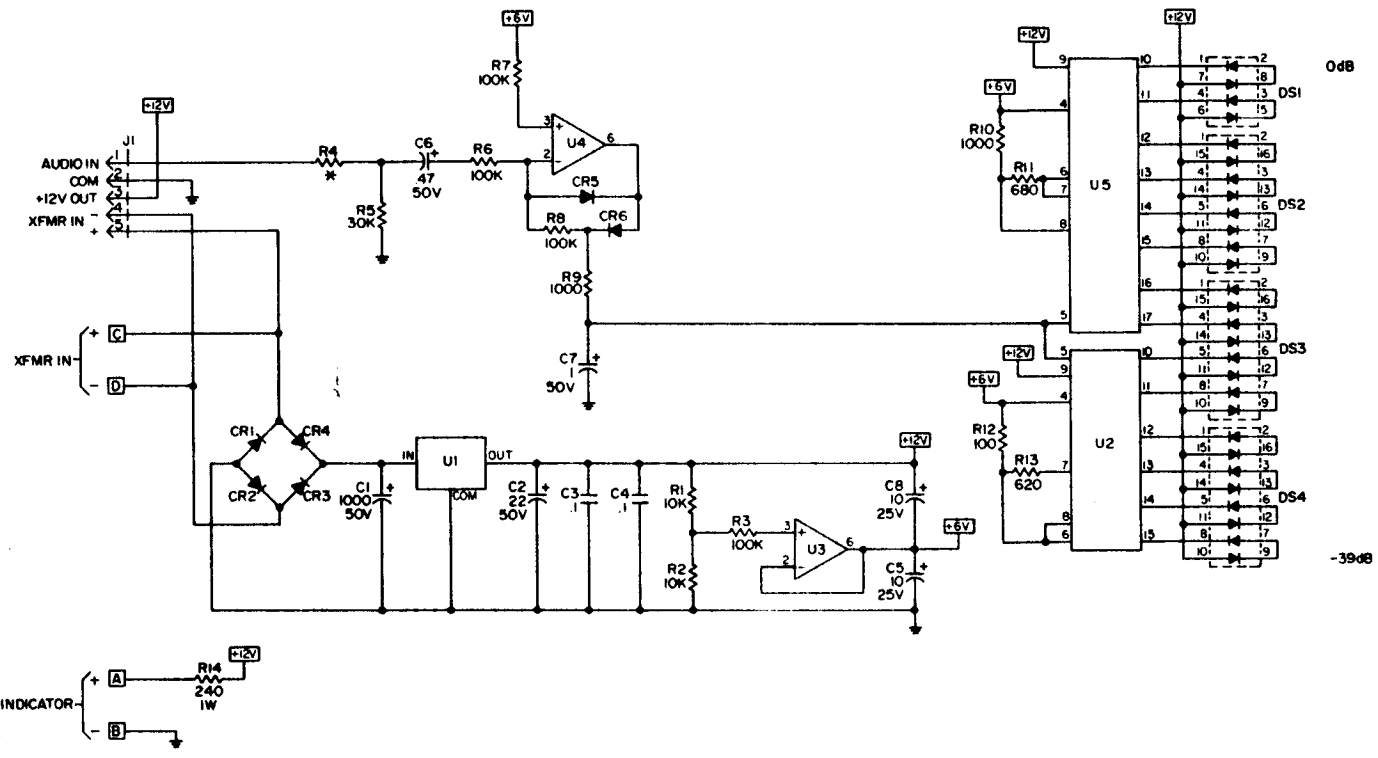


REVISIONS

ISS.	DESCRIPTION	APP'D	DATE

7
4-10

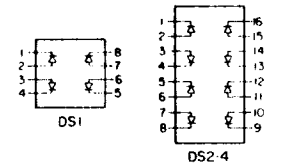


NOTES:
UNLESS OTHERWISE SPECIFIED-
1. RESISTORS ARE IN OHMS, 1/4 W, ±5%.
CAPACITORS ARE IN MICROFARADS.
* 2. R4 VALUES AS FOLLOWS:
110-3147 - 270K, 1/4 W, 5% (600-0039-274)
110-3148 - 180K, 1/4 W, 5% (600-0039-184)
110-3149 - 120K, 1/4 W, 5% (600-0039-124)

SYMBOLS:
1. ← DENOTES MALE CONNECTOR.
2. □ DENOTES LUG.

DES	LAST USED	NOT USED
RES	R14	
CAP	C8	
DIODE	CR6	
DISPLAY	DS4	
INT GKT	U5	
CONN	J1	
LUGS	D	

DES	TYPE	PART No	+12V	GND
U1	LM340T12	408-39	-	-
U3,4	MC1741	408-18	7	4
U2,5	LM3915	408-86	3	2



MATERIAL			FINISH		
UNLESS OTHERWISE SPECIFIED:	DIMENSIONS ARE IN INCHES	FRACTIONS: ±	2 PLACE DECIMAL: ±	3 PLACE DECIMAL: ±	ANGLES: ±
REQ.	NEXT ASSY	FIRST USED	DUKANE SCHEMATIC DIAGRAM METER BD ST CHARLES ILLINOIS 60174 110-3151		
APPLICATION					
DRAWN LAF			SCALE	DATE DRAWN 3-13-84	
CHECKED O/P			APP'D	NO. 190-2804	
			ENGR.	SHEET OF 11	

Repair Parts List - 110-3151 Meter Board
(Schematic Drawing 190-2804)

Legend	Description	Dukane Part Number
C1	Capacitor, 1000uF, 50V, Electrolytic	199-2062-108
C2	Capacitor, 22uF, 50V, Electrolytic	199-2062-226
C3, 4	Capacitor, 0.1uF, 50V, Disc	199-9327
C5, 8	Capacitor, 10uF, 25V, Electrolytic	199-2063-106
C6	Capacitor, 0.47uF, 50V, Electrolytic	199-2062-474
C7	Capacitor, 0.1uF, 50V, Electrolytic	199-2062-105
CR1-6	Rectifier, Silicon	595-44
DS1	Diode LED Display pcb	230-8017-201
DS2	Diode LED Display pcb	230-8017-408
DS3, 4	Diode LED Display pcb	230-8017-414
R1, 2	Resistor, 10k Ohm, 1/4W, 5%	600-0039-103
R3, 6, 7, 8	Resistor, 100k Ohm, 1/4W, 5%	600-0039-104
R4	Resistor, 270k Ohm, 1/4W, 5%	600-0039-274
R5	Resistor, 30k Ohm, 1/4W, 5%	600-0039-303
R9, 10	Resistor, 1k Ohm, 1/4W, 5%	600-0039-102
R11	Resistor, 680 Ohm, 1/4W, 5%	600-0039-681
R12	Resistor, 100 Ohm, 1/4W, 5%	600-0039-101
R13	Resistor, 620 Ohm, 1/4W, 5%	600-0039-621
R14	Resistor, 240 Ohm, 1W, 5%	600-0110-241
U1	Integrated Circuit, LM340T12.0	408-39
U2, 5	Integrated Circuit, LM3915	408-86
U3, 4	Integrated Circuit, MC1741SCP1	408-18

