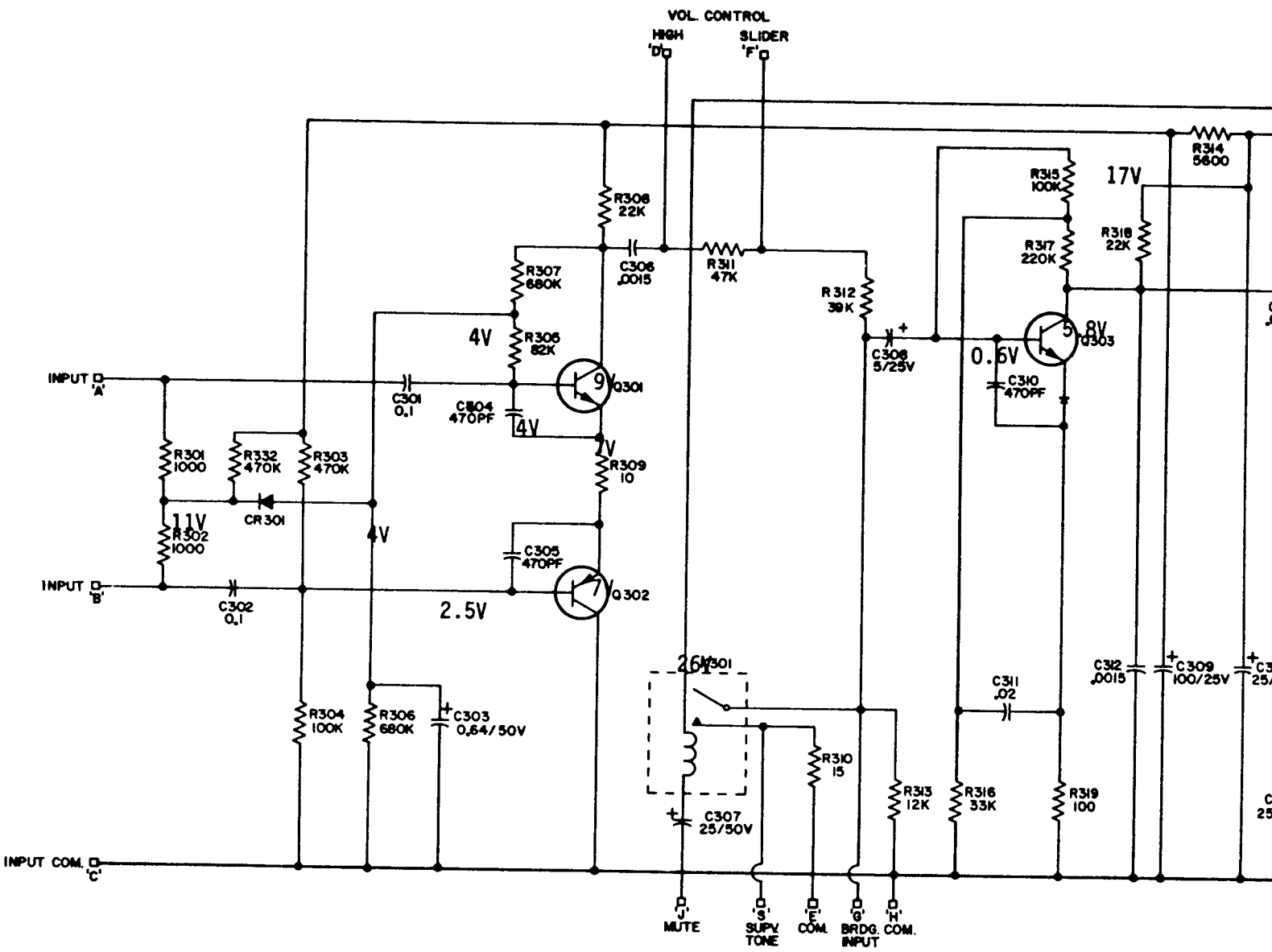


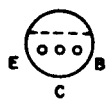
REPAIR PARTS LIST

110-1293

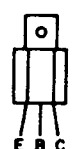
| LEGEND | DESCRIPTION | DUKANE PART NUMBER |
|------------------------|--|--------------------|
| C301, C302 | Capacitor, 0.1 μ F, 200-volt film | 199-4046-104 |
| C303 | " , 0.64 μ F, 50 WVDC 'lytic | 199-2048-644 |
| C304, C305, C310 | " , 470 pF, 1000-volt ceramic disc | 199-1014-471 |
| C306, C312 | " , .0015 μ F, 500-volt ceramic disc | 199-1002-152 |
| C307, C313 | " , 25 μ F, 50 WVDC 'lytic | 199-2048-256 |
| C308 | " , 5 μ F, 25 WVDC 'lytic | 199-2021-505 |
| C309 | " , 100 μ F, 25 WVDC 'lytic | 199-2021-107 |
| C311, C119 | " , .02 μ F, 100-volt ceramic disc | 199-1012-203 |
| C314, C316 | " , 25 μ F, 25 WVDC 'lytic | 199-2021-256 |
| C315 | " , .005 μ F, 100-volt ceramic disc | 199-1012-502 |
| C317 | " , 100 pF, 500-volt ceramic disc | 199-1009-101 |
| C318 | " , 150 μ F, 35 WVDC 'lytic | 199-2035-157 |
| CR301, CR302 | Diode, silicon, 1N4385; 600 PIV | 595-44 |
| K301 | Relay, reed type, form A | 596-188 |
| Q301, Q303 | Transistor, NPN; 2N5088 | 720-49 |
| Q302 | " , PNP; 2N5086 | 720-48 |
| Q304 | " , PNP; 2N5232A | 720-30 |
| Q305 | " , PNP; MPS U56 | 720-58 |
| Q306 | " , NPN; D42C5 (red) | 720-61 |
| Q307 | " , PNP; D43C5 (green) | 720-62 |
| R301, R302 | Resistor, 1000 ohms, 1/2 watt | 600-0080-102 |
| R303, R332 | " , 470,000 ohms, 1/2 watt | 600-0080-474 |
| R304, R315 | " , 100,000 ohms, 1/2 watt | 600-0080-104 |
| R305 | " , 82,000 ohms, 1/2 watt | 600-0080-823 |
| R306, R307 | " , 680,000 ohms, 1/2 watt | 600-0080-684 |
| R308, R318 | " , 22,000 ohms, 1/2 watt | 600-0080-223 |
| R309 | " , 10 ohms, 1/2 watt | 600-0080-010 |
| R310, R326 | " , 15 ohms, 1/2 watt | 600-0080-150 |
| R311 | " , 47,000 ohms, 1/2 watt | 600-0080-473 |
| R312 | " , 39,000 ohms, 1/2 watt | 600-0080-393 |
| R313 | " , 12,000 ohms, 1/2 watt | 600-0080-123 |
| R314, R320 | " , 5600 ohms, 1/2 watt | 600-0080-562 |
| R316, R324 | " , 33,000 ohms, 1/2 watt | 600-0080-333 |



Q301, Q302 - 2N5088 (720-49)
 Q302 - 2N5086 (720-48)



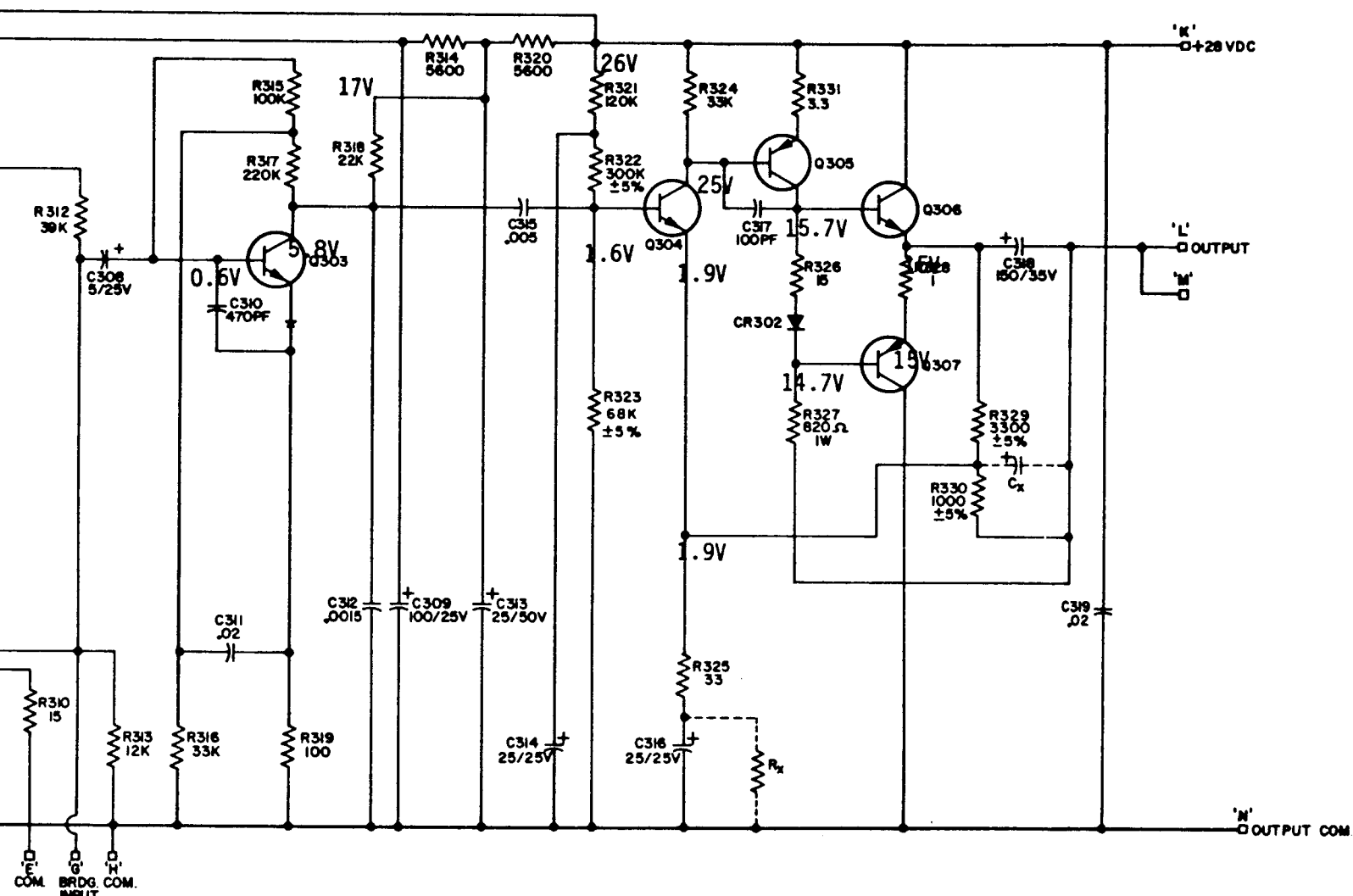
Q304 - 2N5232A (720-30)



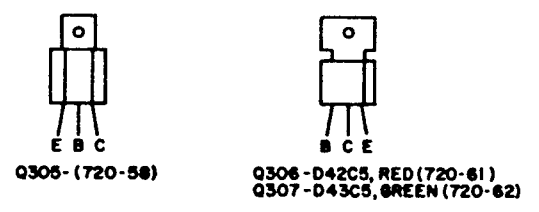
Q305 - (720-58)



Q306 - D42C5,
 Q307 - D43C5



(720-30)

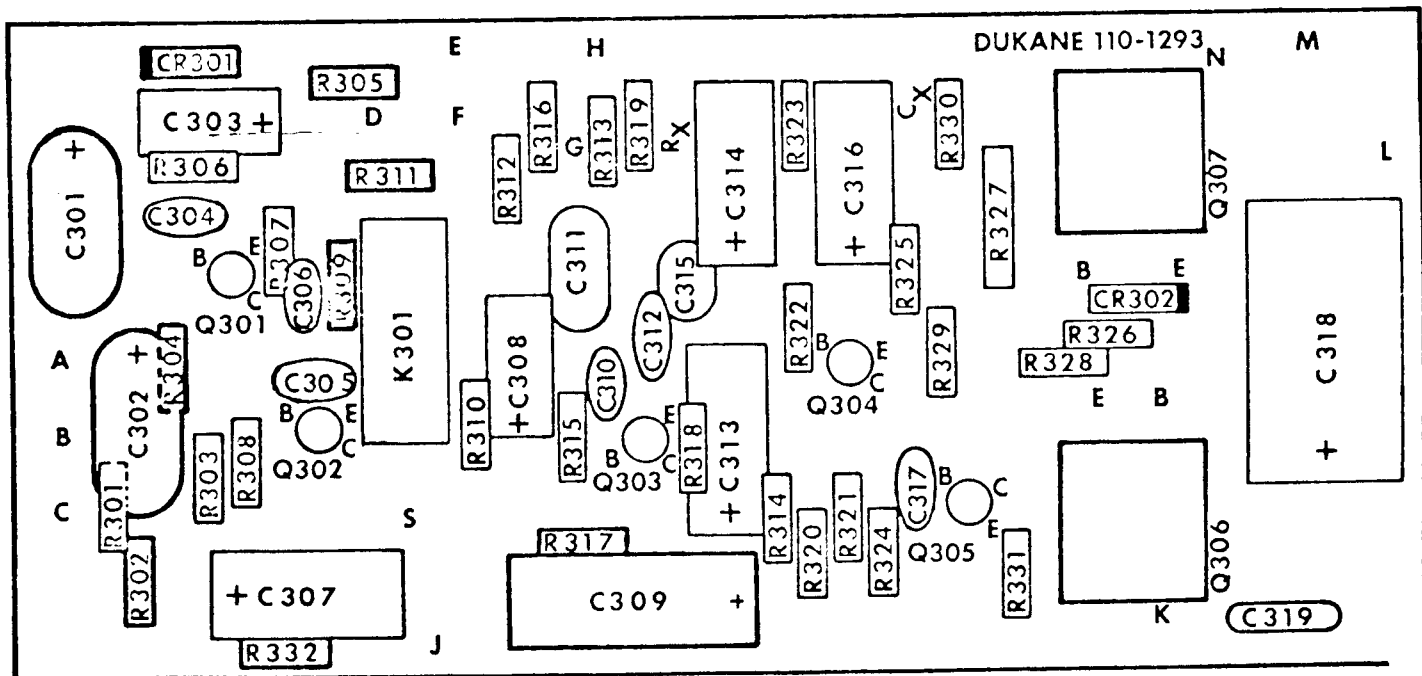


- NOTES:
 UNLESS OTHERWISE SPECIFIED:
 1. ALL FIXED RESISTORS ARE 1/2 WATT.
 2. TOLERANCES ON ALL FIXED RESISTORS ±10%.
 3. RESISTANCE VALUES IN OHMS. K=1000 OHMS
 4. CAPACITANCE VALUES IN MICROFARADS.
 5. D-DENOTE TAPER PINS ON P.C. BOARD.
 6. R332 LOCATION D1

7. VOLTAGES MEASURED WITH 20,000 Ω /V VOM; MAY V
 8. VOLTAGES MAESURED WITH NO SIGNAL APPLIED.

| | | | | | |
|-------------|--|--|-------|----------|-----|
| 1A950 | DUKANE Corporation BOSTON, MASS. U.S.A. | SCHEMATIC DIAGRAM 4-WATT IC AMPLIFIER 110-1295 | SCALE | DATE | |
| APPLICATION | | | DRAWN | APPROVED | NO. |
| | | | | CHECKED | |

| LEGEND | DESCRIPTION | DUKANE PART NUMBER |
|--------|----------------------------------|--------------------|
| R317 | Resistor, 220,000 ohms, 1/2 watt | 600-0080-224 |
| R319 | " , 100 ohms, 1/2 watt | 600-0080-101 |
| R321 | " , 120,000 ohms, 1/2 watt | 600-0080-124 |
| R322 | " , 300,000 ohms, 1/2 watt, 5% | 600-0073-304 |
| R323 | " , 68,000 ohms, 1/2 watt, 5% | 600-0073-883 |
| R325 | " , 33 ohms, 1/2 watt | 600-0080-330 |
| R327 | " , 820 ohms, 1 watt | 600-0116-821 |
| R328 | " , 1.0 ohm, 1/2 watt | 600-0080-1R0 |
| R329 | " , 3300 ohms, 1/2 watt; 5% | 600-0073-332 |
| R330 | " , 1000 ohms, 1/2 watt; 5% | 600-0073-102 |
| R331 | " , 3.3 ohms, 1/2 watt | 600-0080-3R3 |



REVISED REPAIR PARTS LIST

110-1293

REFERENCE: Schematic diagram No. 190-1833.01

| LEGEND | DESCRIPTION | DUKANE PART NUMBER |
|--------------------|---|--------------------|
| REV 02 C303 | Capacitance value of C303 changed; see note 4 below Capacitor, 47 μ F, 50 VDC 'lytic | 199-2048-474 |
| | | |

REASON FOR CHANGE

- | | |
|---------------------|---------------------------|
| 1. IMPROVED VERSION | 3. NEW VALUE REQUIRED |
| 2. ADDED COMPONENT | 4. OLD PART NOT AVAILABLE |