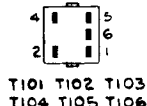
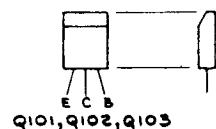


**NOTES: UNLESS OTHERWISE SPECIFIED:**

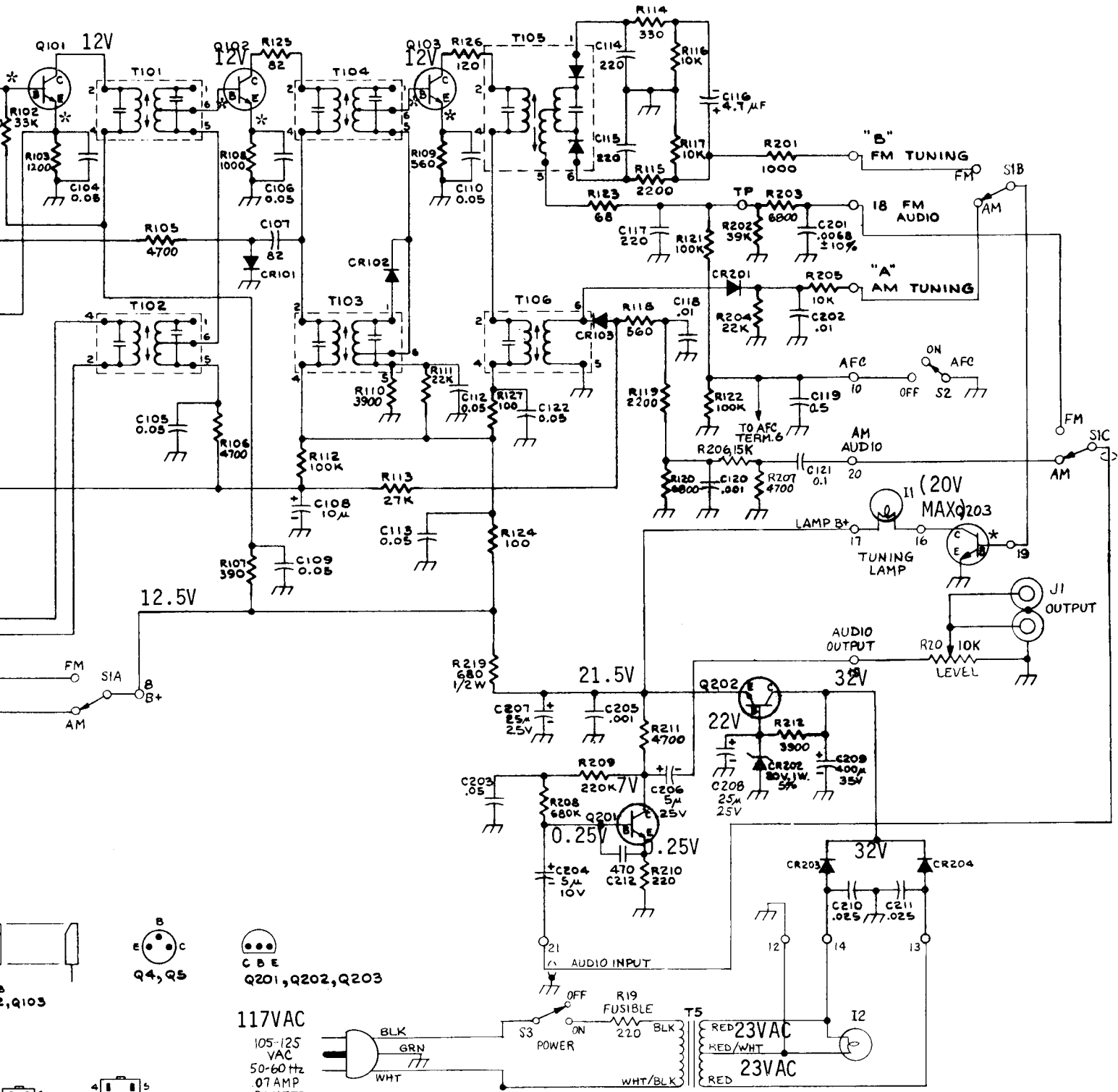
1. ALL CAPACITY VALUES IN MMF EXCEPT DECIMAL VALUES IN MF.
2. ALL RESISTANCE VALUES IN OHMS  $\pm 10\%$
3. COMPONENT VALUES OF FM "FRONT END" ARE NOT SHOWN.
4. VOLTAGES MEASURED WITH 20,000 $\Omega$ /V VOM; MAY VARY  $\pm 10\%$ .
5. DC VOLTAGE MEASURED WITH NO SIGNAL APPLIED.
6. \* VOLTAGE INDICATED ON VOM IS MEANINGLESS.

- Q4....SE1010 OR 2SC454A  
 Q5....SE1001 OR 2SC454B  
 Q101....2SC460B  
 Q102, Q103....2SC460C  
 Q201....MPS 6515 OR EQUIVALENT  
 Q202....MPS 6566 " "  
 Q203....2N5088 " "

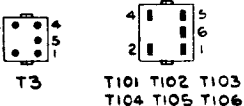
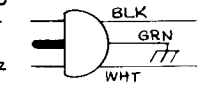
- CR101, 103, 201....1N60 OR 1N34A  
 CR102....1N60M3  
 CR202....1N4747A OR EQUIVALENT  
 CR203, 204....1N4002 " "



REVISIONS			
ISS.	DESCRIPTION	APPD.	DATE



117VAC  
105-125 VAC  
50-60 Hz  
.07 AMP  
9 WATTS



T101 T102 T103  
T104 T105 T106

MATERIAL		FR-1574	
10A150	UNLESS OTHERWISE SPECIFIED:	DIMENSIONS ARE IN INCHES	FRACTIONS: ±
10A151		2 PLACE DECIMAL: ±	3 PLACE DECIMAL: ±
REQ.	NEXT ASSY	USED ON	APPLICATION
<b>DuKANE Corporation</b> ESTABLISHED 1933 ST. CHARLES, ILLINOIS U.S.A.		<b>SCHEMATIC DIAGRAM</b> MODEL 110-1250 COMPLETE TUNER P.C.B. ASSEMBLY	
SCALE	DATE DRAWN 4-15-71	NO. 190-1831 00	
DRAWN	APPD.	CHECKED	ENG.
SHEET 1 OF 1		151	