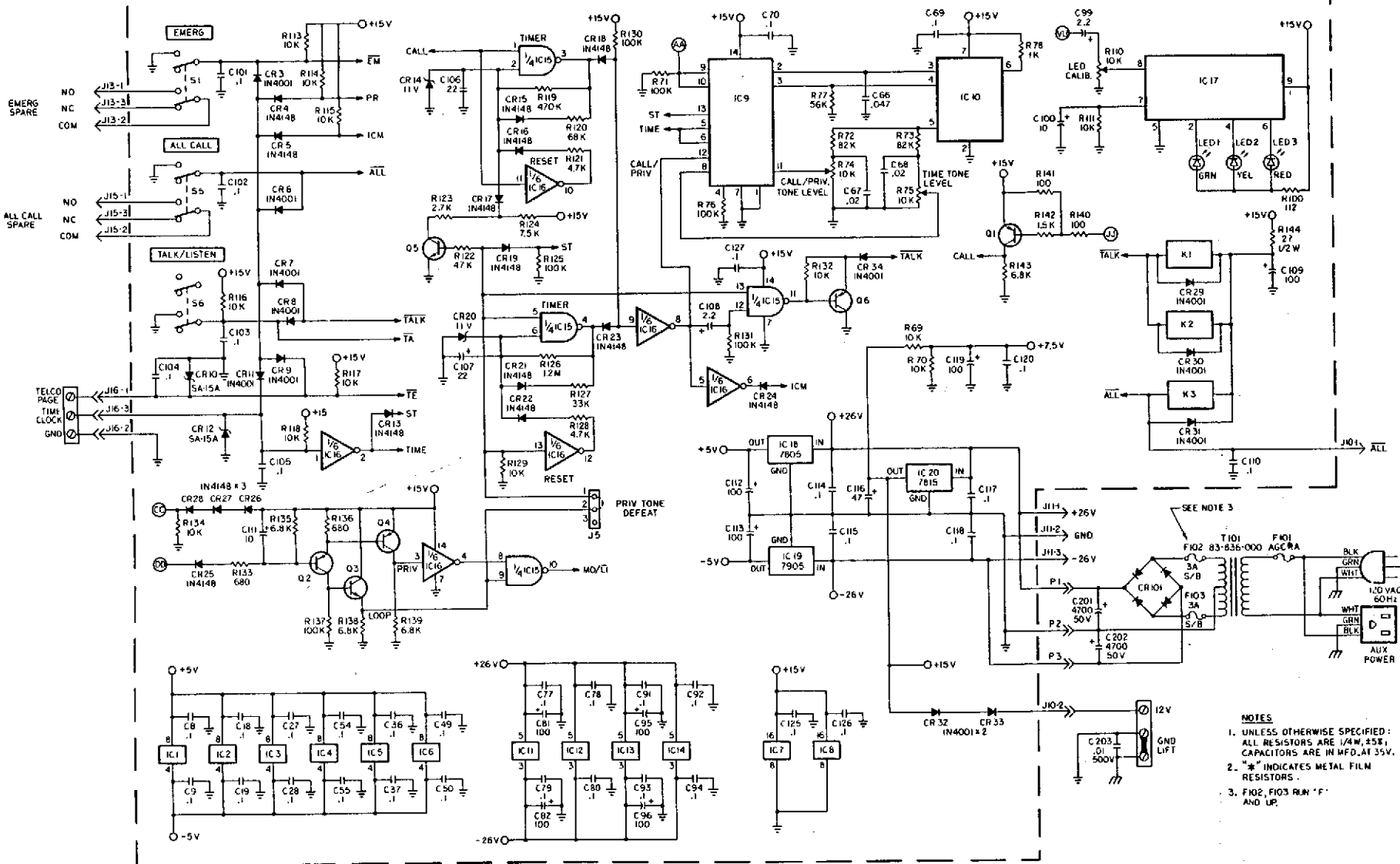


Figure 15B - MCP35A Schematic Diagram, Sheet 2 of 2



- NOTES**
1. UNLESS OTHERWISE SPECIFIED: ALL RESISTORS ARE 1/4W, 5%; CAPACITORS ARE IN WFD, AT 35V.
  2. \* INDICATES METAL FILM RESISTORS.
  3. F102, F103 RUN "F" AND UP.

Figure 15A - MCP35A Schematic Diagram, Sheet 1 of 2

