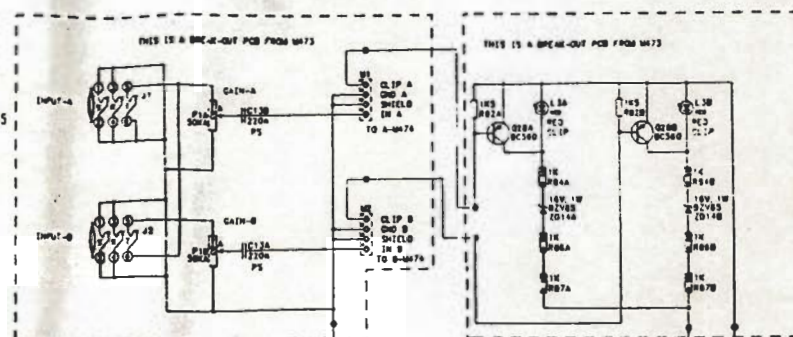
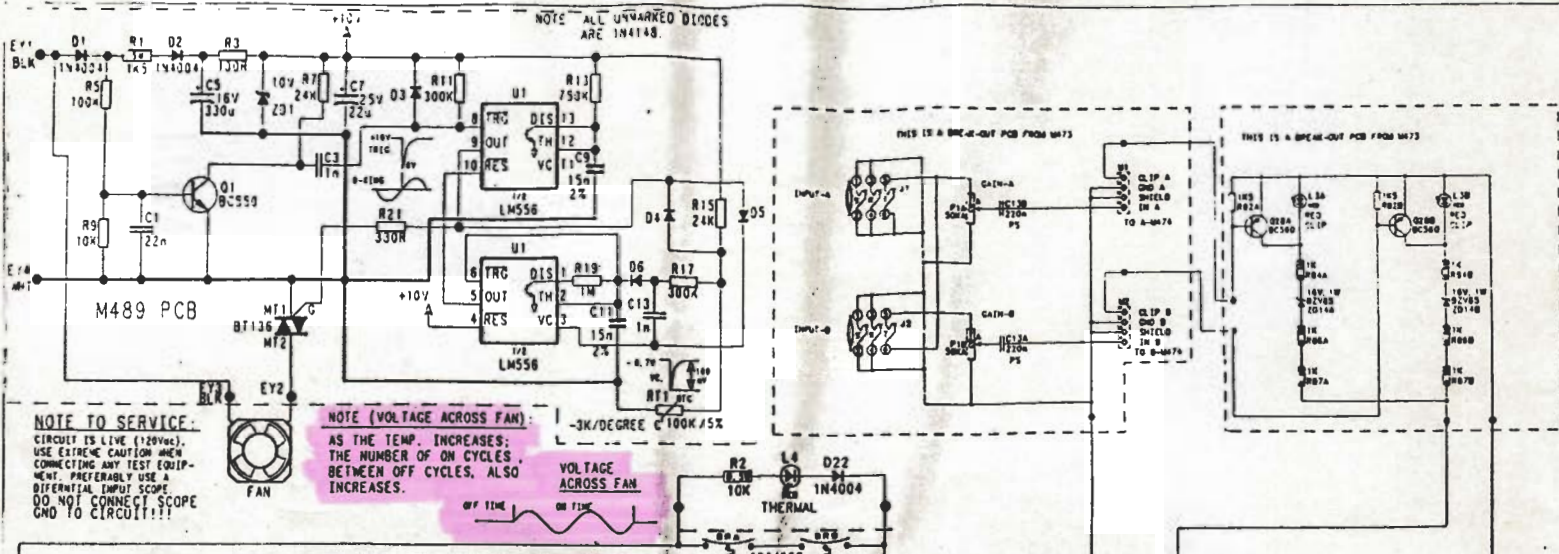
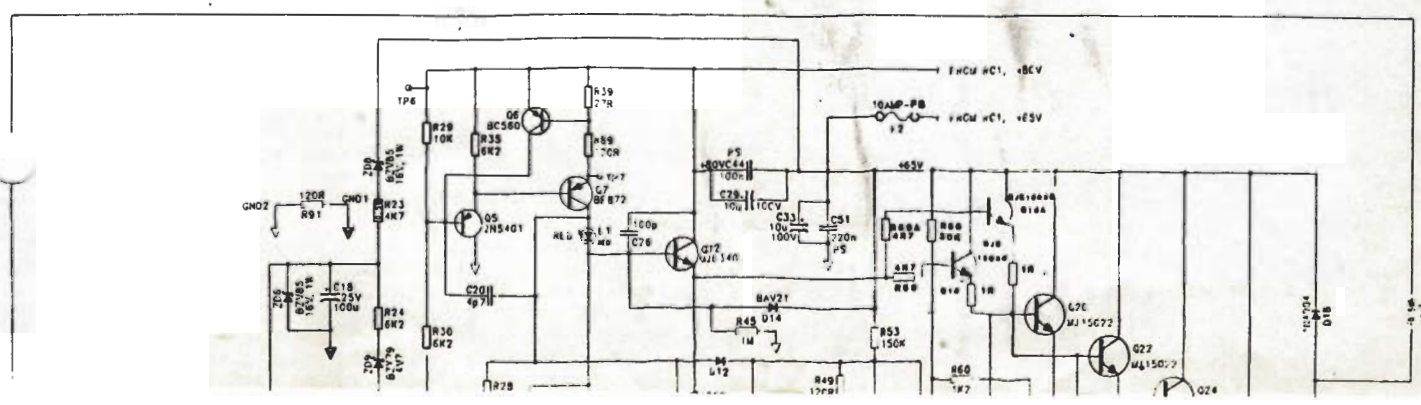


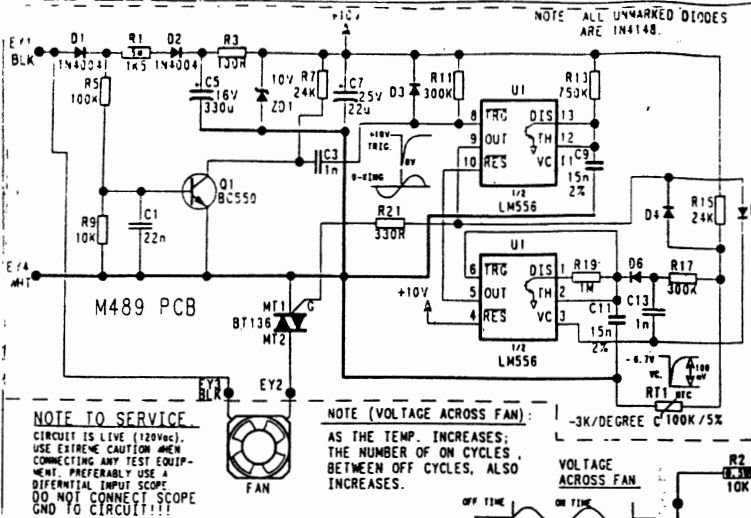
(CUTE) FAN SPEED CCT



YORKVILLE SOUND LTD	
TITLE: AUXILIARY PCBs	PCB# M473/475
DATE: 04/68/85	MODEL: BETA 800 AMP.
DESIGNED BY: J. FREEMAN	DRAWN BY: J. FREEMAN
CHECKED BY: P. IEREMENKO	DRAWING: #2 OF 2

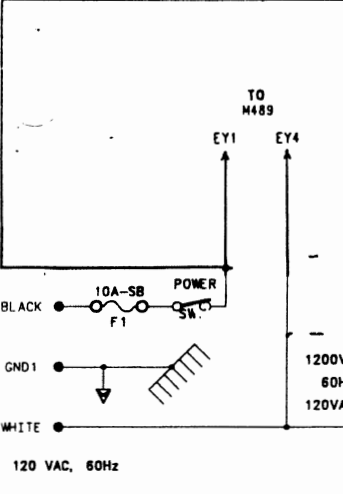
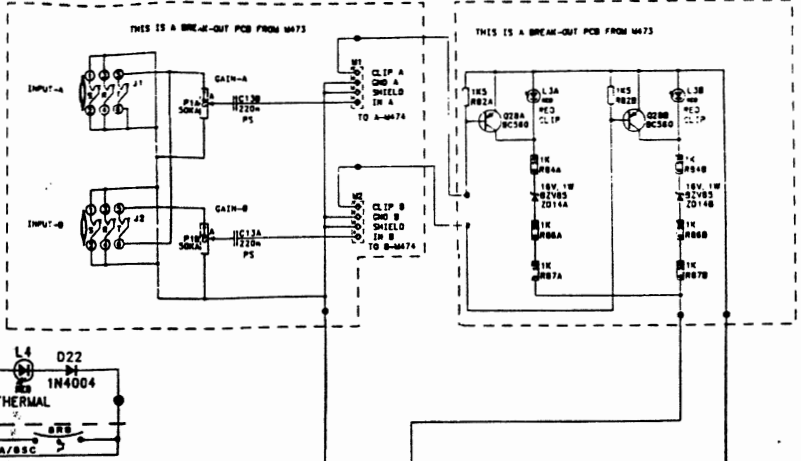
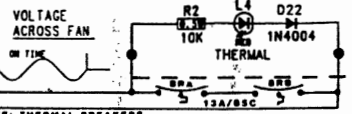
NOTE: ALL UNMARKED DIODES ARE 1N4148





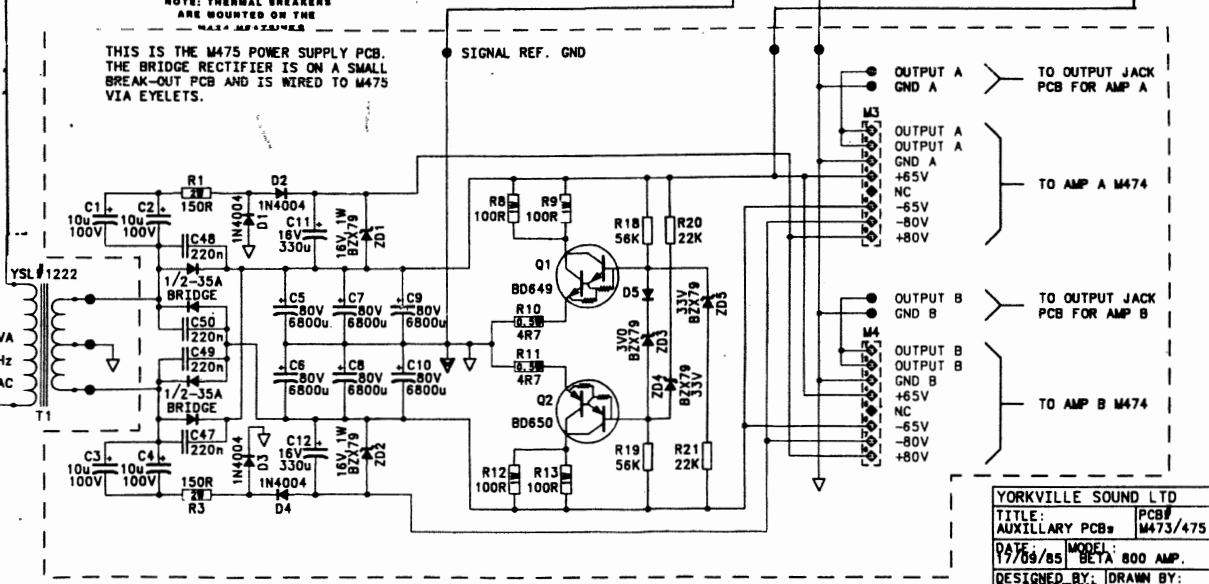
NOTE TO SERVICE
 CIRCUIT IS LIVE (120VAC).
 USE EXTREME CAUTION WHEN
 CONNECTING ANY TEST EQUIP-
 MENT. PREFERABLY USE A
 DIFFERENTIAL INPUT SCOPE.
 DO NOT CONNECT SCOPE
 GND TO CIRCUIT!!!

NOTE (VOLTAGE ACROSS FAN):
 AS THE TEMP. INCREASES,
 THE NUMBER OF ON CYCLES,
 BETWEEN OFF CYCLES, ALSO
 INCREASES.



NOTE: THERMAL BREAKERS
 ARE MOUNTED ON THE
 MAIN M473 PCB.

THIS IS THE M475 POWER SUPPLY PCB.
 THE BRIDGE RECTIFIER IS ON A SMALL
 BREAK-OUT PCB AND IS WIRED TO M475
 VIA EYELETS.

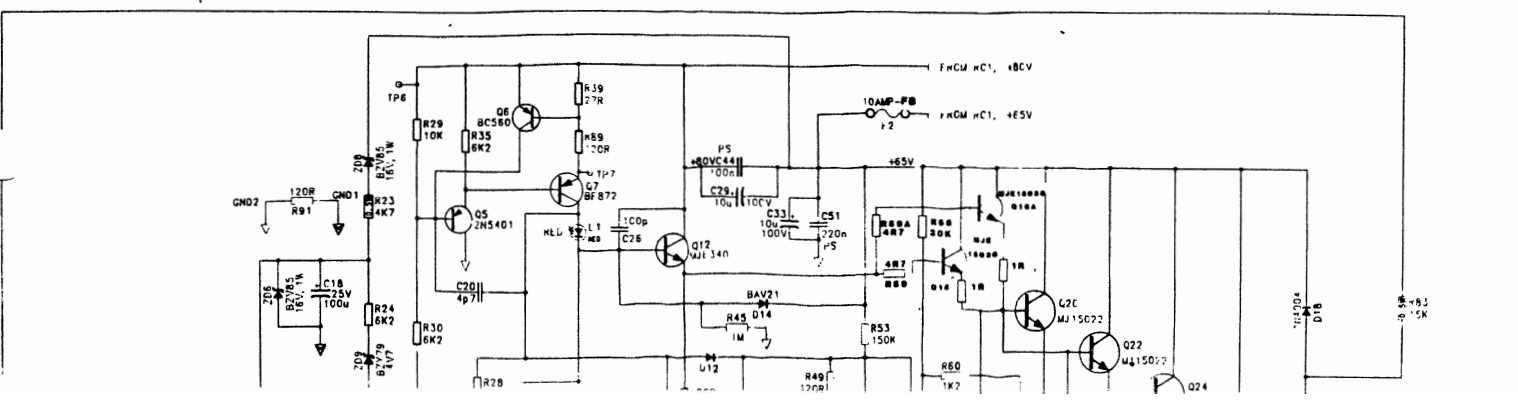


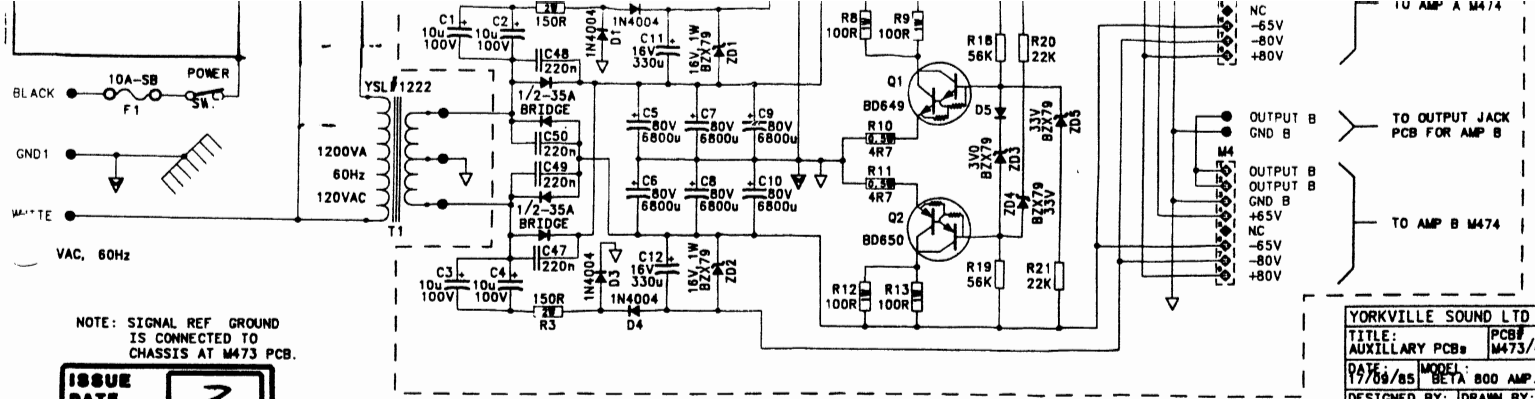
NOTE: SIGNAL REF GROUND
 IS CONNECTED TO
 CHASSIS AT M473 PCB.

ISSUE DATE
 07 3

NOTE: ALL UNMARKED DIODES ARE 1N4148

YORKVILLE SOUND LTD	
TITLE: AUXILLARY PCB#	PCB# M473/475
DATE: 17/09/85	MODEL: BETA 800 AMP.
DESIGNED BY: P. JERYMENKO	DRAWN BY: J. FREEMAN
CHECKED BY: P. JERYMENKO	DRAWING# 12 OF 2



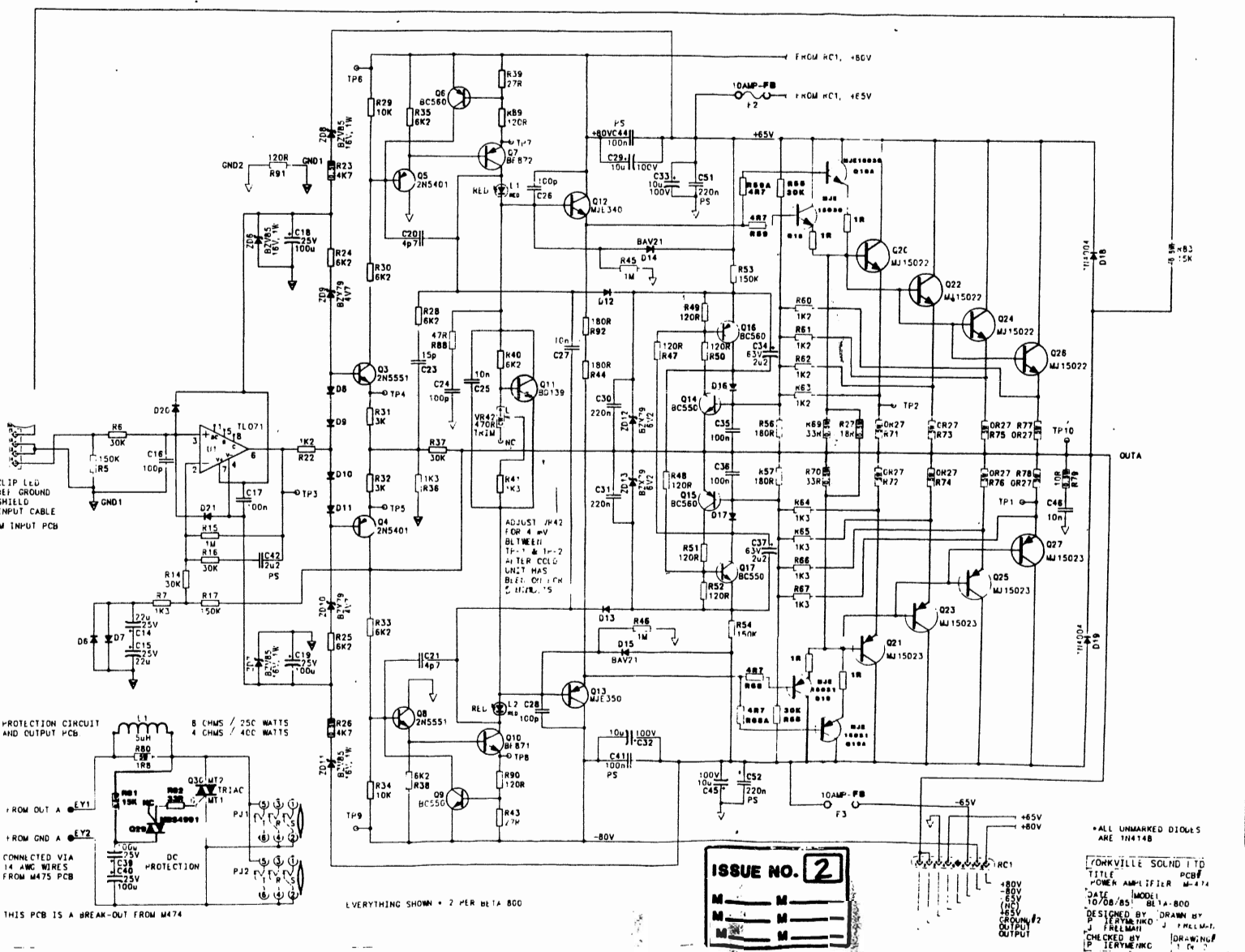


NOTE: SIGNAL REF GROUND IS CONNECTED TO CHASSIS AT M473 PCB.

ISSUE DATE **3**

NOTE: ALL UNMARKED DIODES ARE 1N4148

YORKVILLE SOUND LTD	
TITLE: AUXILIARY PCB	PCB: M473/475
DATE: 09/08/85	MODEL: BETA 800 AMP
DESIGNED BY: J. FREEMAN	DRAWN BY: J. FREEMAN
CHECKED BY: P. IERTYENKO	DRAWING: PZ OF 2



ISSUE NO. **2**

M	M
M	M
M	M
M	M

YORKVILLE SOUND LTD	
TITLE: POWER AMPLIFIER PCB	PCB: M474
DATE: 10/08/85	MODEL: BETA 800
DESIGNED BY: J. FREEMAN	DRAWN BY: J. FREEMAN
CHECKED BY: P. IERTYENKO	DRAWING: PZ OF 2

TRAYNOR
Beta 800