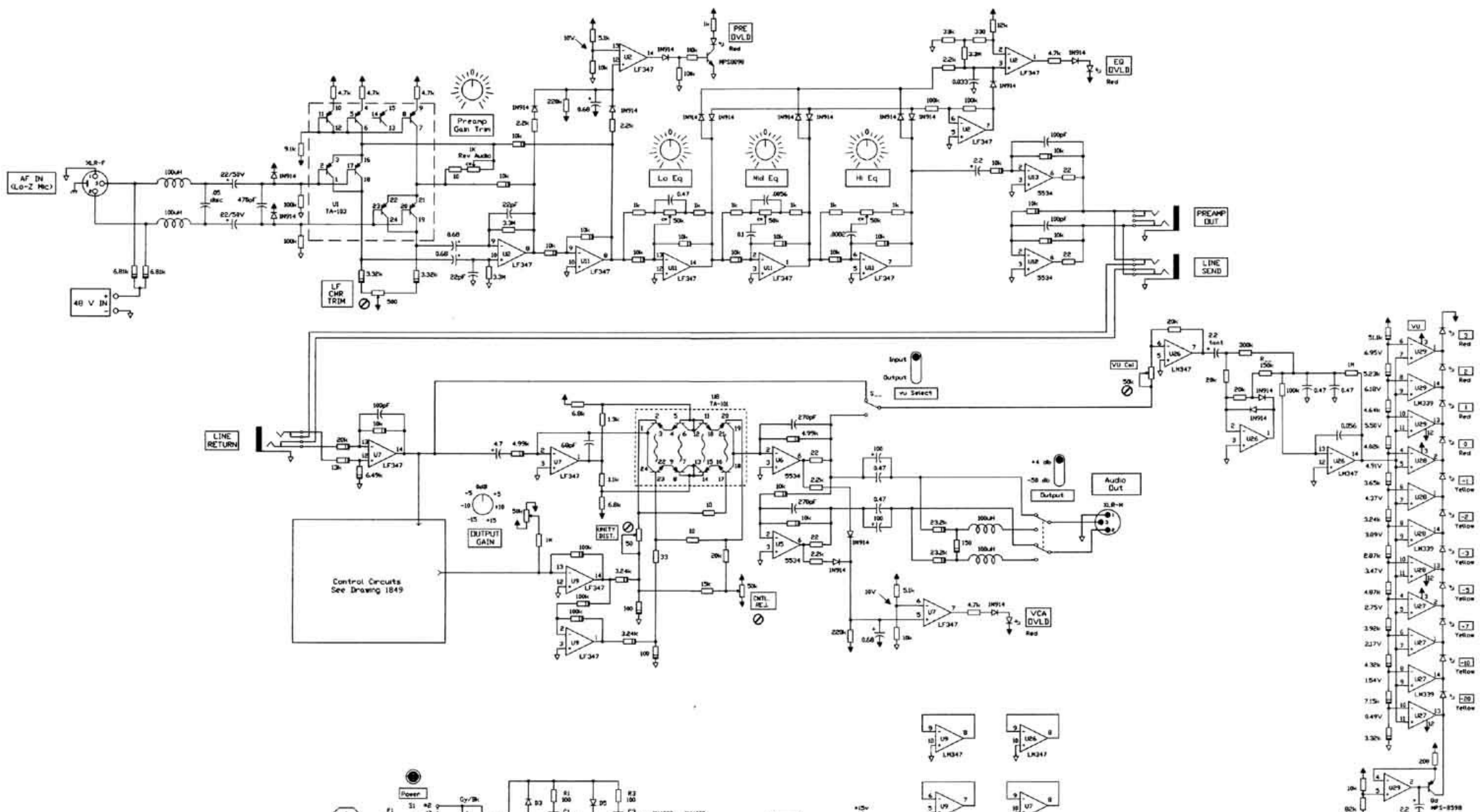


- Notes:
- Resistance values in ohms unless specified
 - Capacitance values in μ F unless specified
 - \square : 1% metal film resistor
 - \square : 5% carbon film resistor
 - \uparrow : +15 V Power
 - \downarrow : -15 V Power
 - \oplus : Signal ground
 - \oplus : Safety ground

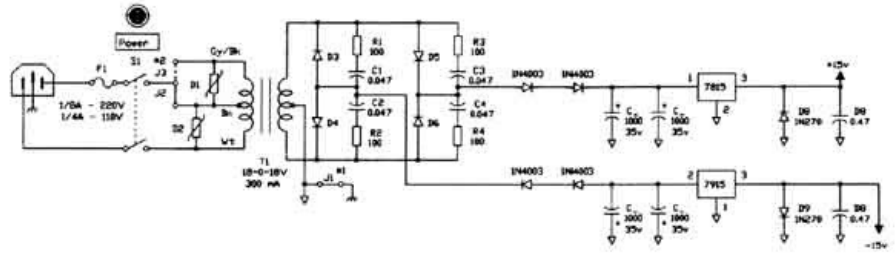
REVISIONS				
ZONE	REV.	DESCRIPTION	DATE	BY
	B	Changes per prototype	21 July 86	DTW
	E	ECDs to date	4 July 88	SDM

		PROJECT	
		Model 400 Mic Proc.	
BY DTW DATE 18 Jul 86		TITLE	
		Control Circuits Schematic	
SCALE 1X DATE 18 Jul 86		DRAWING NO.	
		1849	

Electronic schematic
 Schematic layer
 Labels layer
 Special notes

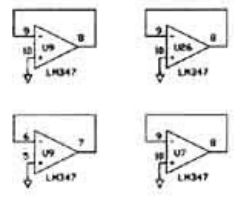


Control Circuits
See Drawing 1849



- Notes:
- Resistance values in ohms unless specified
 - Capacitance values in μF unless specified
 - #1 Break #1 for separate signal and safety grounds
 - #2 Use #2 for 110V, #3 for 220V
 - \square 1/2 metal film resistor
 - \square 5% carbon film resistor
 - \blacktriangle +15 V Power
 - \blacktriangledown -15 V Power
 - ∇ -12 V Power
 - \blacktriangledown -10 V Power
 - \blacktriangledown -5 V Power
 - \blacktriangledown -5 V Power
 - \blacktriangledown Signal ground
 - \blacktriangledown Digital ground
 - \blacktriangledown Safety ground

Electronic schematic
Schematic layer
Labels layer
Special notes



REVISIONS				
ID#	REV.	DESCRIPTION	DATE	BY
B		Changes per prototype	21 July 86	DTW
E		ECCDS to date	4 July 88	SDM



PROJECT		Model 400 Mic Proc.	
TITLE		Audio Path Schematic	
BY	DTW	SCALE	1X
DATE	12 May 86	SIZE	D
DRAWING NO.		1847	