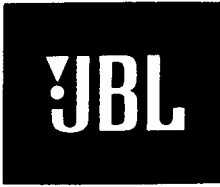


Technical Manual

JBL/UREI 811C L,R TIME ALIGN STUDIO MONITOR SPECIFICATIONS



ACOUSTIC & ELECTRICAL SPECIFICATIONS:

- Nominal Impedance: 8 ohm
- Power Rating: 150W 40Hz to 20kHz with Pink Noise
- Frequency Response: 70 Hz to 17.5 kHz (±3dB)
- Sensitivity: 97 dB SPL*
- Crossover Frequencies: N/A

SYSTEM COMPONENTS:

- Cabinet: 25-15416 Left and Right
- Grille: 811CG
- Low Frequency Transducer: 380mm (15 in.) Co-axial Transducer (45-0113)
- DC Resistance: 5.8 ohm ±10% Copper Wire
- High Frequency Transducer: 25mm (1 in.) Pure Titanium Compression Driver (2425HS)

*1 Watt (2.83 V RMS) @ 1 Meter

SYSTEM COMPONENTS: (cont'd)

- DC Resistance: 3.2 ohm ± 8% Aluminium Wire
- Crossover Network: 844

AURAL SWEEP TEST SPECIFICATIONS:

- A. System Aural Sweep Test: 7.0V Input, 20 Hz to 20 kHz
- B. L.F. Aural Sweep Test: 7.0V Input, 20 Hz to 1.2 kHz
- C. H.F. Aural Sweep Test: 2.83V Input, 550 Hz to 1.2 kHz

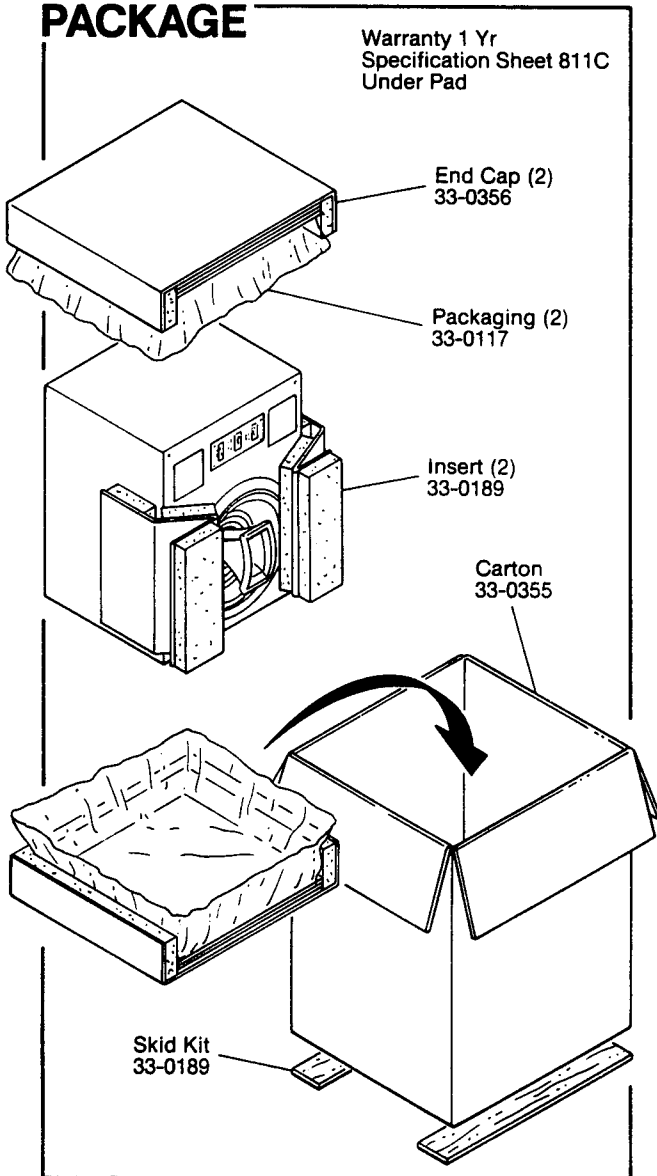
PHYSICAL SPECIFICATIONS:

- Enclosure Dimensions: 527mm x 667mm x 445mm D (20.75 x 26.25 x 17.5 in. D)
- Shipping Weight: 128 lbs. (58 kg)

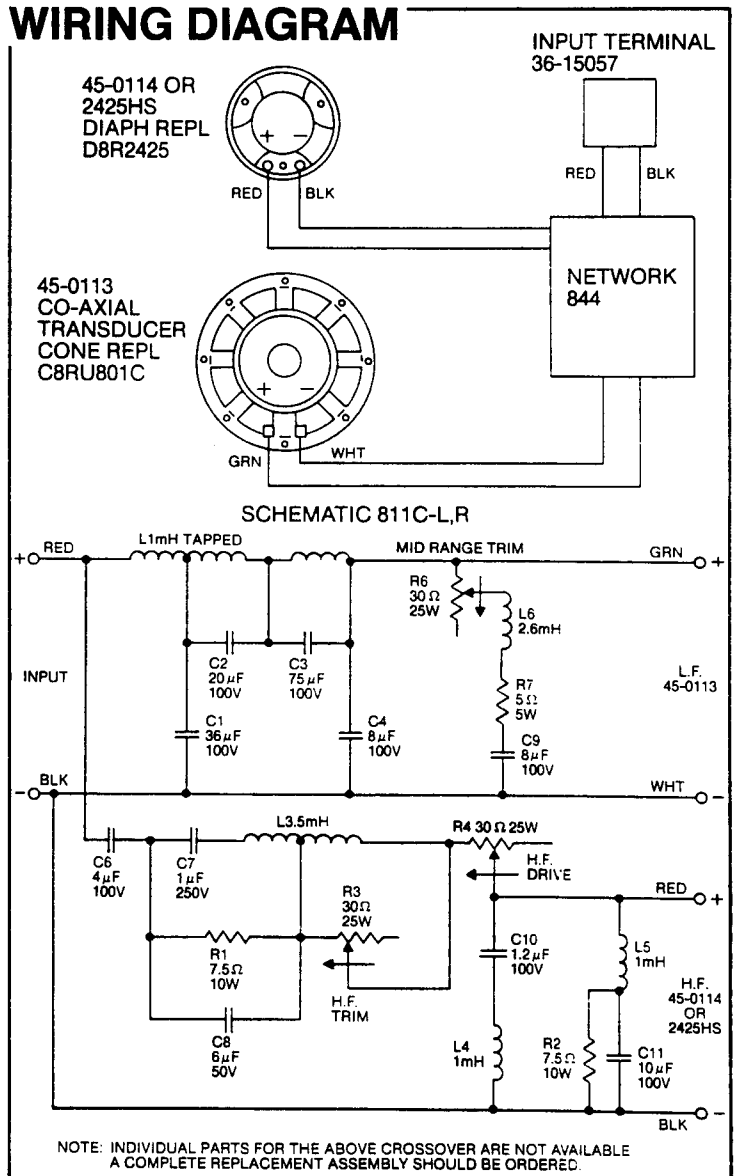
WARRANTY INFORMATION:

- Refer to the Warranty Statement packed with each product.

PACKAGE



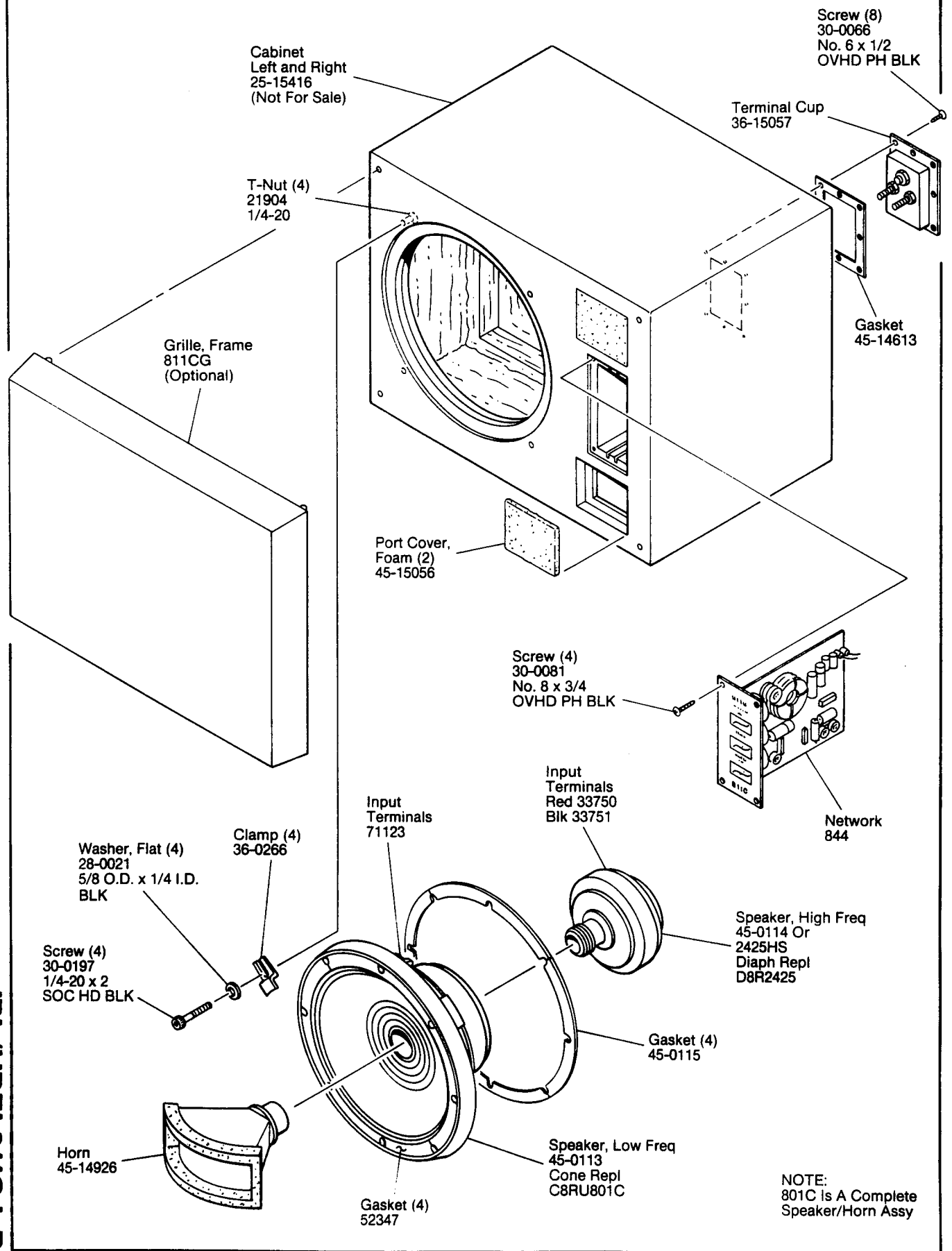
WIRING DIAGRAM



JBL/UREI 811C L,R REV A

JBL/UREI 811C L,R

COMPONENT EXPLODED VIEW



JBL/UREI 811C L,R