

MDR-V700DJ

SERVICE MANUAL

Ver 1.1 2003.06

US Model
Canadian Model
AEP Model
E Model



SPECIFICATIONS

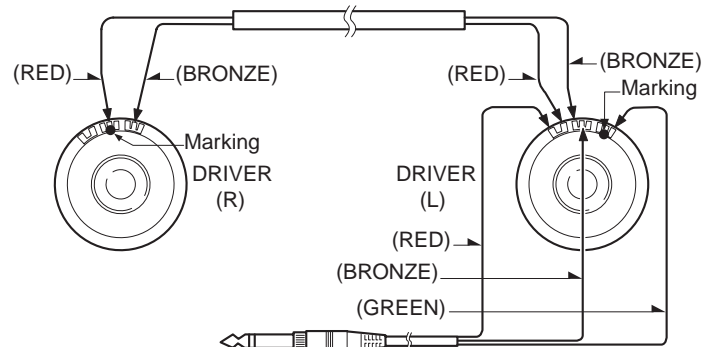
Type	: Dynamic, Closed
Driver unites	: ø50 mm, dome type
Impedence	: 24 Ω at 1 kHz
Sensitivety	: 107 dB/mW
Power handling capacity	: 3000 mW
Frequency response	: 5 – 30,000 Hz
Cord	: Coiled 1 – 3 m long single-sided LC-OFC litz cord with a gold plated stereo unimatch plug
Mass	: Approx. 300 g (without cord)
Supplied accessory	: Carrying pouch (1)

Design and specifications are subject to change without notice.

Features

- Monitoring headphones for DJ and remix use
- Swivel earcup with automatic position recovery mechanism allows easy single sided monitoring on shoulders
- Resists high power audio input up to 3W
- 50 mm driver unit for high quality sound
- Neodymium magnet for powerful bass and clear treble sound
- Coiled LC-OFC litz cord for high conductivity
- Screw type gold plated stereo unimatch plug for secure connection
- Convenient folding design

[WIRING DIAGRAM]



ACCESSORIES

Ref. No.	Part No.	Description	Remarks
		ACCESSORIES & PACKING MATERIALS	

	4-218-130-01	CASE, SOFT	
	3-866-560-11	MANUAL, INSTRUCTION (ENGLISH/FRENCH/GERMAN/SPANISH/ ITALIAN/PORTUGUESE/RESSIAN)	

9-926-946-12 Sony Corporation
2003F16-1 Personal Audio Company
© 2003.06 Published by Sony Engineering Corporation

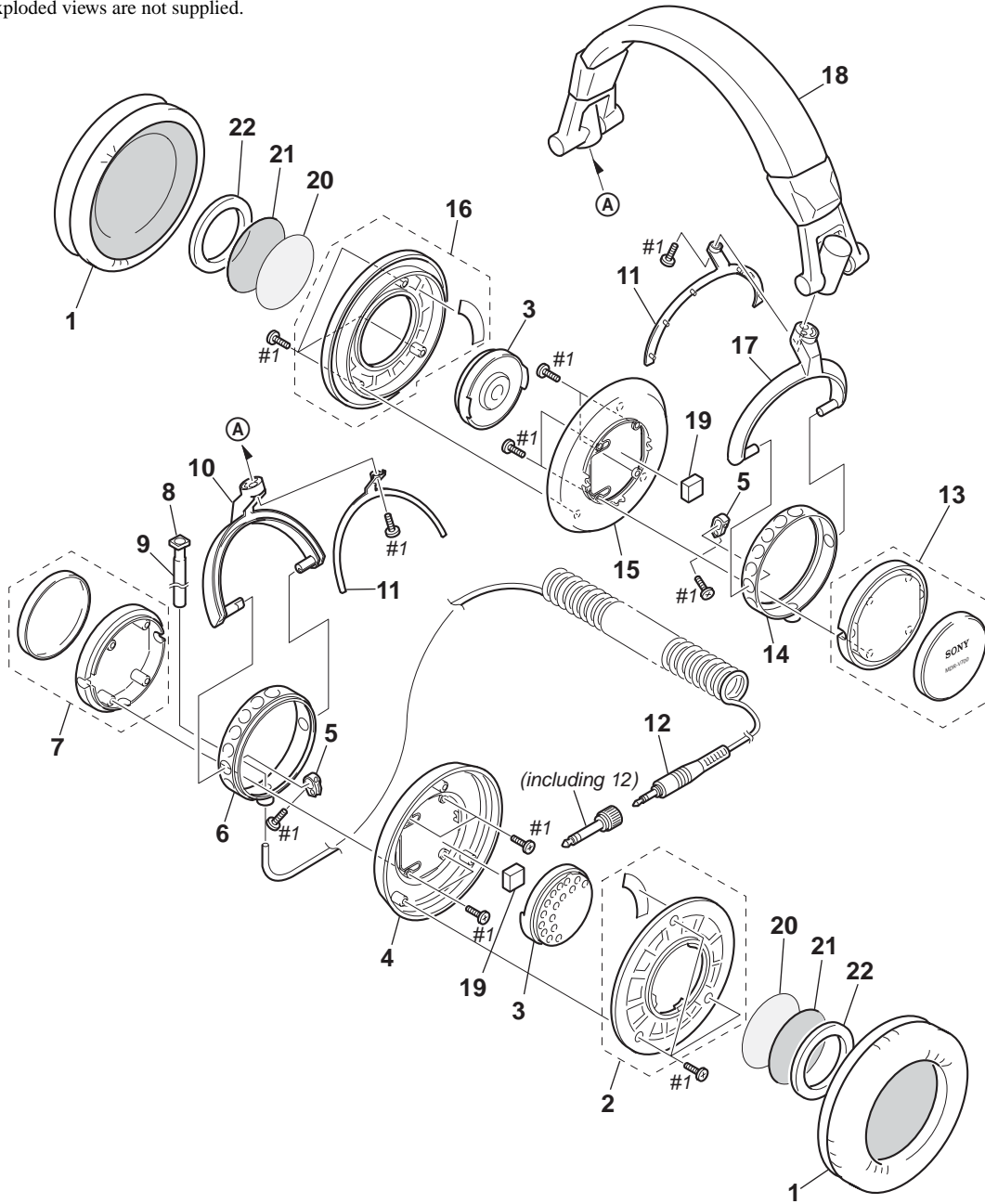
STEREO HEADPHONES

SONY®

EXPLODED VIEW

NOTE:

- -XX, -X mean standardized parts, so they may have some differences from the original one.
- The mechanical parts with no reference number in the exploded views are not supplied.



Ref. No.	Part No.	Description	Remarks	Ref. No.	Part No.	Description	Remarks
1	4-218-140-01	PAD, EAR		13	X-4951-699-1	HOUSING (R) ASSY	
2	X-4951-694-1	PLATE (L) FRONT ASSY		14	4-218-136-01	RING, HOUSING (R)	
3	1-542-390-11	DRIVER (HEADPHONE) (050F025)		15	X-4951-697-1	FLANGE (R) ASSY	
4	X-4951-696-1	FLANGE (L) ASSY		16	X-4951-695-1	PLATE (R) FRONT ASSY	
5	4-954-017-01	CAM, HANGER		17	4-218-142-01	HANGER (R)	
6	4-218-135-01	RING, HOUSING (L)		18	X-4951-652-1	HEAD BAND ASSY	
7	X-4951-698-1	HOUSING (L) ASSY		19	4-220-391-01	AB SORBENT, ACOUSTIC	
8	3-671-893-00	CLAMP (LOW TYPE)		20	4-220-392-01	EQUALIZER	
9	4-218-139-01	BUSHING		21	4-219-368-01	URETHANE, FRONT	
10	4-218-141-01	HANGER (L)		22	4-219-367-01	RING, URETHANE	
11	4-218-143-01	LID, HANGER		#1	7-685-132-19	SCREW +P (2.6 × 5) TYPE2 NON-SLIT	
12	1-790-644-11	CORD (WITH PLUG)					

MEMO

