

U32  
YN  
RETURN

U31  
DYN SEND  
+18V

+11V

MPX

10dB = 2V5

COMPRESS RATIO  
10K LIN.DUAL

COMPRESS THRESHOLD  
10K LIN.DUAL

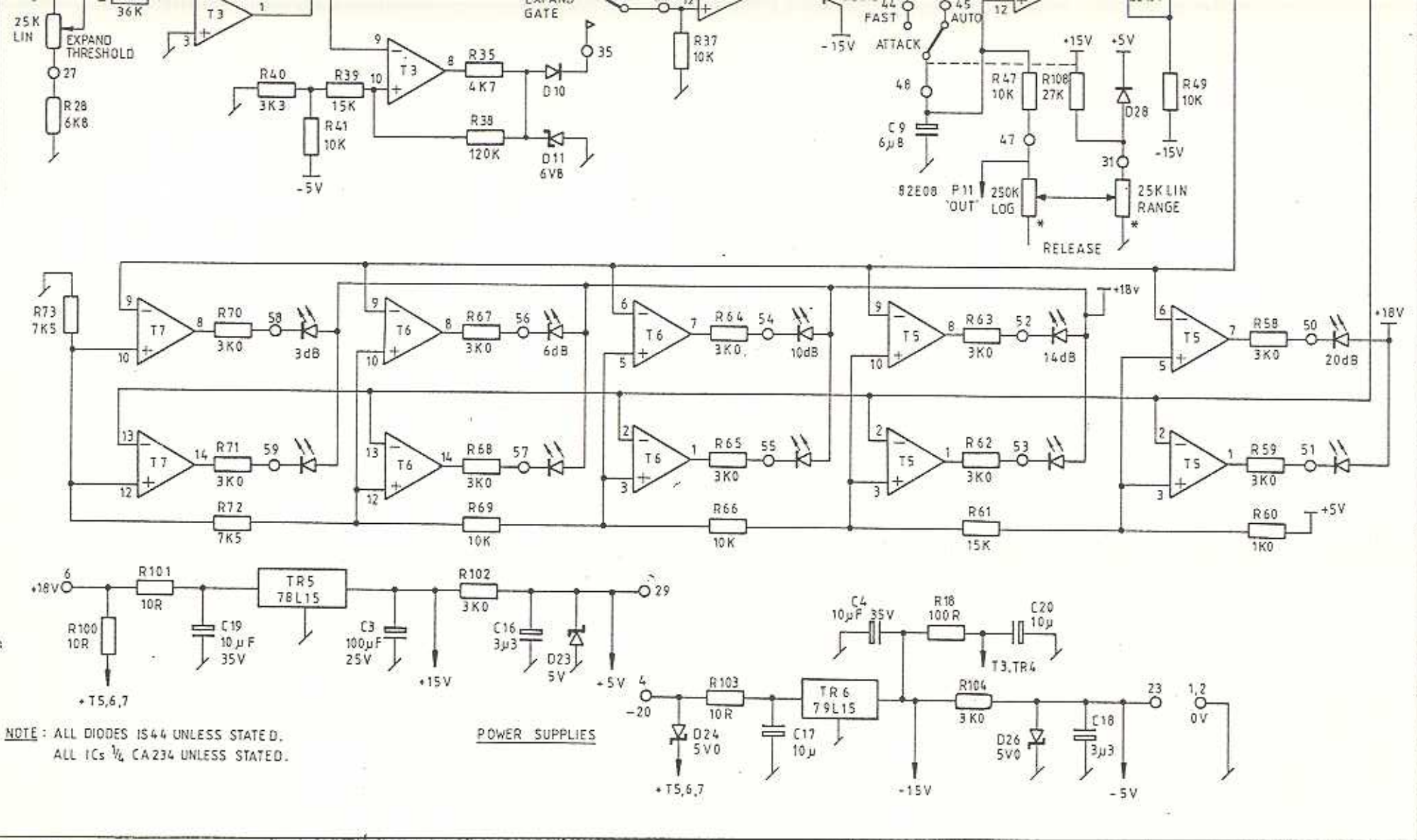
LAW=10dB=1V

MARKED  
POLARITY  
OF 1V5  
ZENERS MAY  
DIFFER.

EXPAND  
GATE

FAST  
AUTO

0V RELEASE



Copyright © SSL All rights reserved.  
This document may not be reproduced in any form without the written permission of SSL.

Rev. Date Chkd Details

12 10 84 REDRAWN D.O

Title	DYNAMICS SECTION
	DES. No. T82010.71
Solid State Logic	
1-34	