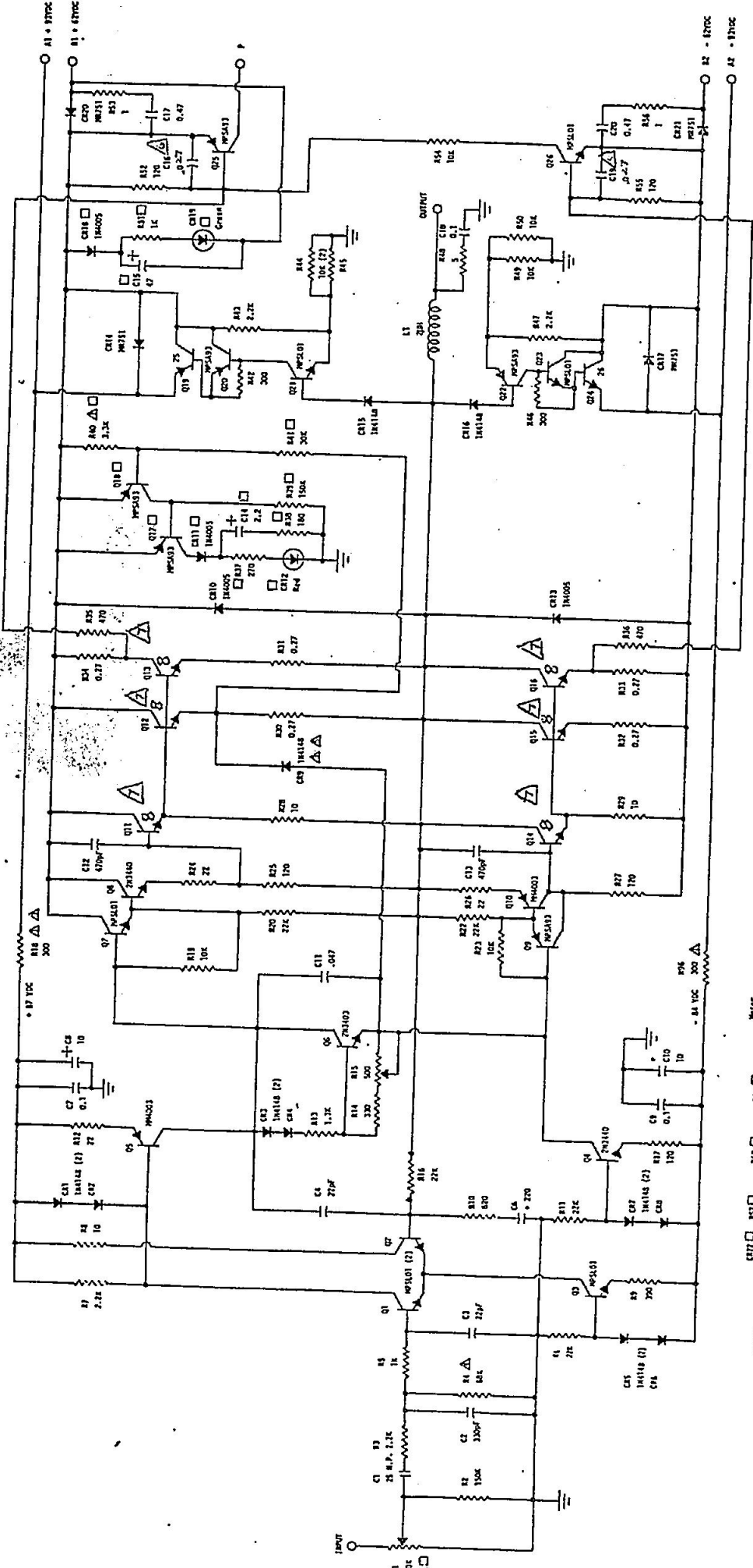


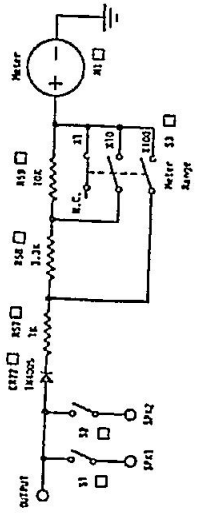
Schematic Diagram	
Model:	7-17-10
Author:	J.R.H.
Check:	
SCHEMATIC - AMPLIFIER	
NOTES: PA2001, PA2002, PA2003	
Quantity:	1000



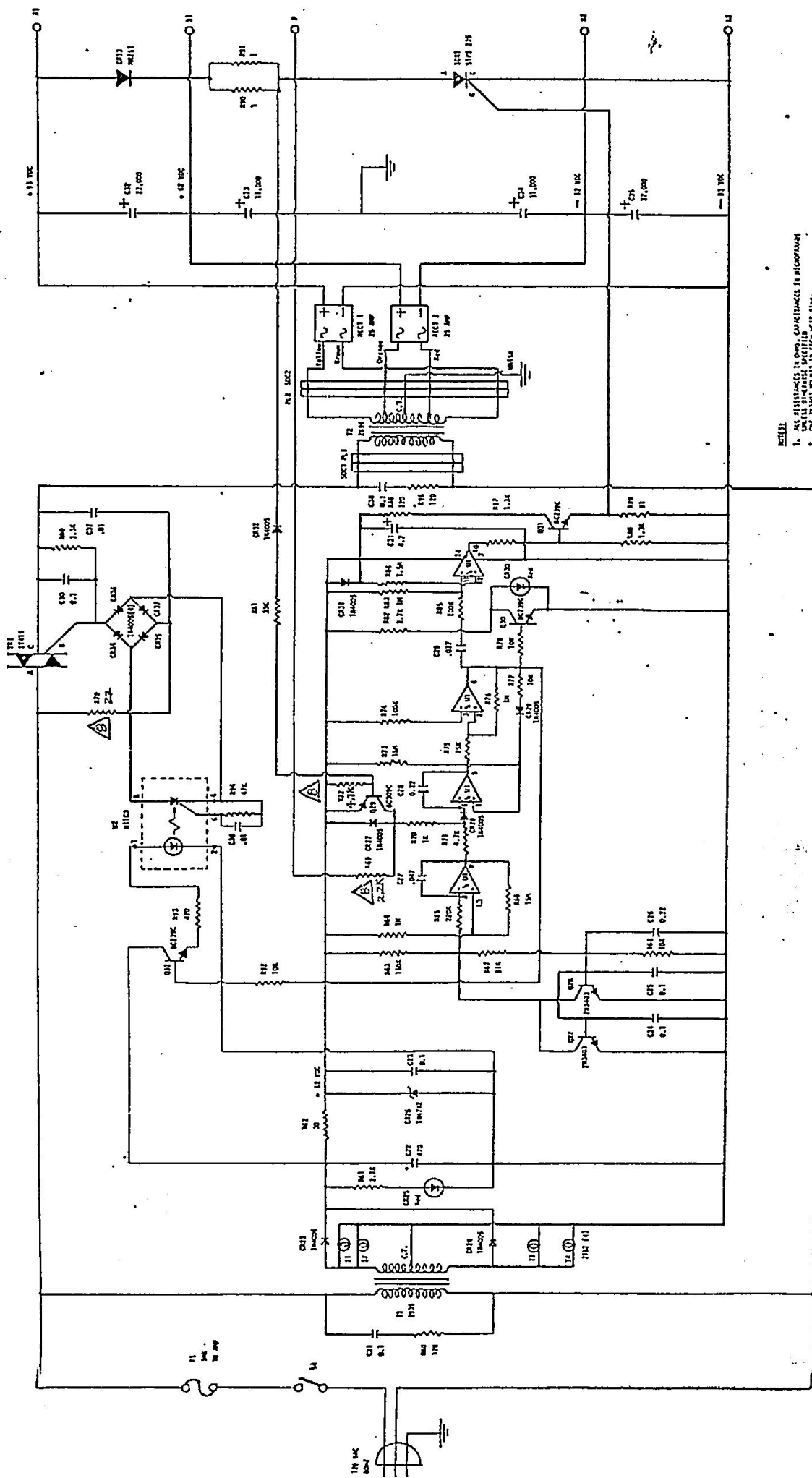
NOTES:

1. RESISTANCES IN OHMS, CAPACITANCES IN MICROFARADS UNLESS OTHERWISE SPECIFIED.
2. 2N100, B, 25, 75 TRANSISTORS MOUNTED ON HEAT SINK.
3. TOP-8 HEAT SINKS MOUNTED ON 7810003, 78140 TRANSISTORS.
4. LEGS DISCARD, 2N1003 TOP VIEW

△ IDENTIFIES COMPONENTS INVOLVED IN MODIFICATIONS. SEE DRAWING 1506 AND PARTS LIST FOR DETAILS.  
 □ IDENTIFIES COMPONENTS BELONGING TO MODEL PA2001



FOR AMPLIFIERS WITH 'B' OR 'T' PREFIX TO SERIAL NUMBER



NOTE:  
 1. ALL RESISTANCE IN OHMS, CAPACITANCE IN MICROFARADS  
 2. RELAY CONTACTS ARE 115V AC 1/2 HP.

Schematic	
Project No.	100001
Sheet No.	11001
Revision	
Author	
Checker	
Designer	
Engineer	
Project Name	SCHEMATIC / PROTECTION

