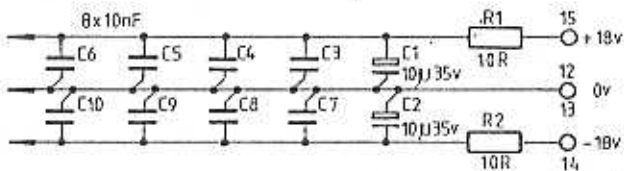
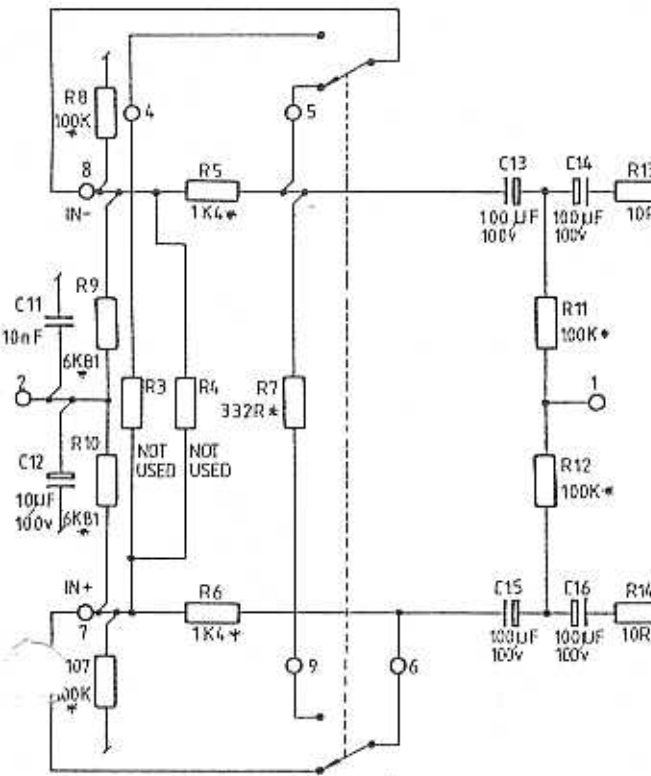
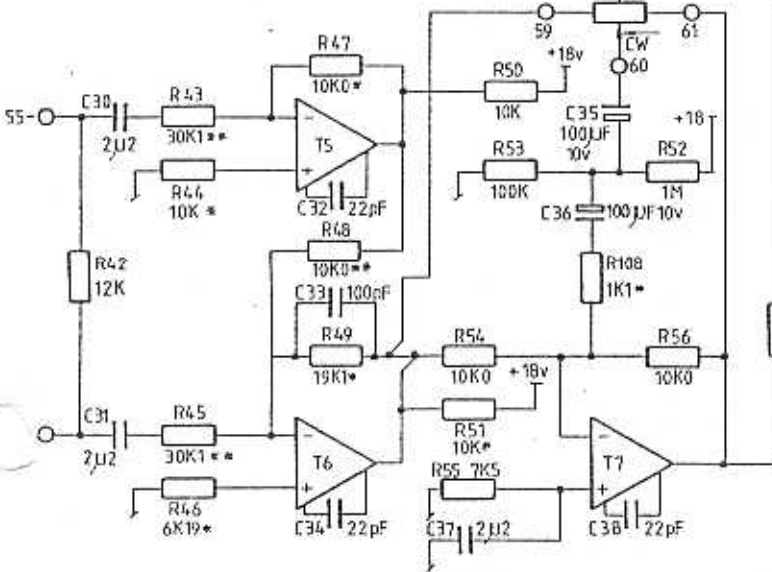


-20dB PAD.

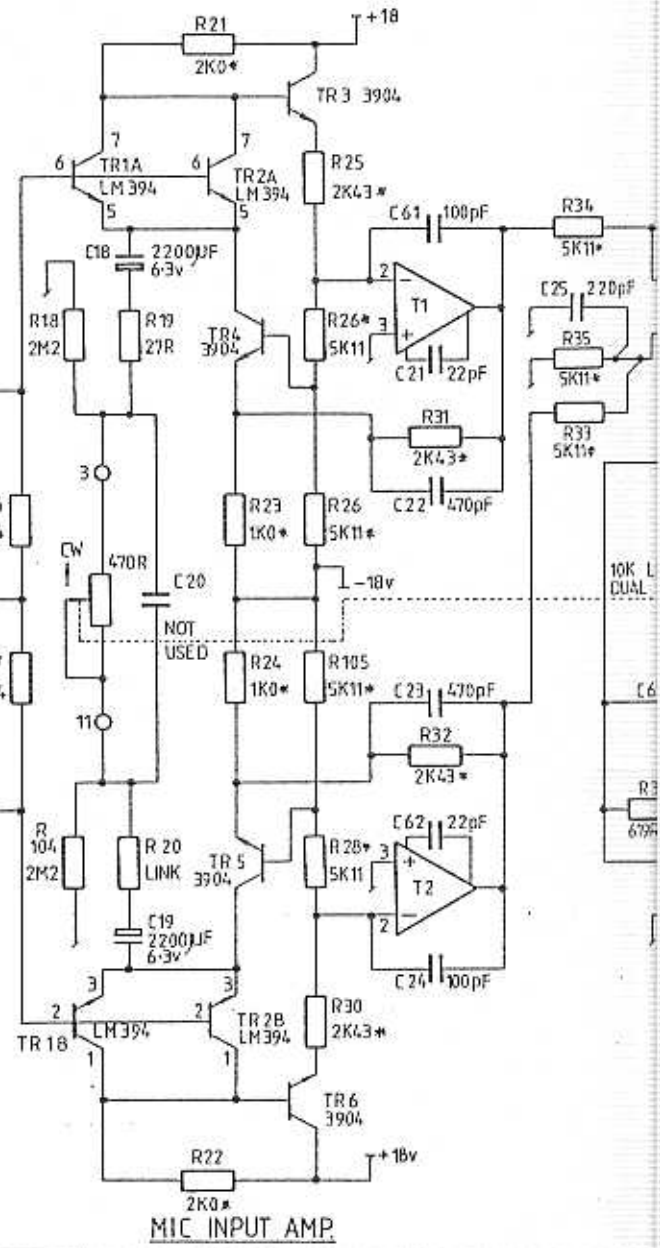


LINE TRIM ± 20dB.

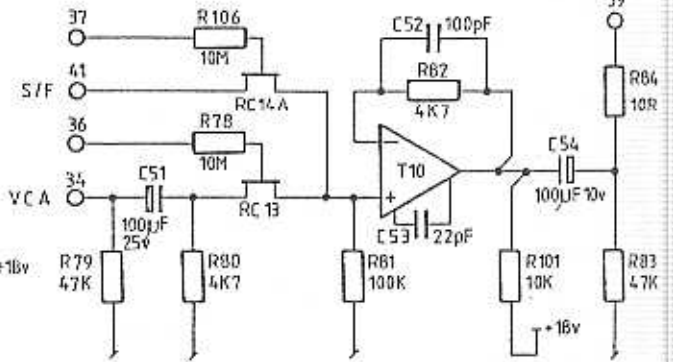
22K LIN CT. IND



CHANNEL LINE INPUT.

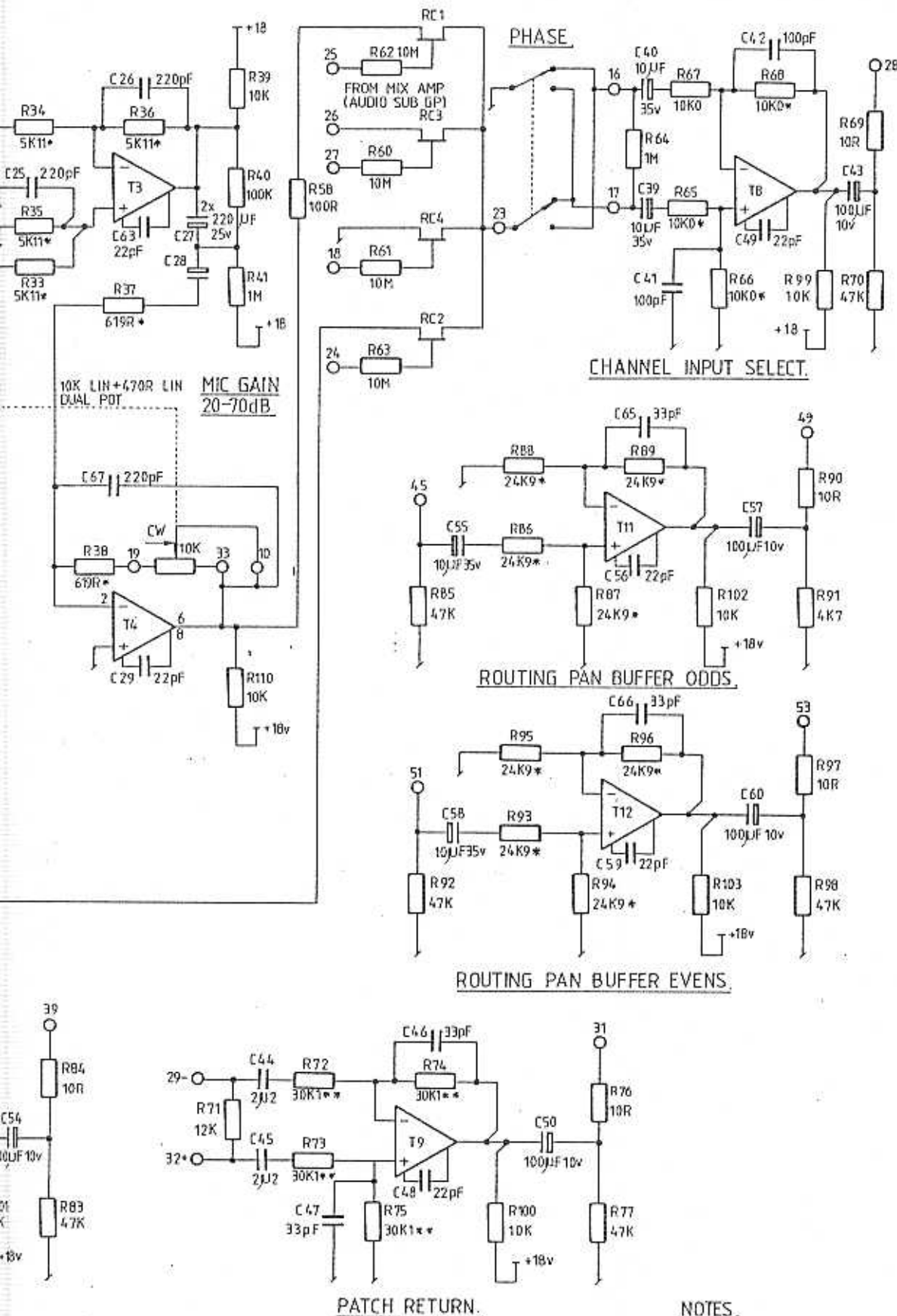


MIC INPUT AMP



CHANNEL FADER SELECT.

Rev	Date	Chkd	Details
1.	4.84	J/S/4	REDRAWN VB



NOTES

1. * = 0.5%
2. ** = 0.1%
3. ALL IC'S 5534
4. ALL FETS J112

Title B2E149
 TRANSFORMERLESS
 CHANNEL AMPS.

Drg. No. T82149-71

Solid State Logic
 1-16