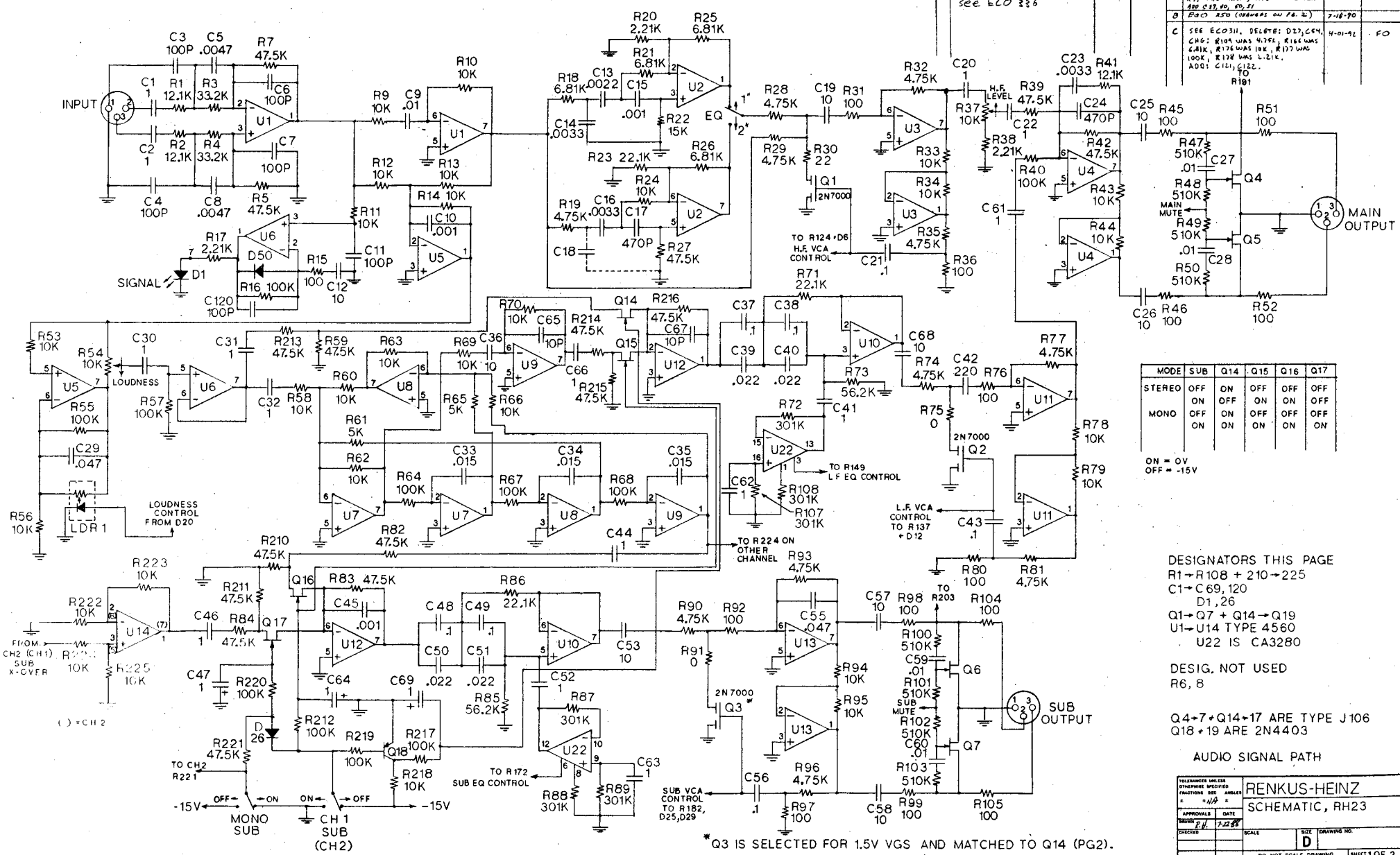


MOVED C20 FROM U3-7 to U3-1  
see ECO 336

REVISIONS			
LTN	DESCRIPTION	DATE	APPROVED
A	R96 WAS 33.2K, R97 WAS 33.2K R71 WAS 150K, R73 WAS 68.1K R80 C13, NO. 00.21	7-6-70	R.H.
B	PCO ASD (CONFORMS TO P.A. 2)	7-18-70	
C	SEE ECO 311. DELETE: D27, C24, C46; R104 WAS 4.75K, R166 WAS 6.81K, R176 WAS 10K, R177 WAS 100K, R178 WAS 1.21K. ADD: C11, C12.	4-01-92	FO



MODE	SUB	Q14	Q15	Q16	Q17
STEREO	OFF	ON	OFF	OFF	OFF
MONO	OFF	ON	OFF	OFF	OFF

ON = 0V  
OFF = -15V

DESIGNATORS THIS PAGE

- R1 → R108 + 210 → 225
- C1 → C69, 120
- D1, 26
- Q1 → Q7 + Q14 → Q19
- U1 → U14 TYPE 4560
- U2 IS IC3280

DESIG. NOT USED  
R6, 8

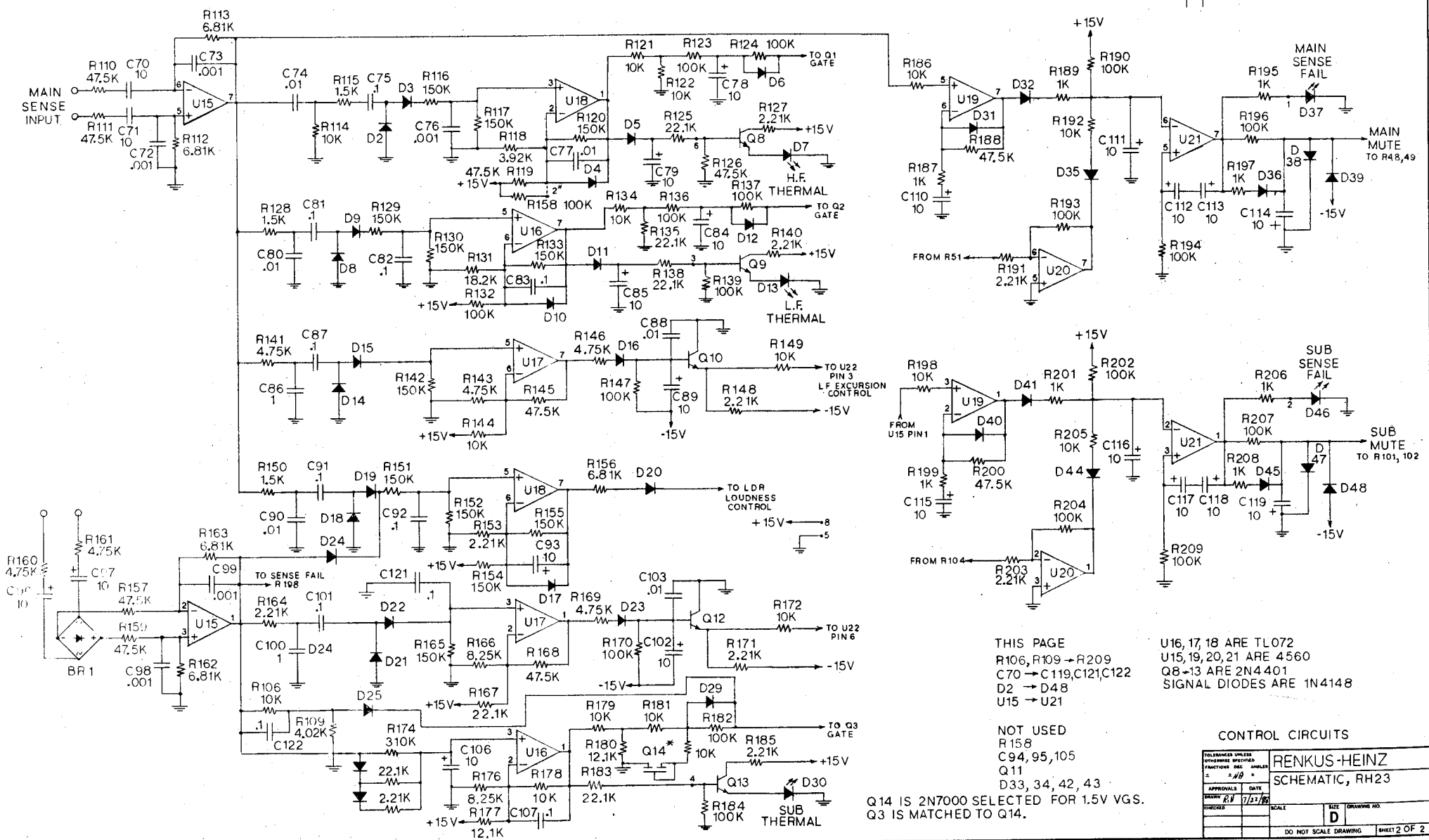
Q4 → 7 + Q14 → 17 ARE TYPE J106  
Q18 + 19 ARE 2N4403

AUDIO SIGNAL PATH

DESIGNED BY		RENKUS-HEINZ	
CHECKED BY		SCHEMATIC, RH23	
DATE	DATE	SCALE	DRAWING NO.
7-22-70			D
APPROVALS		DO NOT SCALE DRAWING	

\* Q3 IS SELECTED FOR 1.5V VGS AND MATCHED TO Q14 (PG2).

REVISIONS			
LT#	DESCRIPTION	DATE	APPROVED
A	SEE #1		
B	SEE ACO 250	7-16-70	
C	SEE PG 1	4/01/72	
D	SEE PG 1	8-3-72	



THIS PAGE  
R106, R109 → R209  
C70 → C119, C121, C122  
D2 → D48  
U15 → U21

U16, 17, 18 ARE TL072  
U15, 19, 20, 21 ARE 4560  
Q8-13 ARE 2N4401  
SIGNAL DIODES ARE 1N4148

NOT USED  
R158  
C94, 95, 105  
Q11  
D33, 34, 42, 43

Q14 IS 2N7000 SELECTED FOR 1.5V VGS.  
Q3 IS MATCHED TO Q14.

CONTROL CIRCUITS			
TOLERANCES UNLESS OTHERWISE SPECIFIED		RENKUS-HEINZ	
FUNCTIONAL SPEC. SHEET #		SCHEMATIC, RH23	
APPROVALS	DATE	SCALE	SIZE
DRAWN BY	DATE		D
CHECKED	DATE		
		DO NOT SCALE DRAWING	SHEET 2 OF 2