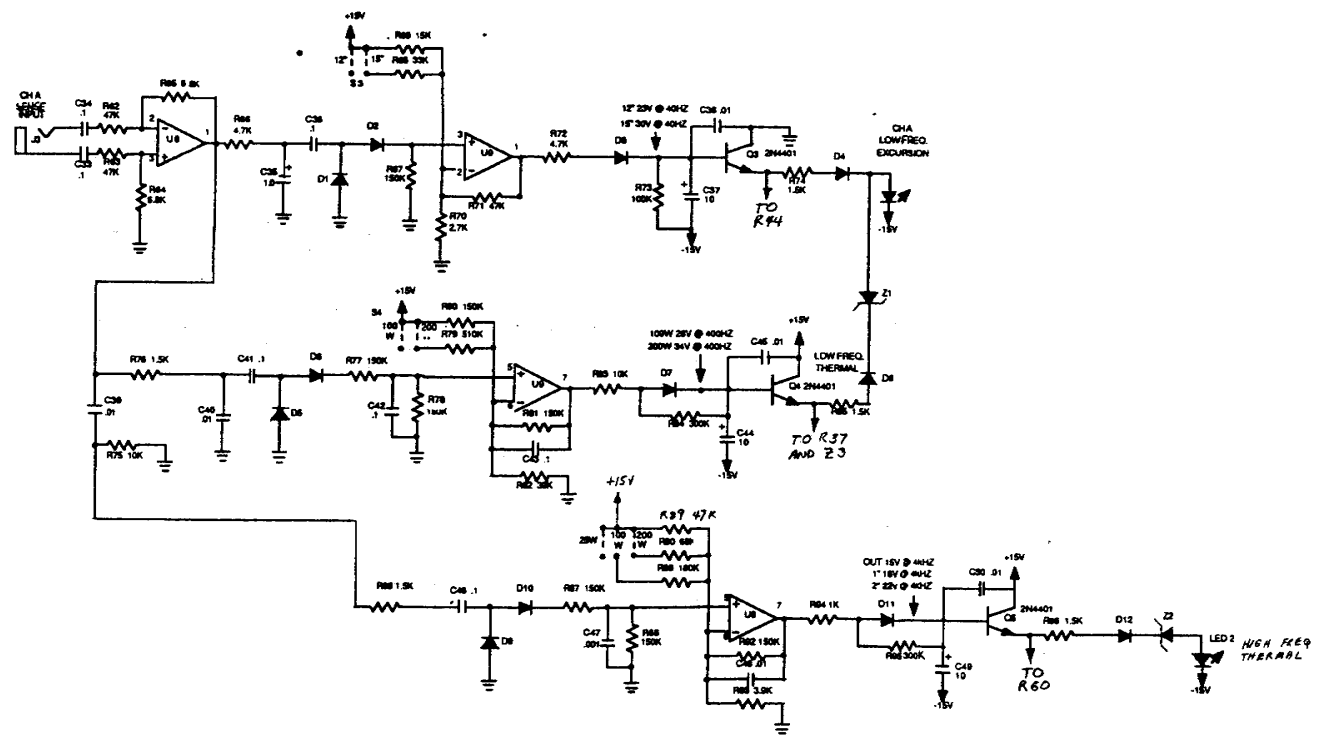
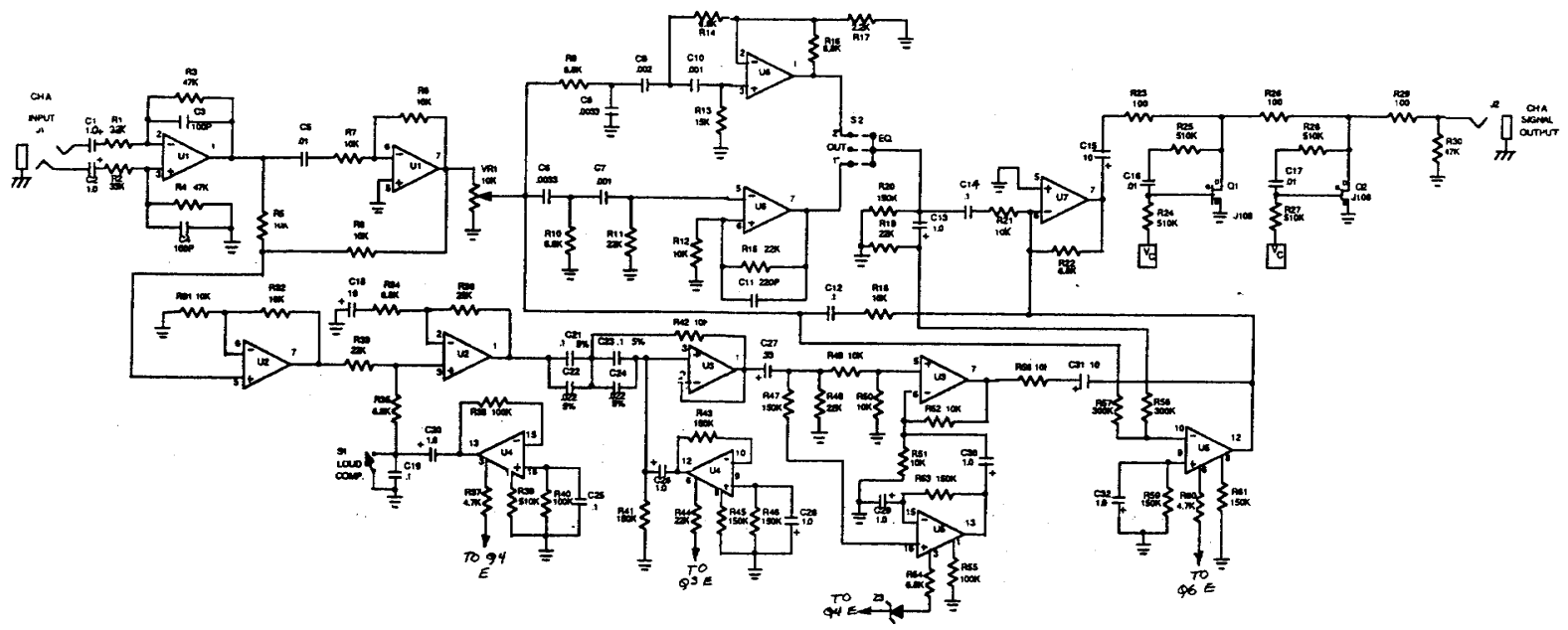
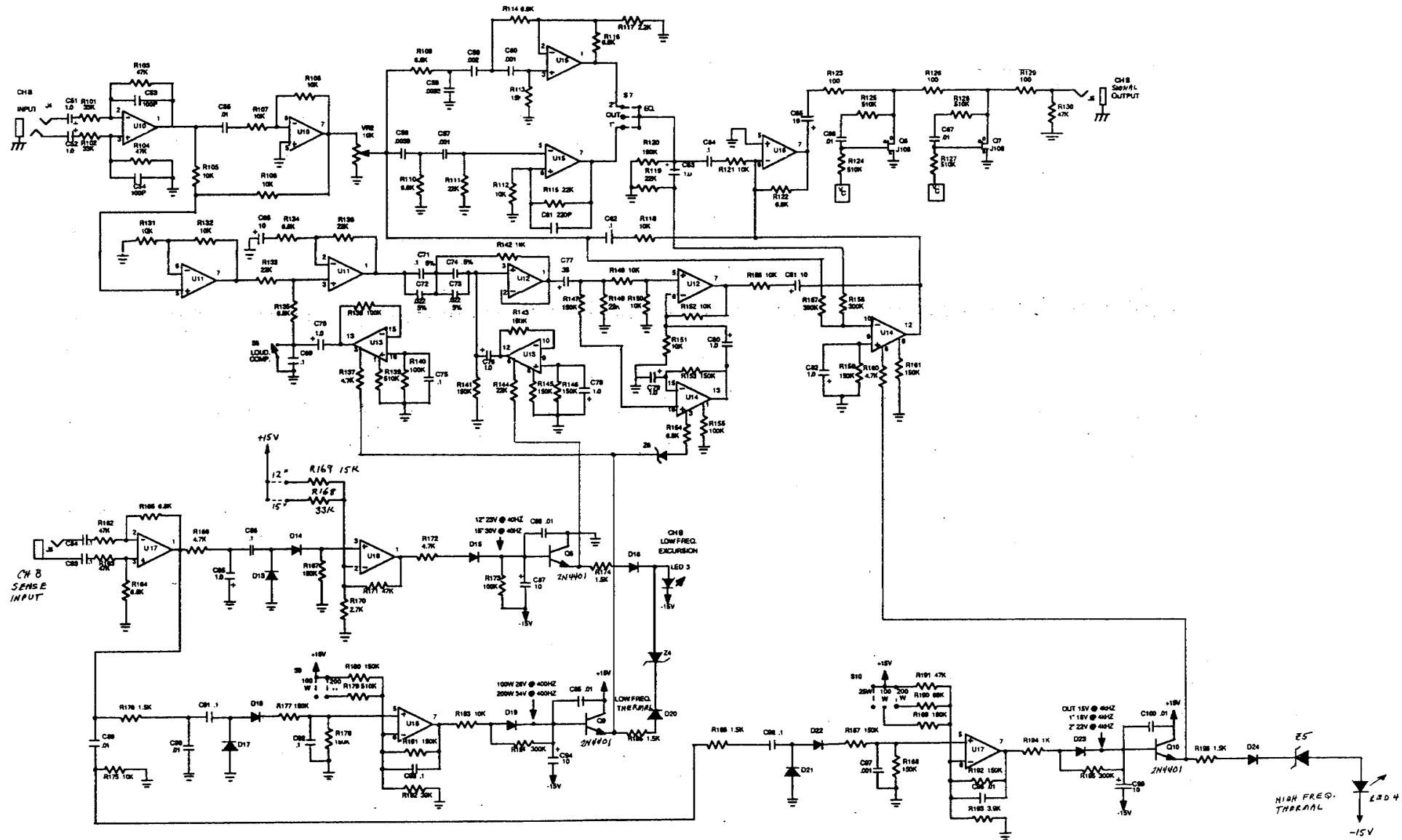


REVISIONS			
REV	DESCRIPTION	DATE	APPROVED
1	RECORDED FROM SCHEMATIC, APPROVED 9/11/90		
	TO PARTIAL AND COLLECTED		



VOLUNTEER ENGINEERING SERVICE RENKUS-HEINZ SCHEMATIC, RH 2	
APPROVED	DATE
SCALE	SIZE DRAWING NO.
	D
DO NOT SCALE DRAWING SHEET	

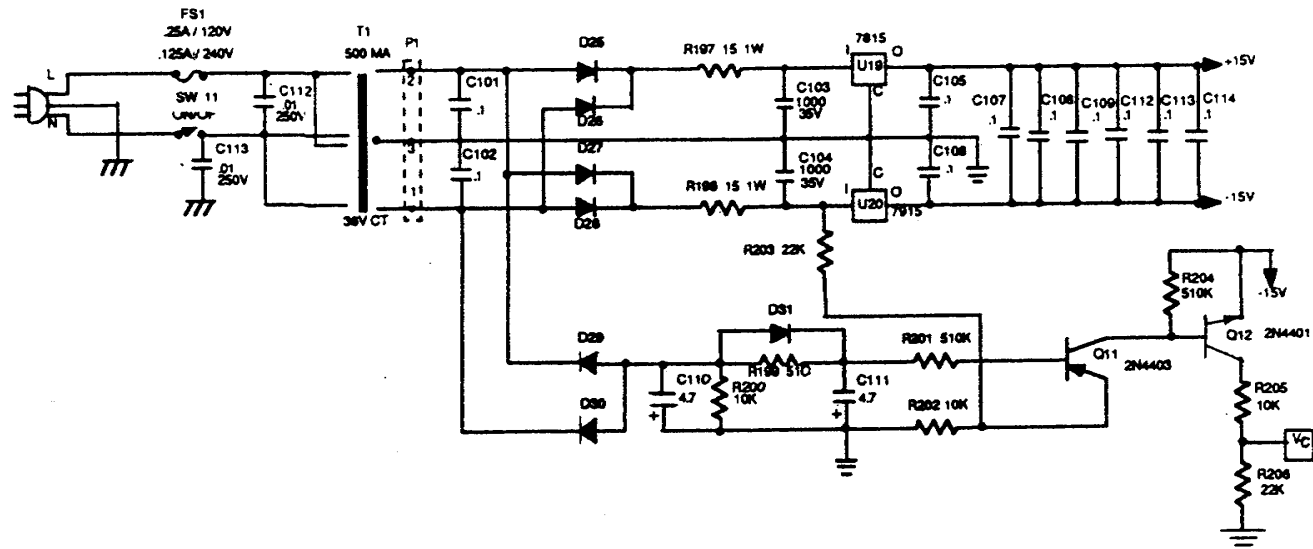
REVISIONS			
NO.	DESCRIPTION	DATE	APPROVED
1	DESIGNED FROM COMPUTER, FINISHED TOGETHER AND CALIBRATED	1/11/90	



DESIGNED BY	REVISIONS
APPROVED BY	DATE
DATE	DATE
SCALE	DRAWING NO.
	D
DO NOT SCALE DRAWING	SHEET

RENKUS-HEINZ
SCHEMATIC, RH 2

REVISIONS			
NO.	DESCRIPTION	DATE	APPROVED
1	REWORKED FROM SCHEMATIC, R17000	9/11/90	
2	REWORKED FROM SCHEMATIC, R17000		



APPROVED BY	REWORKED FROM SCHEMATIC, R17000	DATE	9/11/90
APPROVED BY		DATE	
APPROVALS	DATE	SCALE	SIZE
			D
DRAWING NO.		SCHEMATIC, RH 2	
DO NOT SCALE DRAWING		SHEET 3	