



RENKUS-HEINZ

C12 · C22 · L20

Plug-In Loudspeaker Controllers

Plug-In Loudspeaker Controllers



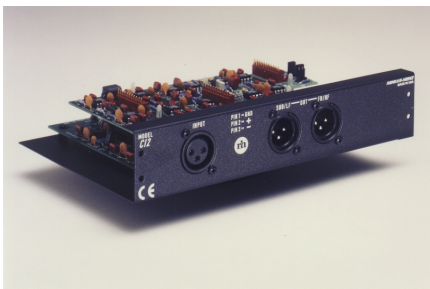
Renkus-Heinz P2400 and P2700 dual channel, power amplifiers include facilities for plug-in loudspeaker controllers that can be easily inserted into the rear of the amplifier.

They simplify system design by eliminating the need for either separate loudspeaker controllers or for separate electronic crossovers and compressor/limiters.

These controllers optimize the system's overall performance while protecting the associated loudspeakers from damage.

This assures top level system performance while cutting down on rack space requirements and reducing overall system costs.

C12 Single Input, Dual Output Controller



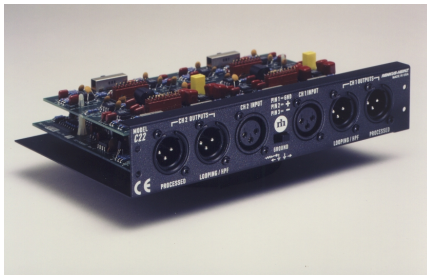
The C12 module is a single input, dual output controller designed for use in single-channel (mono) systems having active 2-way loudspeakers, bi-ampable 3-way loudspeakers, or in systems having both passive loudspeakers and subwoofers.

to smooth and extend the loudspeakers response, signal alignment facilities and protection circuitry.

The C12 controller module is customized to match the performance of the associated loudspeaker(s) with a PK kit that matches the operating characteristics of the controller to the associated loudspeaker(s).

The C12 includes a 4th order crossover network, parametric equalizers

C22 Dual Input, Dual Output Controller

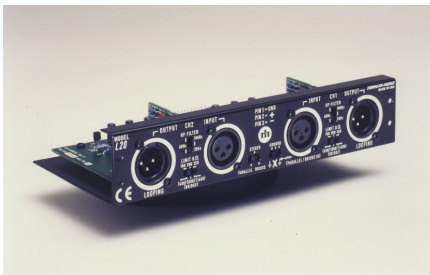


The C22 is a dual-input, dual-output controller designed for use with passive loudspeakers or subwoofers in dual channel (stereo) systems .

When the C22 is used with subwoofers, it also functions as a crossover, thus eliminating the need for a separate subwoofer crossover. C22 modules are customized to match an associated family of loudspeakers (for example, the TRC or SR series) and then programed with control switches to match a specific loudspeaker.

It provides two channels of protection and response equalization for loudspeakers or subwoofers, as well as high and low pass filters.

L20 Dual Channel Limiter



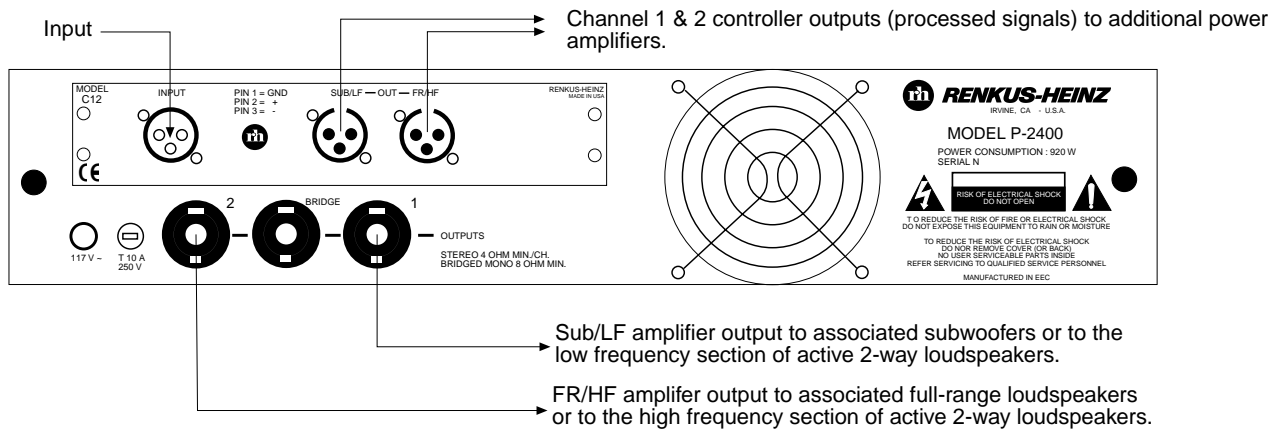
The L20 is a dual-channel protection (limiter) module designed as a cost effective way to provide loudspeaker protection in dual channel (stereo) systems.

The maximum level is easily adjusted using control switches.

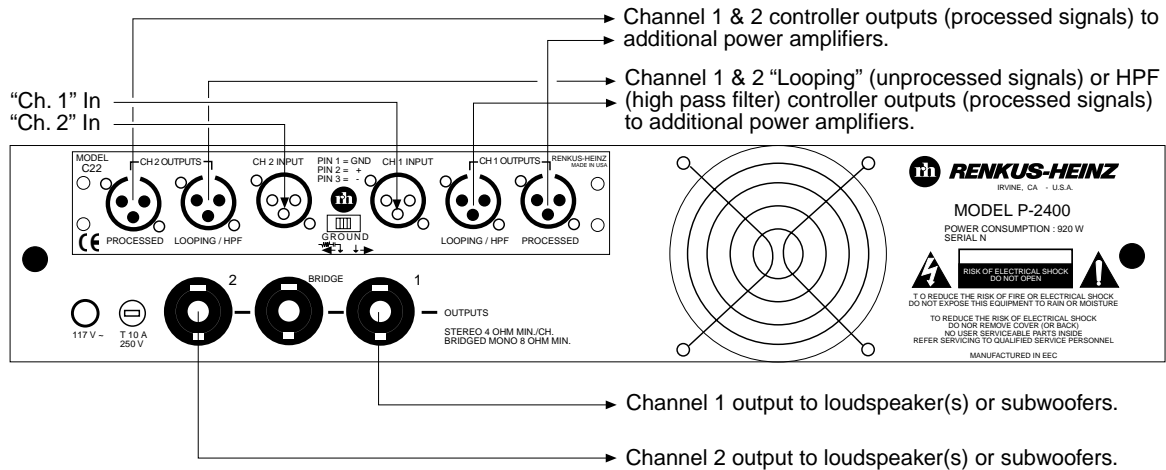
It effectively limits the maximum amount of power each amplifier channel can deliver to associated loudspeakers.

The L20 also includes a means of separately adjusting each amplifier channels low frequency output. This allows additional low frequency protection to be "dialed" into the system for loudspeakers having small, relatively low power woofers.

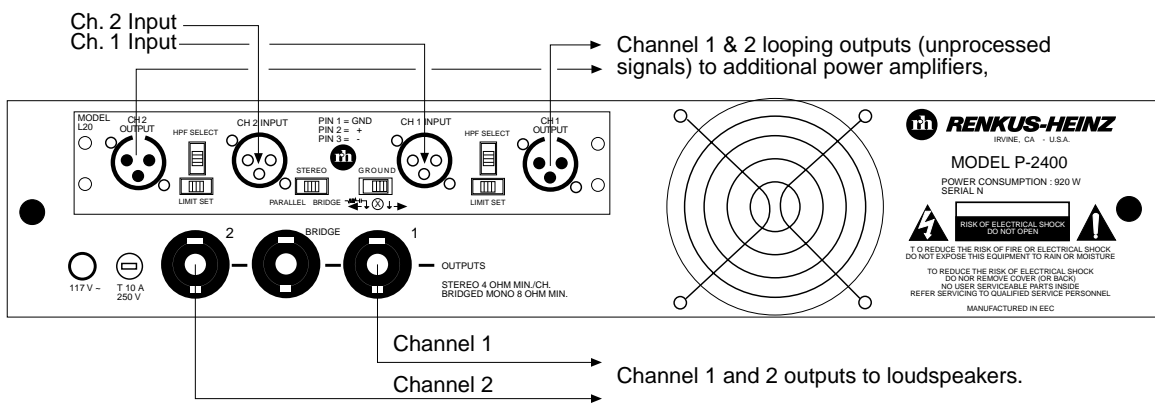
WIRING DIAGRAMS



C12 Loudspeaker Controller Wiring Diagram



C22 Loudspeaker Controller Wiring Diagram



L20 Limiter Wiring Diagram