

DRAWING NUMBER ISSUE
S-B626AS-07



TITLE: DAC MODULE

SHEET 2

FILENAME: S-B626AS-07.SCH

DRAWN: AW

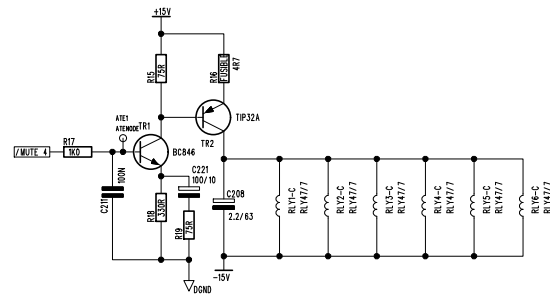
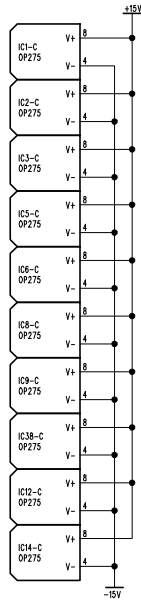
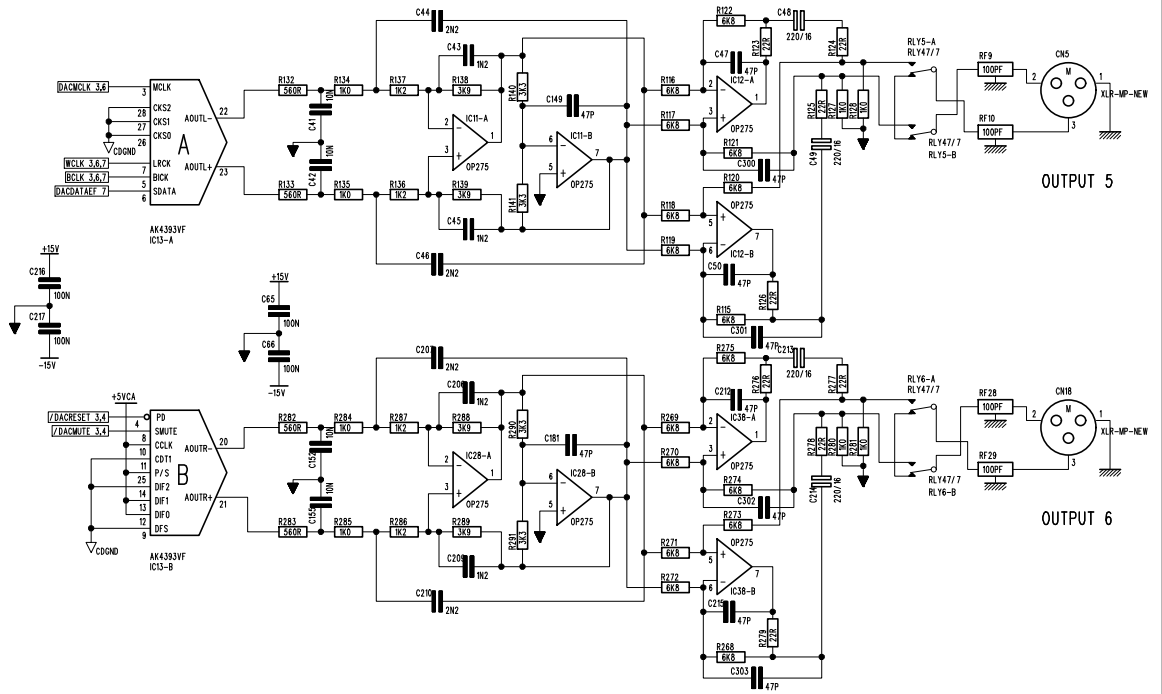
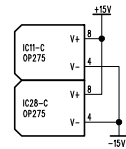
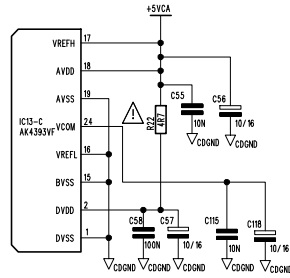
DATE: 23/05/97

CHECKED:

MATERIAL:

FINISH:

ISSUE COMMENTS:



THIS DRAWING IS THE COPYRIGHT OF BSS Audio Ltd. ALL REPRODUCTION AND COPYING, OTHER THAN THAT FOR LICENCED MANUFACTURES OWN INTERNAL USE, OR DISCLOSURE OF PART OR WHOLE TO A THIRD PARTY WITHOUT PRIOR WRITTEN AUTHORISATION IS IN VIOLATION OF THE COPYRIGHT. © BSS Audio Ltd 1994

ANY COMPONENT BEARING THIS MARK IS SAFETY CRITICAL PLEASE REFER TO SERVICE MANUAL

DRAWING NUMBER ISSUE
S-B626AS-07



TITLE: **ADC MODULE**

SHEET 6

FILENAME: **S-B626AS-07.SCH**

DRAWN: **AW**

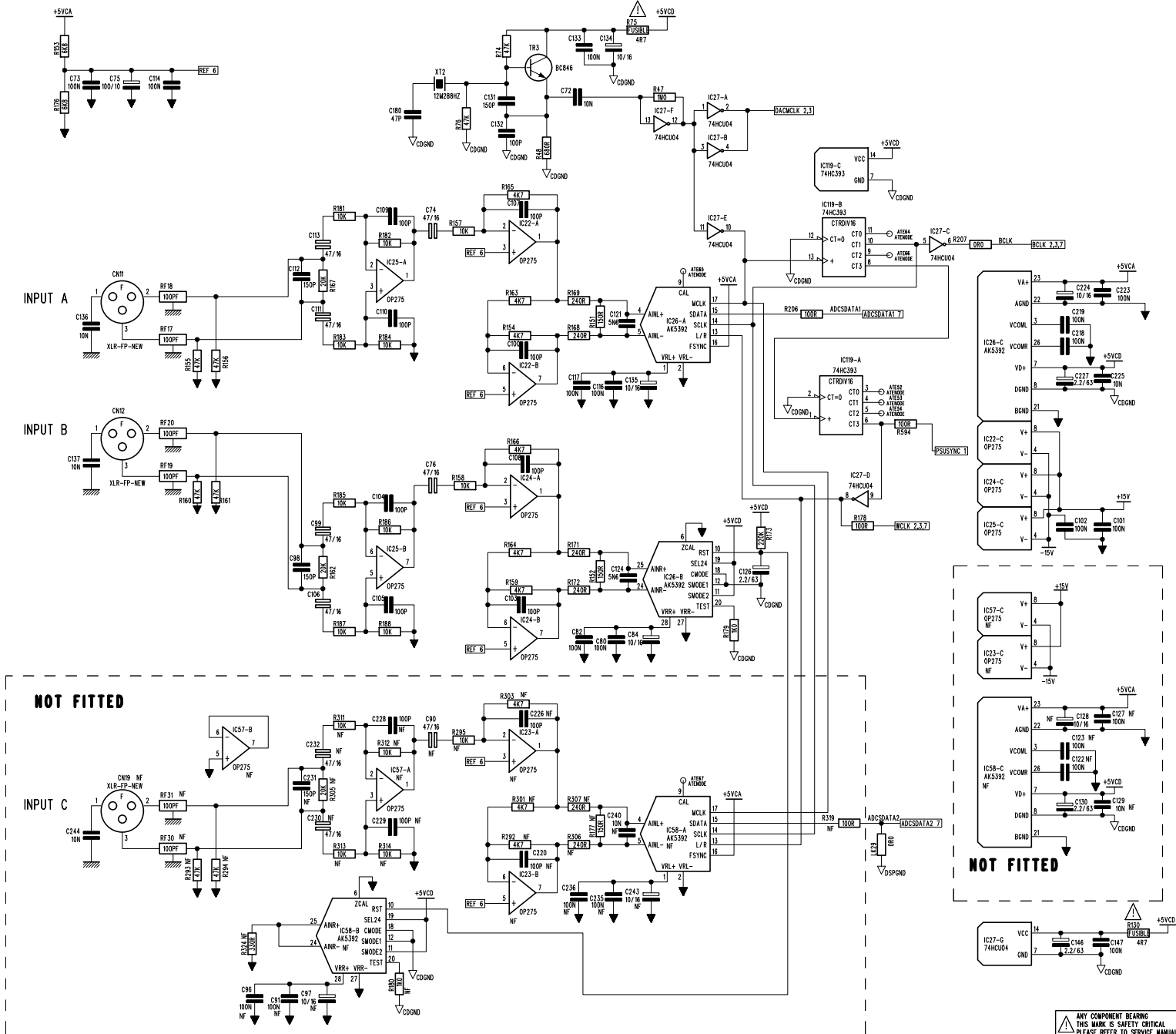
DATE: **06/04/98**

CHECKED:

MATERIAL:

FINISH:

ISSUE COMMENTS:



THIS DRAWING IS THE COPYRIGHT OF BSS Audio Ltd. ALL REPRODUCTION AND COPYING, OTHER THAN THAT FOR LICENCED MANUFACTURERS OWN INTERNAL USE, OR DISCLOSURE OF PART OR WHOLE TO A THIRD PARTY WITHOUT PRIOR WRITTEN AUTHORISATION IS IN VIOLATION OF THE COPYRIGHT.
 © BSS Audio Ltd 1994

ANY COMPONENT BEARING THIS MARK IS SAFETY CRITICAL. PLEASE REFER TO SERVICE MANUAL.