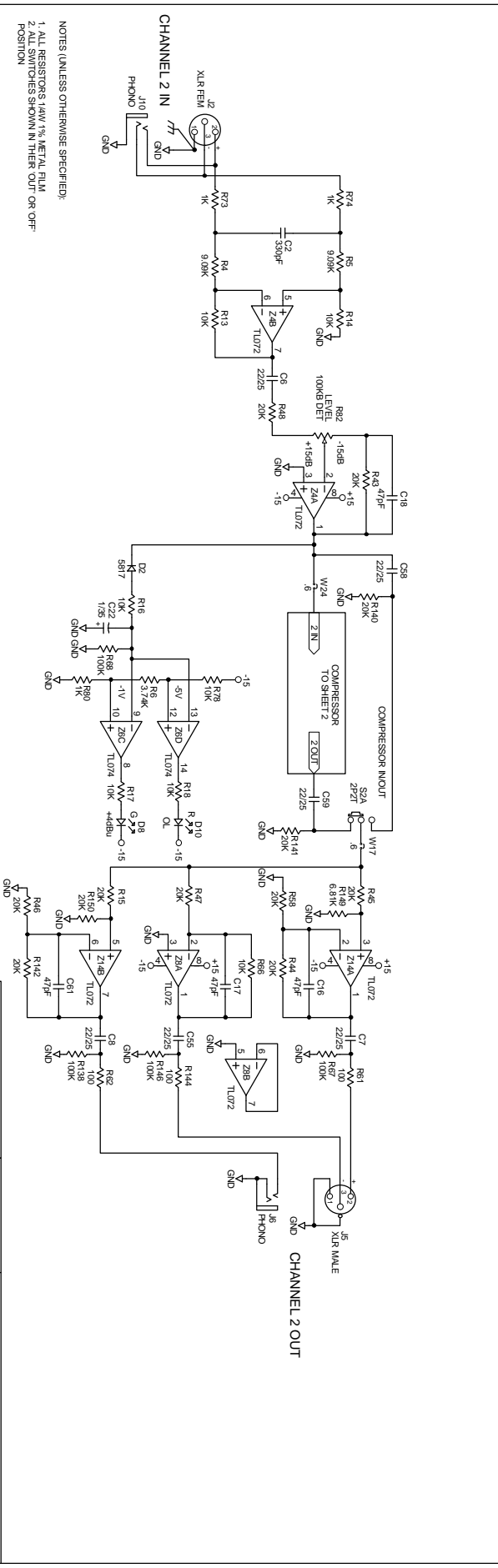
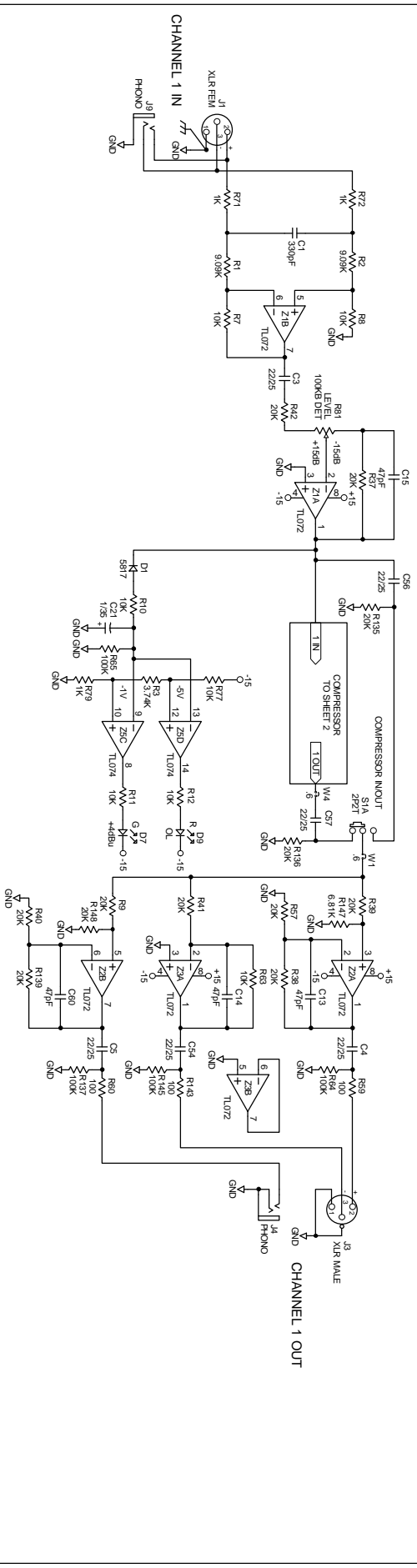


Rane Corp. (425)355-6000
 100603 DES MC 22
 ACTION: NO CHANGE TO PART, NEW DOC# FJ 4FEB98



NOTES (UNLESS OTHERWISE SPECIFIED):
 1. ALL RESISTORS 1/4W 1% METAL FILM
 2. ALL SWITCHES SHOWN IN THEIR "OUT" OR "OFF" POSITION!

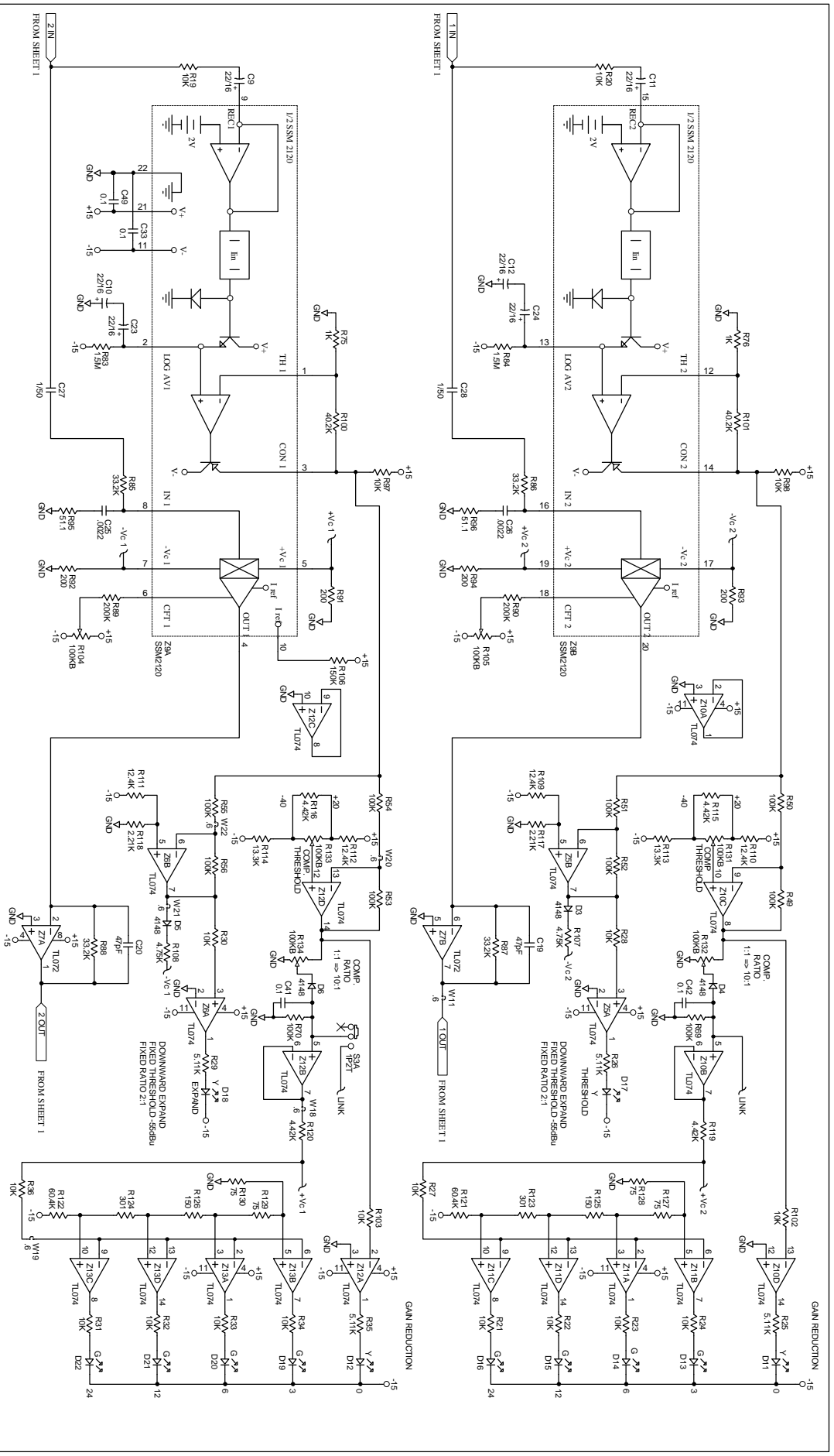
14MWC21100456-1.SCH 3-FEB-1998

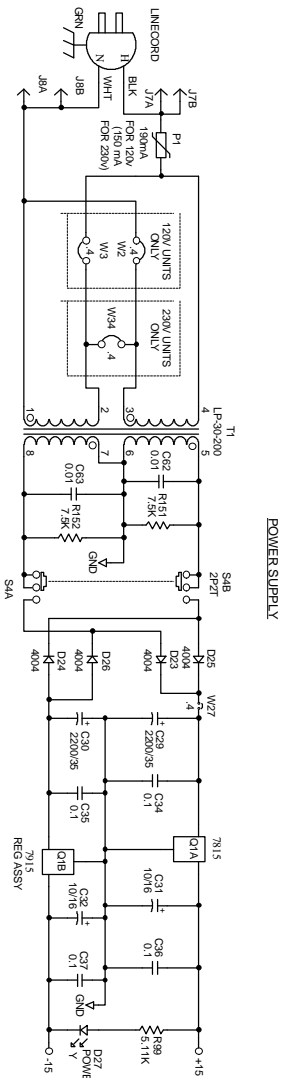
COMPRESSOR 100456-2.SCH POWER 100456-3.SCH

ACTION: NO CHANGE TO PART. DRAWN BY: SCHT 2-9-96. CHECKED BY: RSH 12-9-96.

100456-1 (REV. 0000) PANTE Mfg. (REV. 0000) V.A. 98275-5098

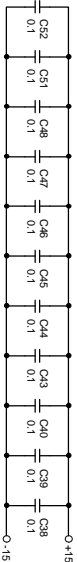
SHEET 1 OF 3 SCHEM.: L&R IN/OUT MC 22 100456



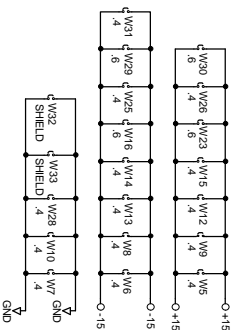


POWER SUPPLY

DECOUPLING CAPS



LUMPERS



ACTION: NO CHANGE TO PART
 NEW DOC# FJ 3FE898
 DRAWN BY: SMH 2-9-96
 CHECKED BY: RSH 2-9-96



SCHEM POWER MC 22
 3 OF 3
 100456