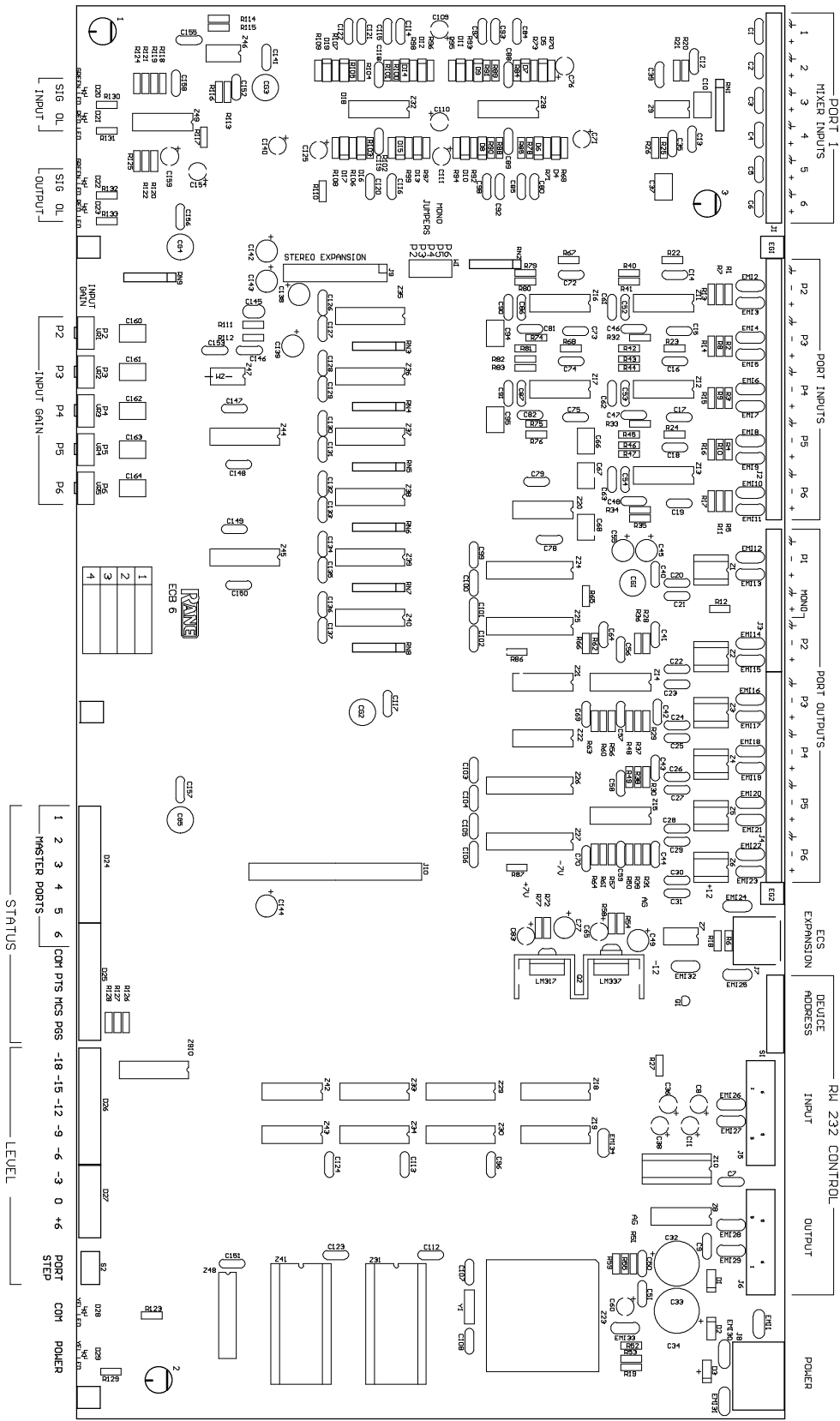
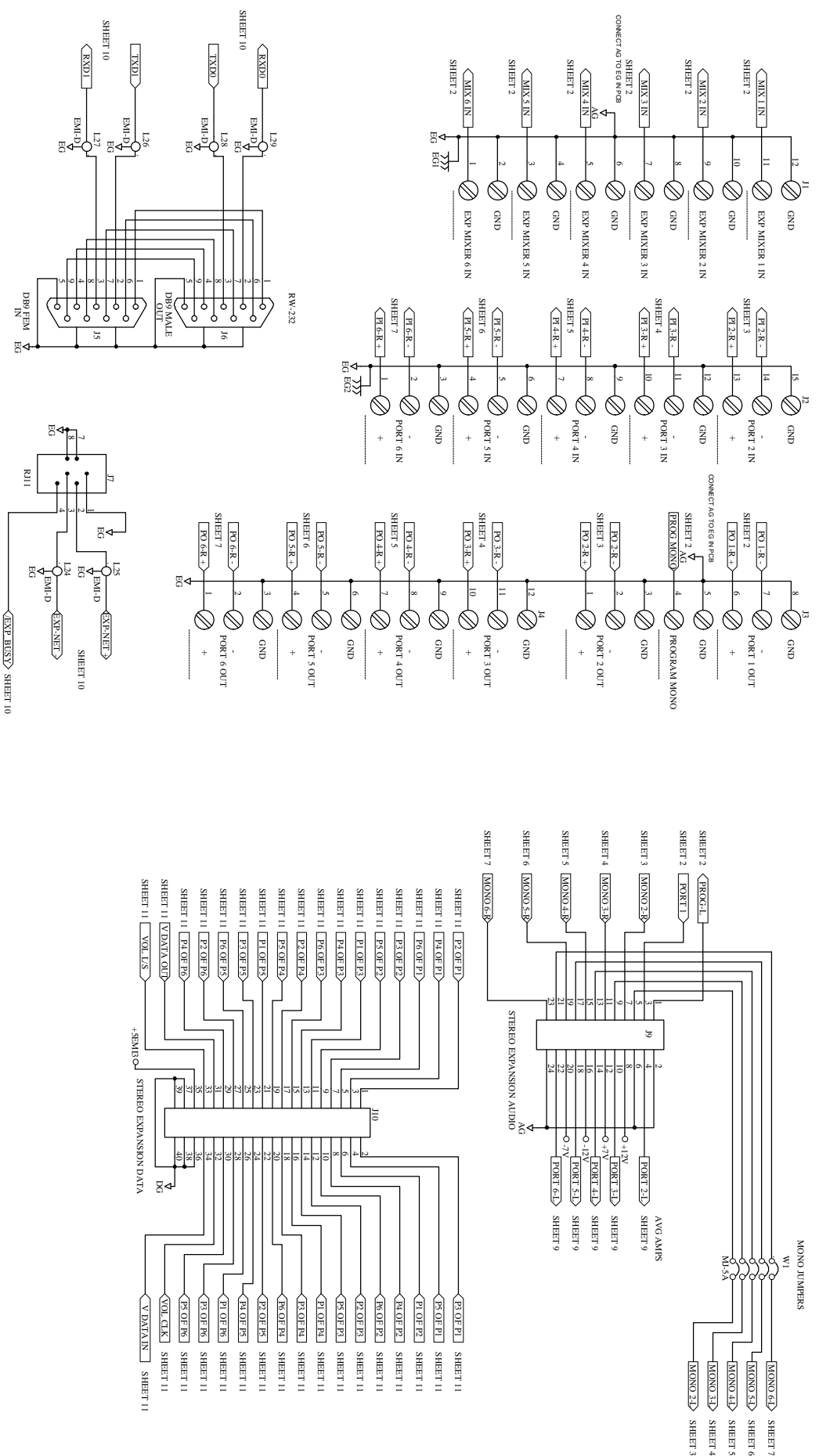
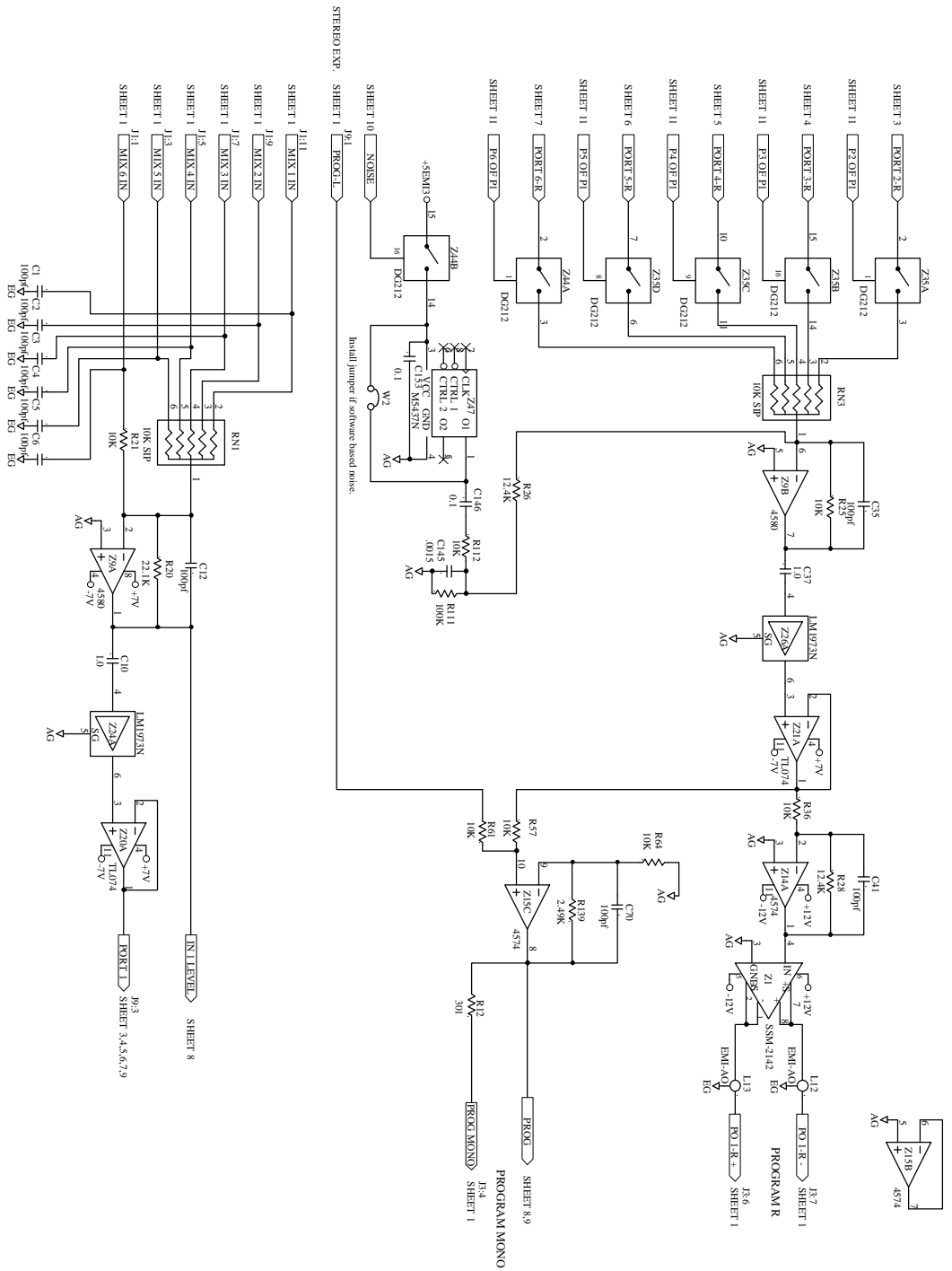


! * STATIC SENSITIVE *

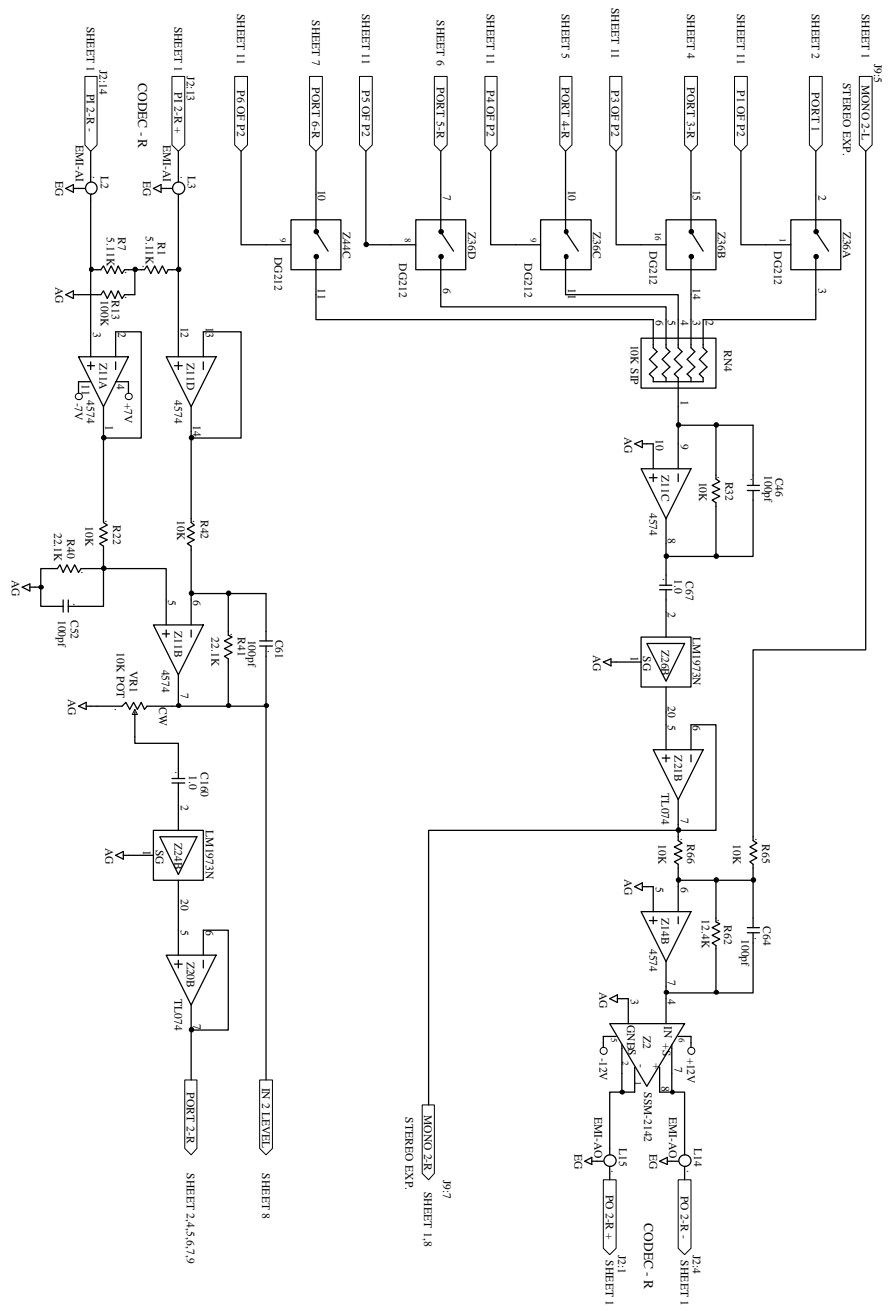


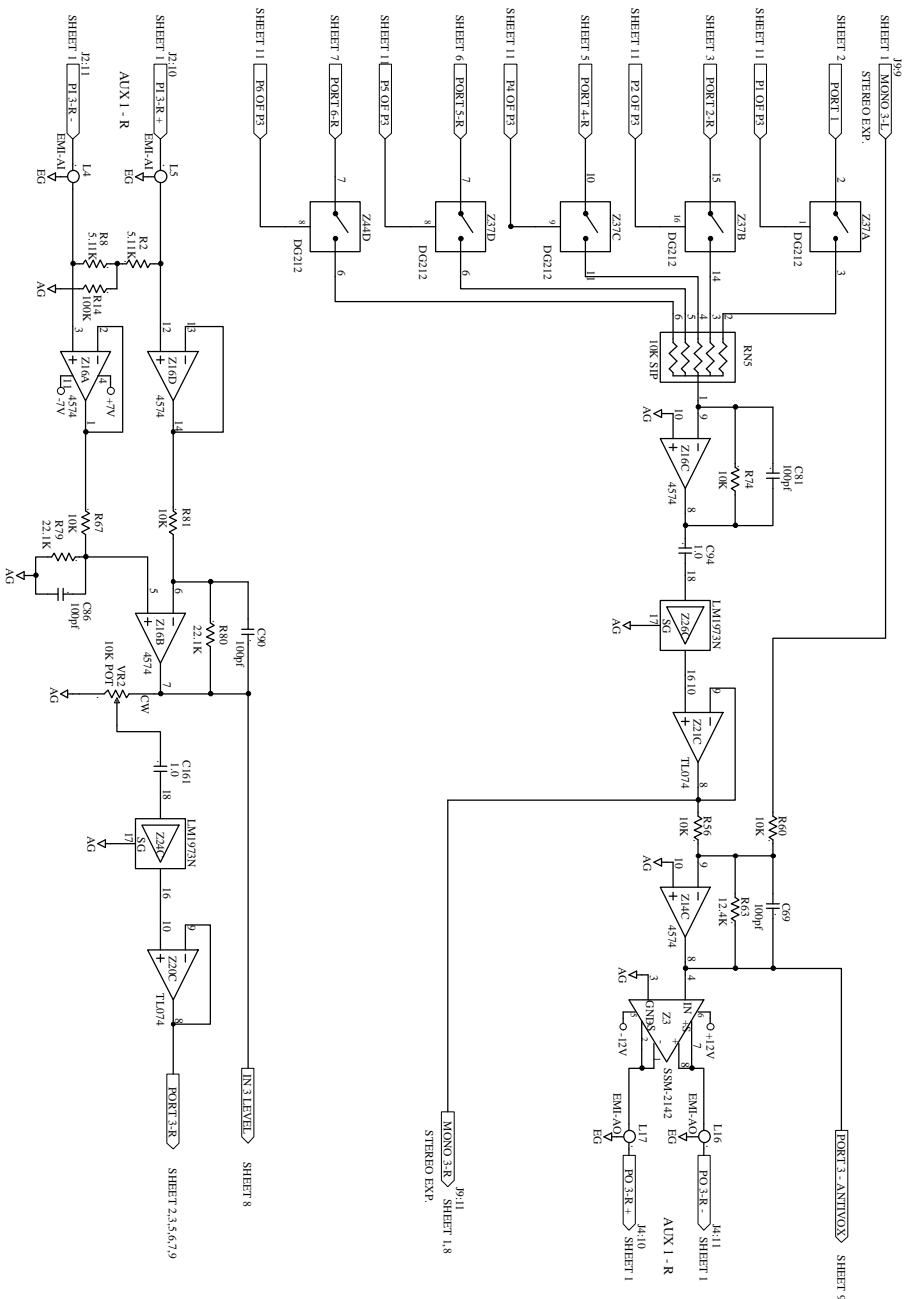


ACTION:		DRAWN: MHP SHERRY		CHECKED:		DATE: 3/4/1997		SHEET: 1		OF: 12		521-383		C	
RANE		ECB 6 Connector Sheet		RANE		10000 Lee Road, Fairfax, VA 22031		Tel: 703/261-4777		Fax: 703/261-4778		www.rane.com			

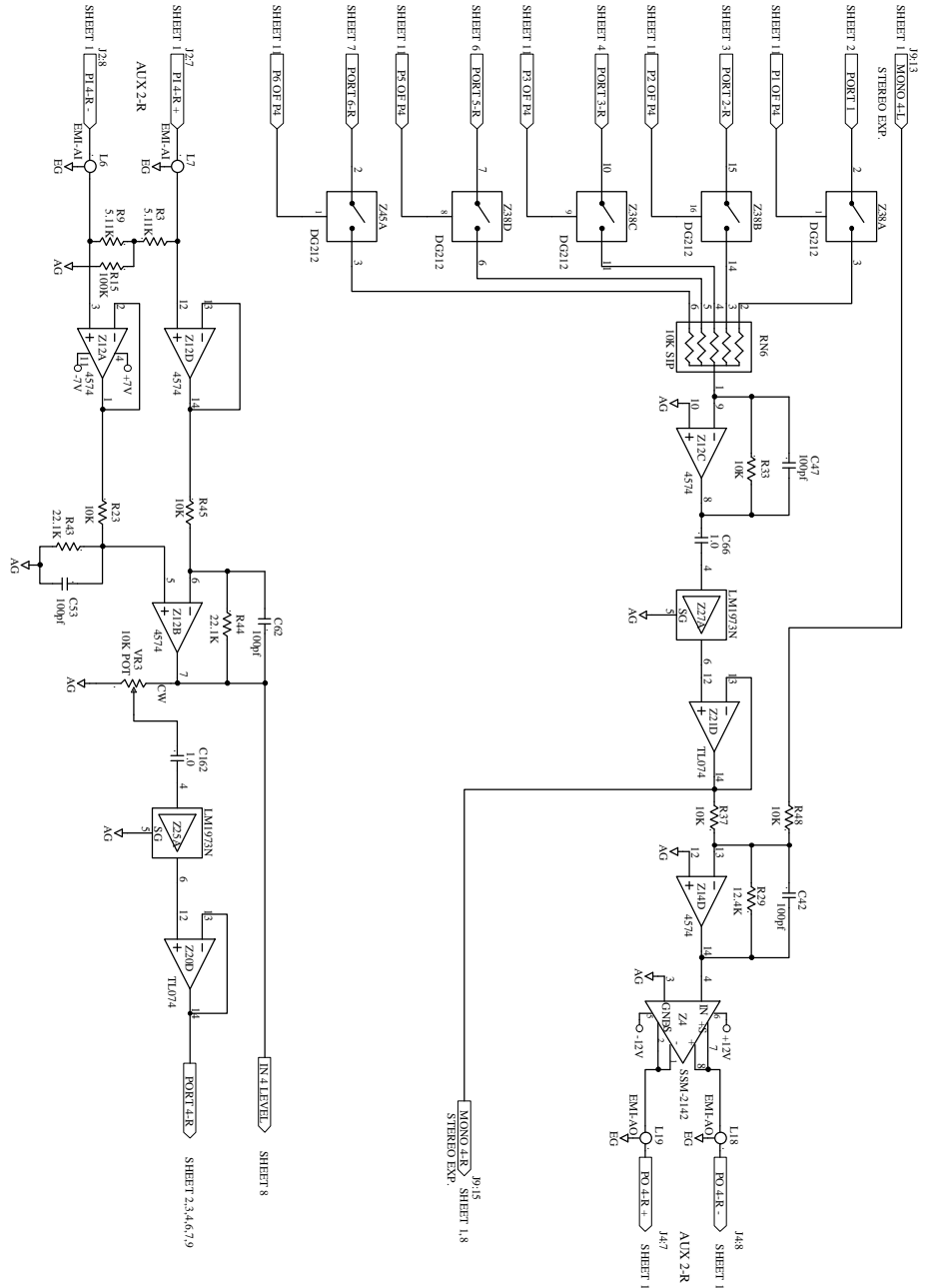


ACTION:		DRAWN: Mike Shilbey		CHECKED: Mike Shilbey	
DATE: 27/07/97		DRAWN: Mike Shilbey		CHECKED: Mike Shilbey	
PROJECT: ECB 6 PORT 1 : ROOM/PROG		DRAWN: Mike Shilbey		CHECKED: Mike Shilbey	
SHEET: 2 OF 12		DRAWN: Mike Shilbey		CHECKED: Mike Shilbey	
PART: 521-384		DRAWN: Mike Shilbey		CHECKED: Mike Shilbey	
C		DRAWN: Mike Shilbey		CHECKED: Mike Shilbey	





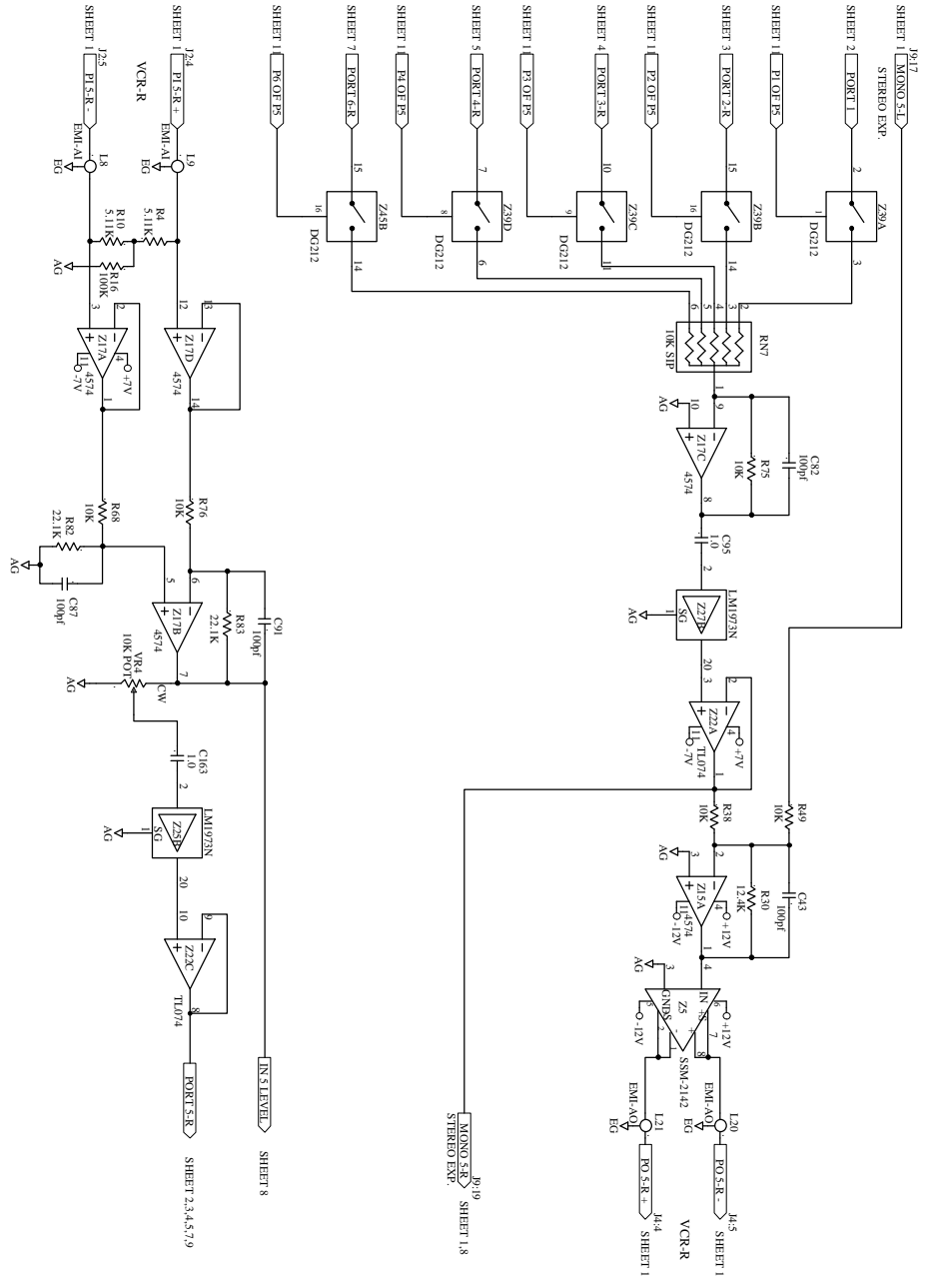
ACTION:			ECB 6 PORT 3 : AUX 1 - R
DESIGN:	Checked:		
DATE:	DATE:	10/04/87 Modugno Via 98275-0088 4 OT 12 521-386	
NO:	NO:	4 OT 12 521-386	
		C	



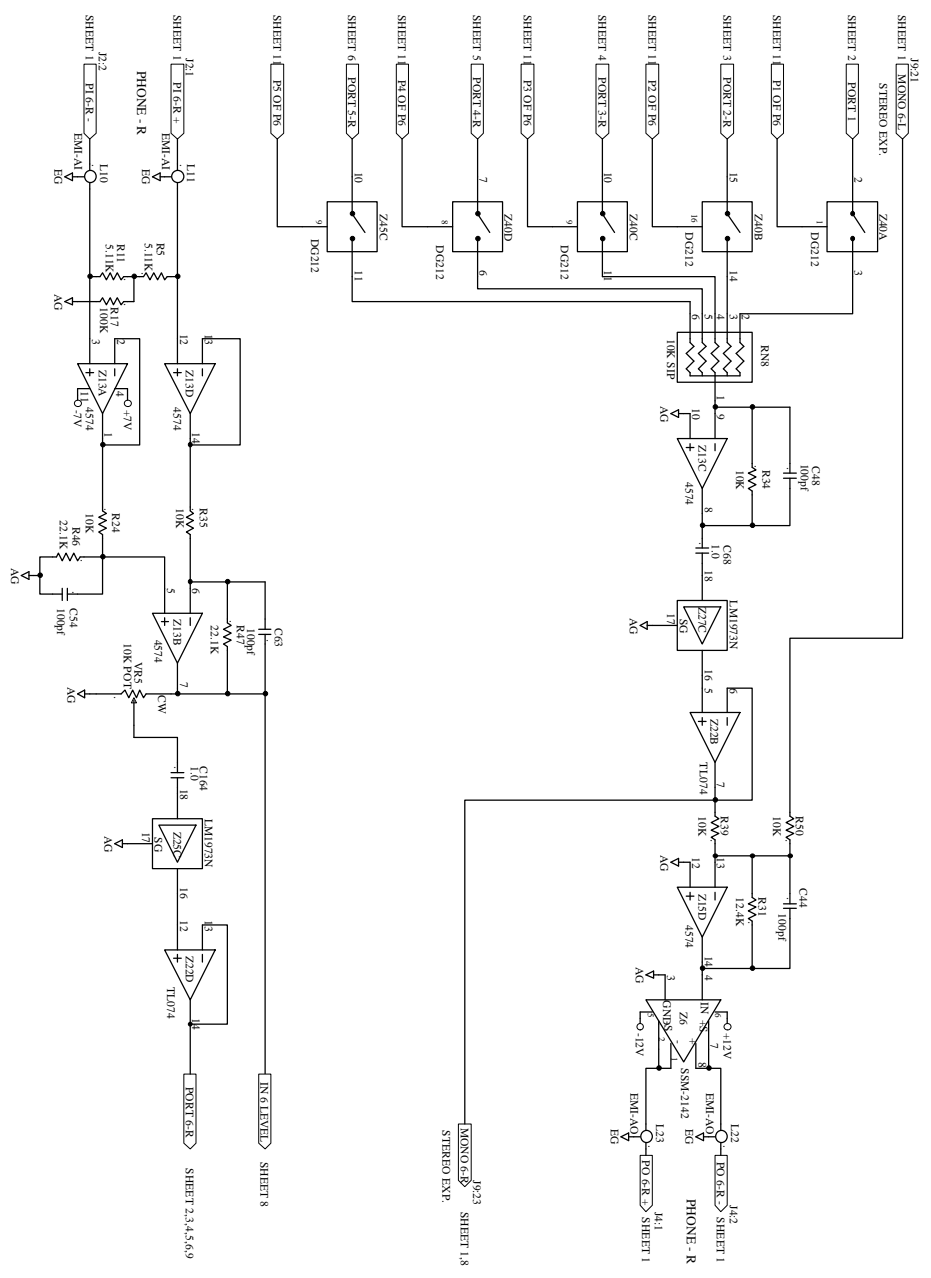
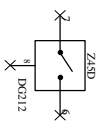
H:\ECB\ECB\B.SCH

3-04-1987

ACTION:			ECB 6 PORT 4 : AUX 2 - R
DRAWN: Mike Sherry	CHECKED:		
TARA STEINBERG Manager VIA 98275-0088		SHEET 1 OF 12	521-387
			C



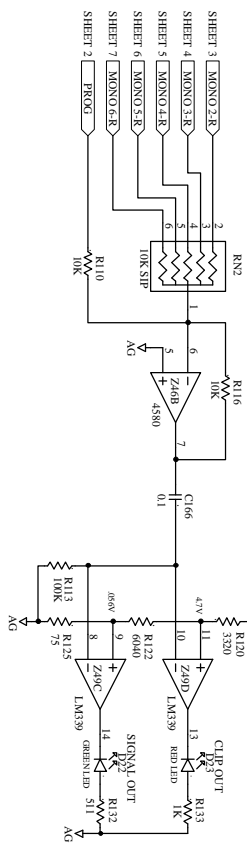
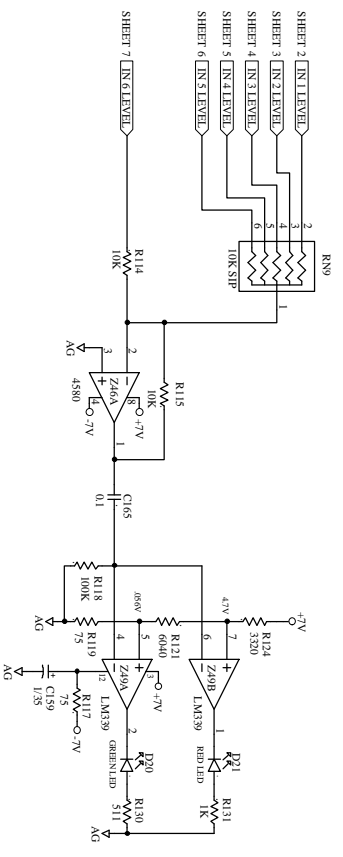
ACTION:			ECB 6 PORT 5 : VCR - R
DESIGNED BY	CHECKED		
DRAWN: Mike Shively DATE: 01/12/88	CHECKED:	FABRIK: 3700000000 MUMBAI: V/A 98275-5088	SHEET: 1 OF 12 521-388
			C




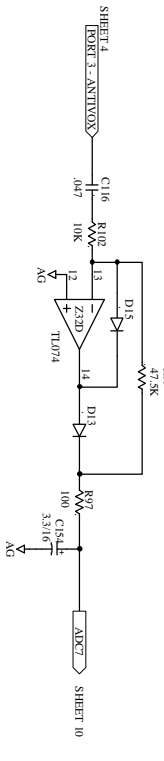
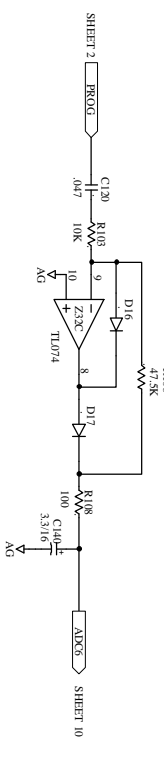
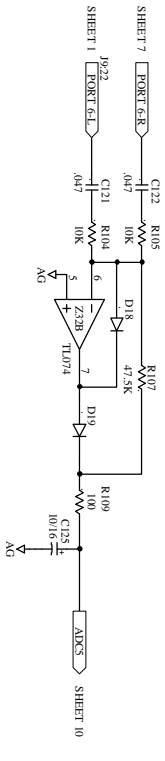
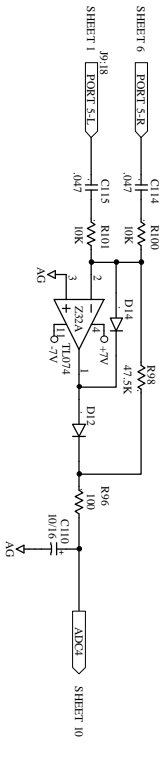
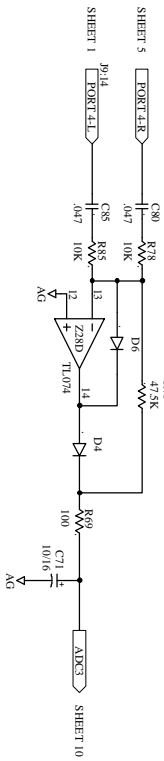
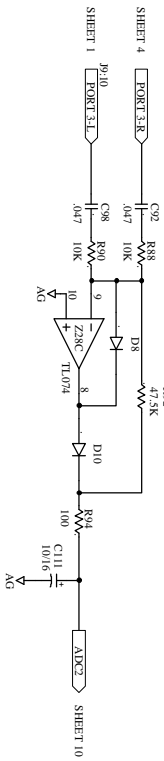
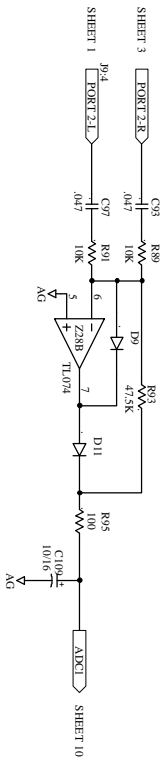
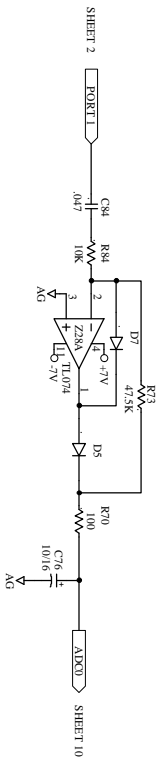
H:\E\CB\ECBP\SCH

3-04-1987

ACTION:			ECB 6 PORT 6 : PHONE - R
DESIGNED BY	DATE		
DRAWN	CHECKED		7 OF 12 521-389
DATE	REVISION		C
TORONTO: 416-291-9300 MIDDLETOWN: 914-942-2000 MIDDLETOWN: VA 98275-5088			



ACTION:		DRAWN: Mike Sherry		CHECKED:				ECB 6 IO SIGNAL & CLIP	
						10800 27th November 1997 Maastricht, V/A 98275-5088		SHEET 1 OF 12 521-390	
								C	



ACTION:			ECB 6 AVG AMPS P1-P6
DESIGNED BY	DATE		
DRAWN	CHECKED	10800 27th November 1997 Muddingra WA 98275-5098	SHEET 7 9 OF 12 521-391
MBO Shimmy			C

