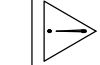


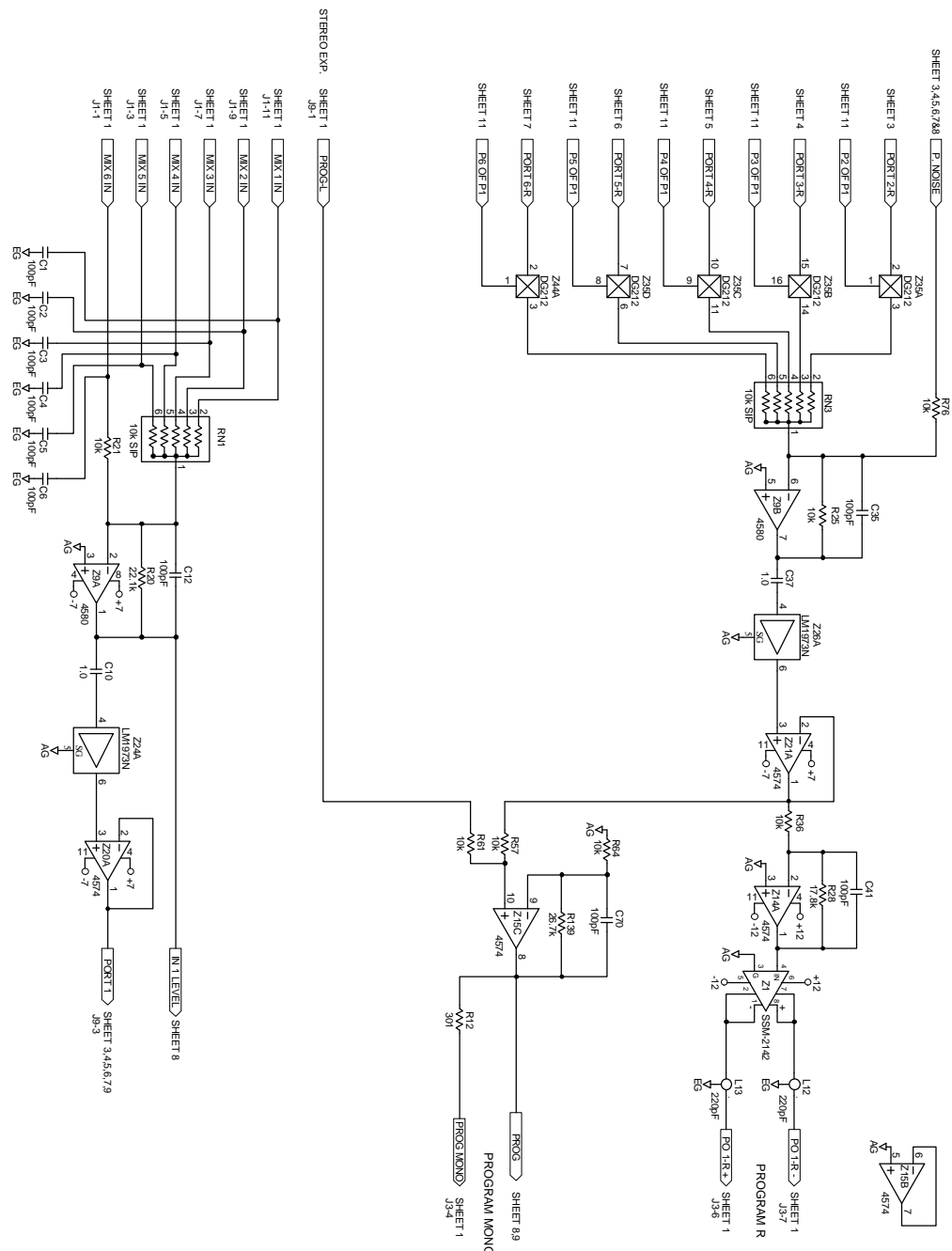
- PORT 1: ROOM/ROOM 1029544.2SCH
- PORT 2: CODEC-R 1029544.3SCH
- PORT 3: AUX 4-R 1029544.4SCH
- PORT 4: AUX 2-R 1029544.5SCH
- PORT 5: VCR-R 1029544.6SCH
- PORT 6: PANNER 1029547.1SCH
- NO SIGNAL & CLIP 1029544.8SCH
- AVG AMPS P1-P8 1029544.9SCH
- MASTER PROCESSOR 10295410.SCH
- PORT DECODERS: P1-P8 10295411.SCH
- PORT SIGNAL V 10295412.SCH

1029544.2SCH  
1029544.3SCH  
1029544.4SCH  
1029544.5SCH  
1029544.6SCH  
1029547.1SCH  
1029544.8SCH  
1029544.9SCH  
10295410.SCH  
10295411.SCH  
10295412.SCH

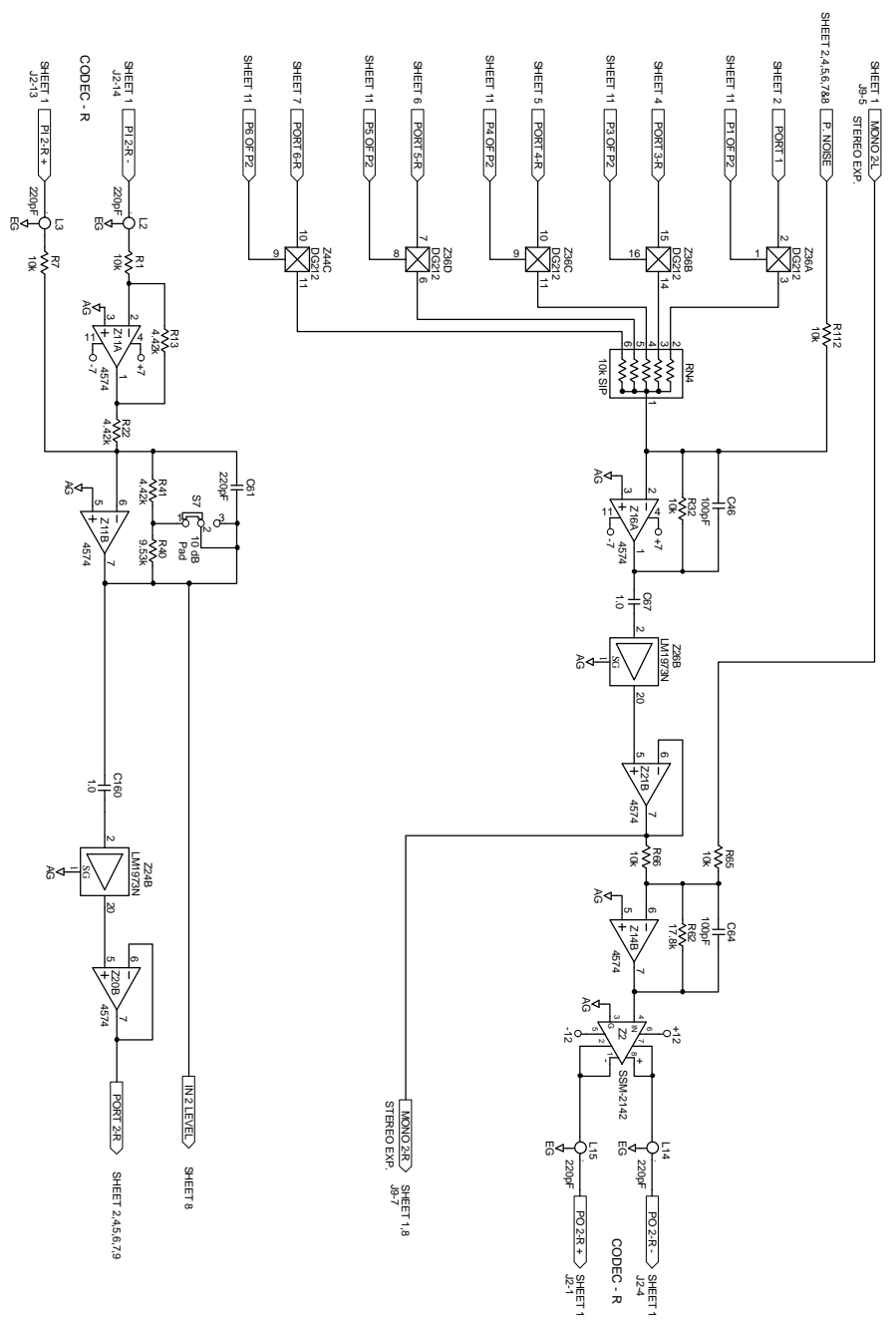
21-May-1999



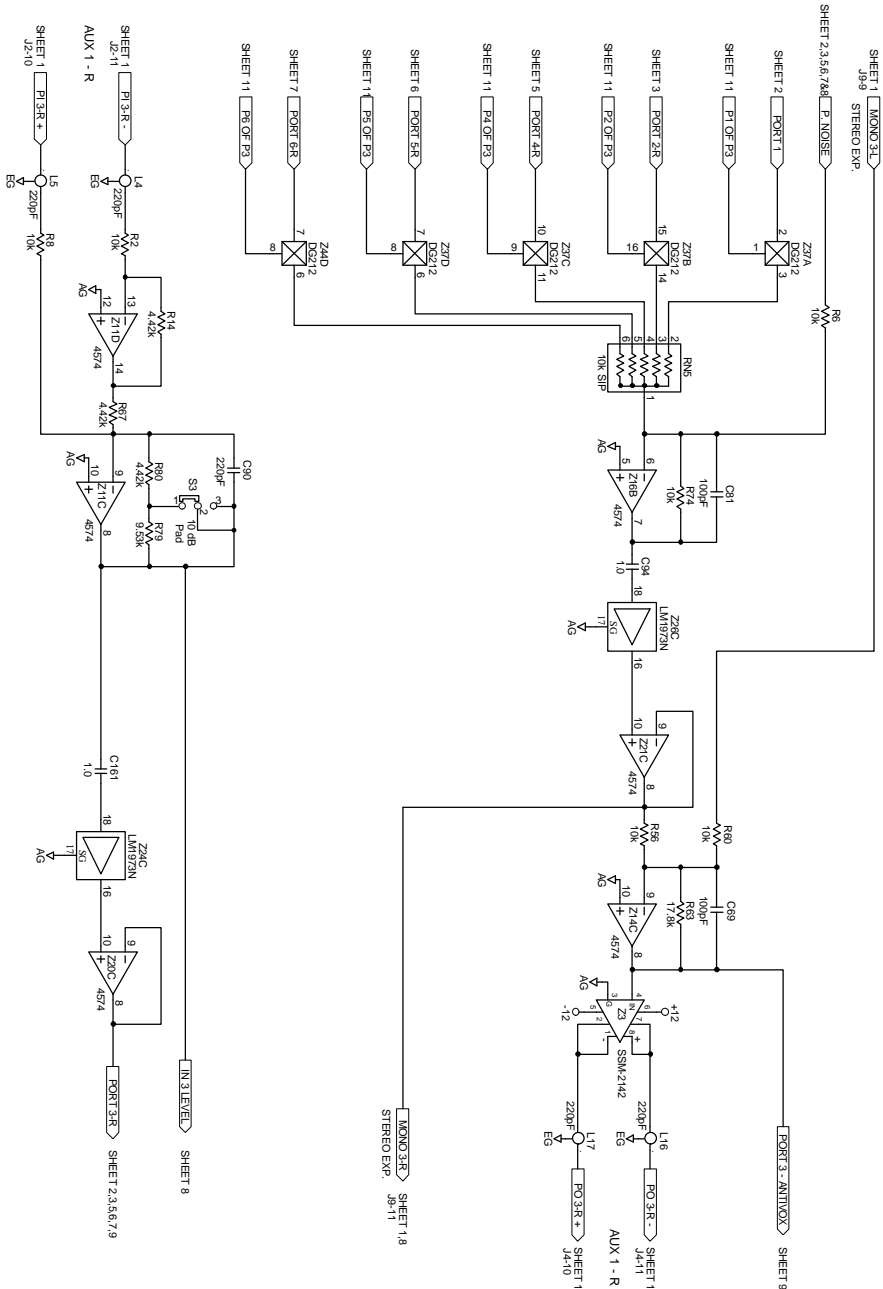
ACTION: DESIGNED FROM 1029544  
 NO CHANGE TO THIS SHEET  
 DRAWN BY: MS  
 CHECKED BY: EMS  
 DATE: 10/29/98  
 NUMBER: 1029544  
 SHEET: 1 OF 12  
 1029544  
 CONNECTOR SHEET ECB 62



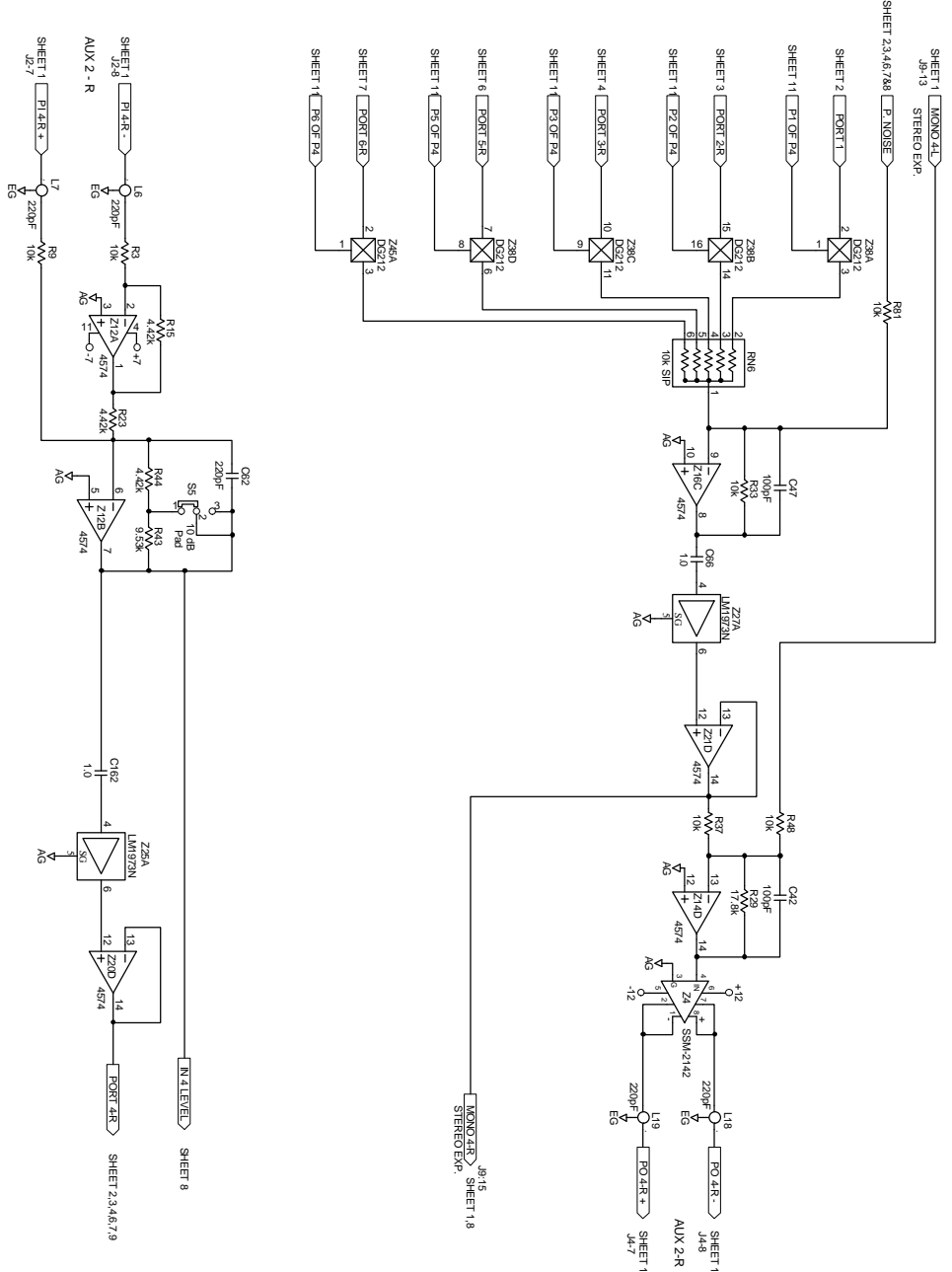
ACTION: DERIVED FROM 102796		
DRAWN BY: MNS		
DESIGNED BY: EMS		
CHECKED BY: EMS		
PART 1 : ROOM/PROG ECB 62		SHEET 1 2 of 12 102954



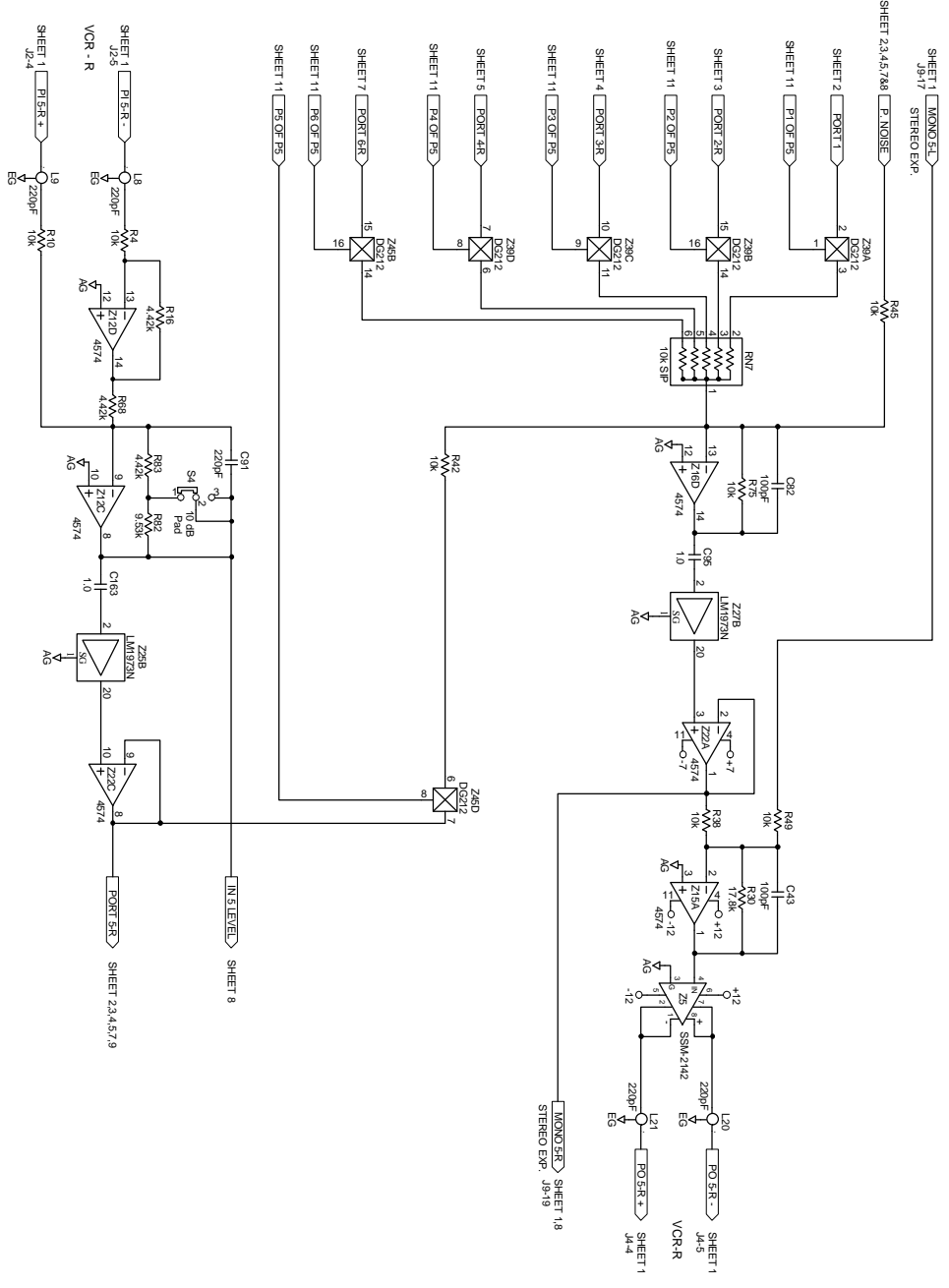
ACTION:	DESIGNED BY: P. J. M. 10/78		<b>PORT 2 : CODEC - R</b> ECB 62
DRAWN BY:	MS		
CHECKED BY:	EMS	102954 Modugno VA 98275-5098	3 of 12 102954



ACTION:	DESIGNED BY:	DATE:	REVISED BY:	DATE:
DESIGNED BY:	MS	CHECKED BY:	EMS	10/29/98
PORT 3 - AUX 1 - R ECB 62				
SHEET 4 OF 12 102954				



ACTION		DESIGNED BY: J. H. HARRIS		DATE: 19/05/99	
DRAWN BY: MS		CHECKED BY: EMS		SHEET: 5 of 12	
11/ECB24102954.5.SCH		PORT 4 : AUX 2 - R ECB 62		SHEET 5 of 12	



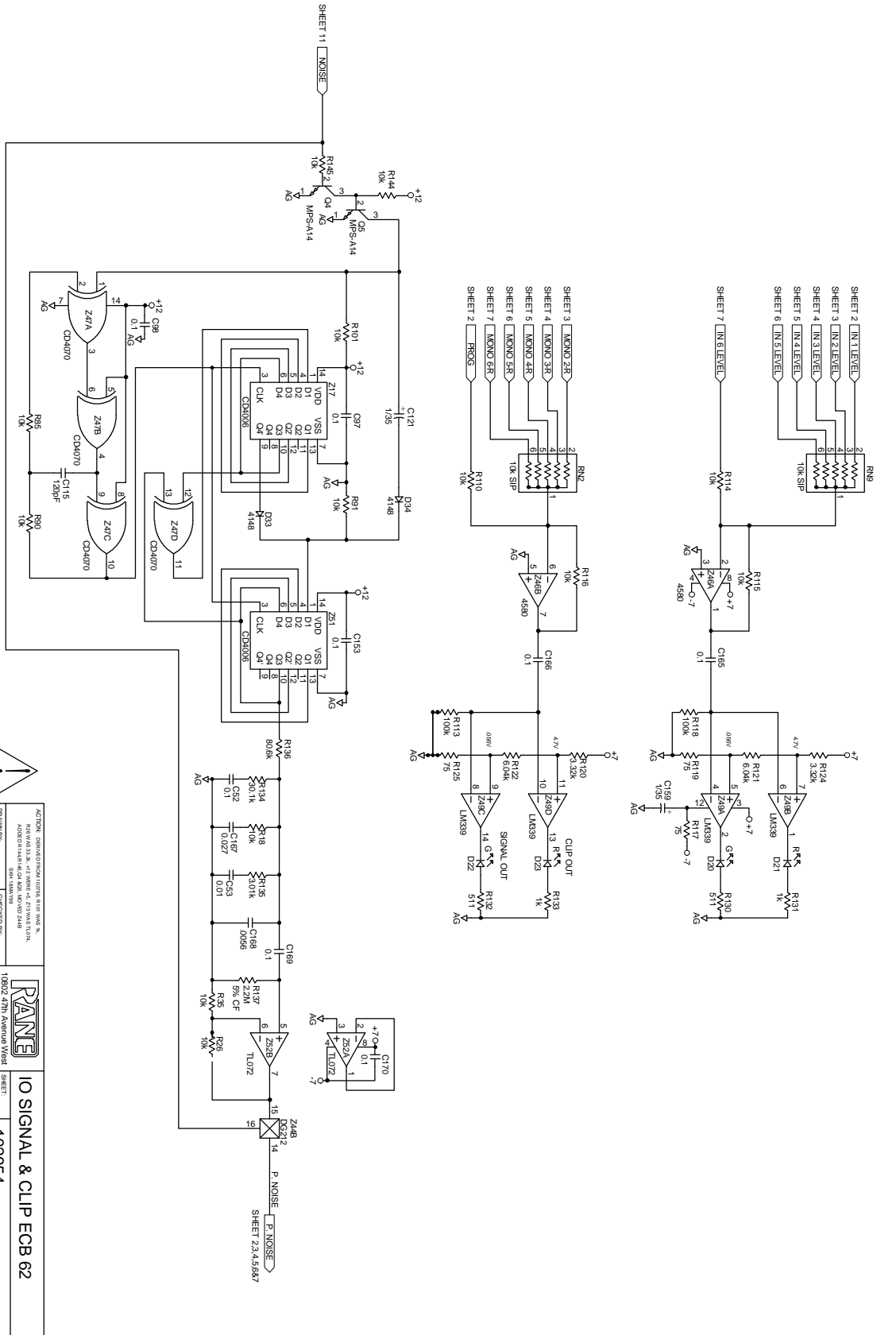
ACTION:	DESIGNED BY: MNS	CHECKED BY: EMS
DESIGNED BY: MNS	CHECKED BY: EMS	



PORT 5 : VCR - R ECB 62  
 6 of 12



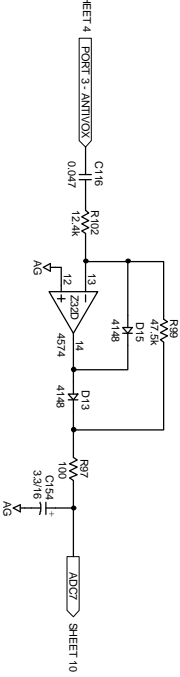
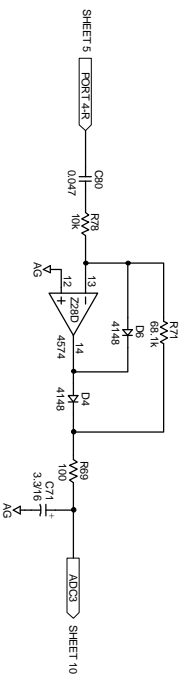
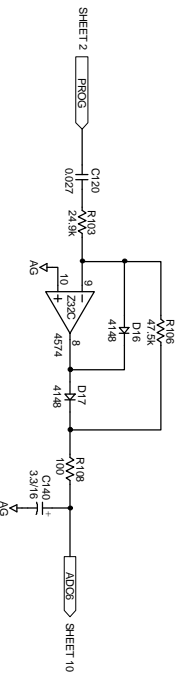
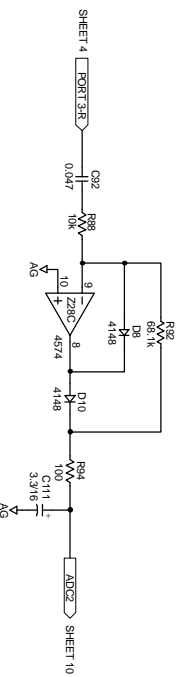
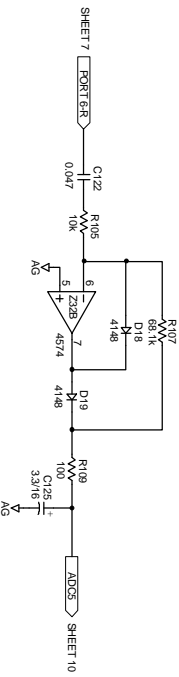
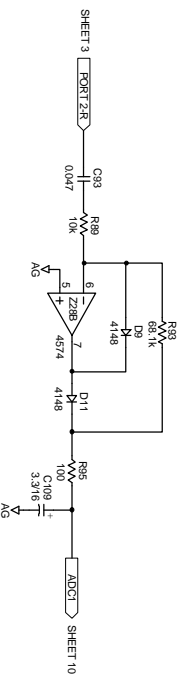
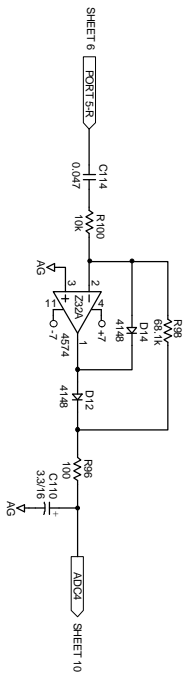
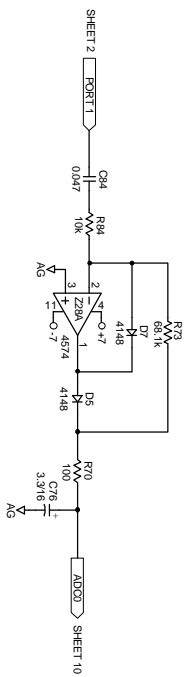




ACTION: SUBMITTED FOR APPROVAL  
 DRAWN BY: MS  
 CHECKED BY: EMS  
 DATE: 10/29/98  
 NUMBER: 102954-8  
 SHEET: 8 OF 12  
 TITLE: IO SIGNAL & CLIP ECB 62

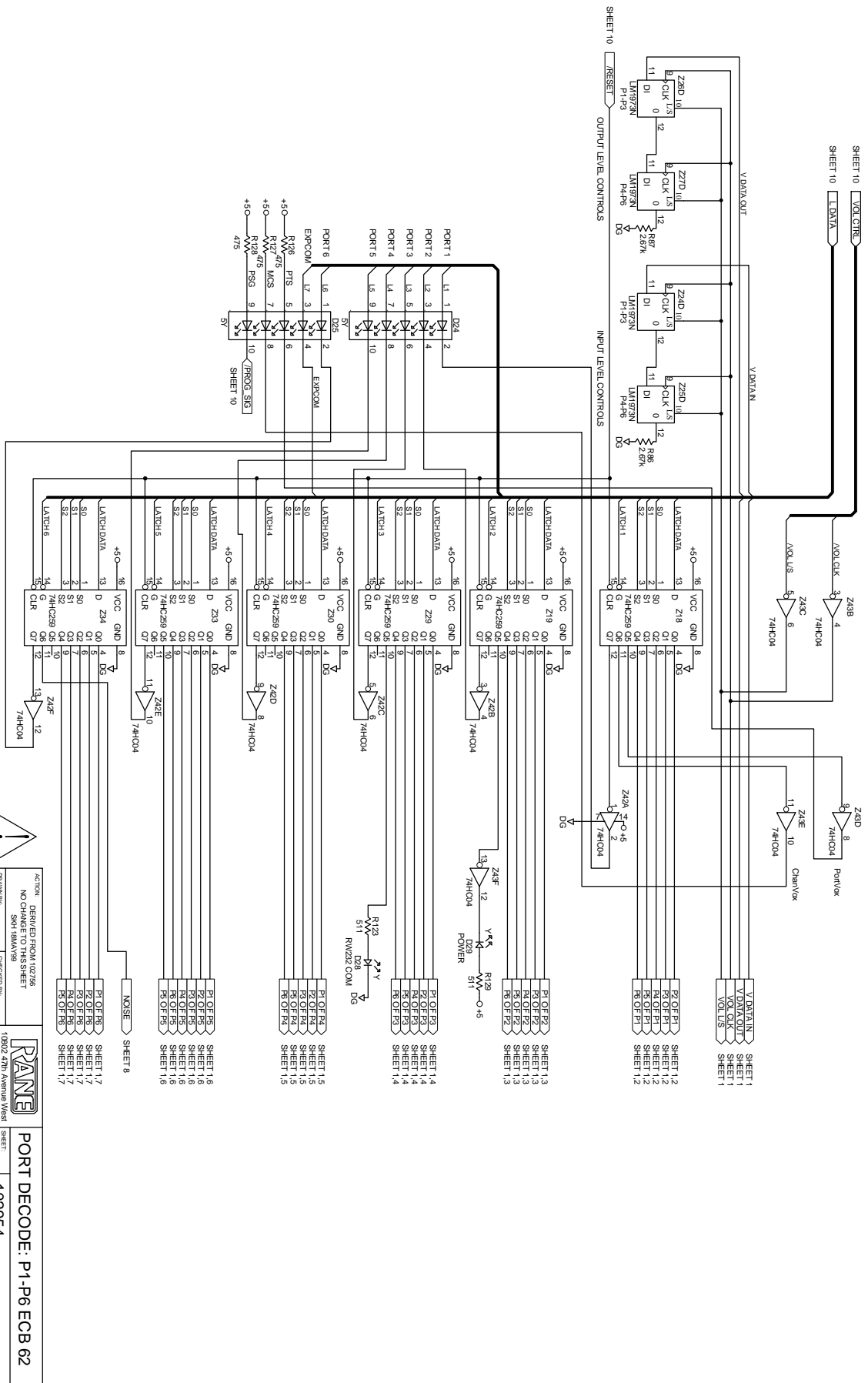


RANE  
 102954-8  
 8 OF 12  
 IO SIGNAL & CLIP ECB 62

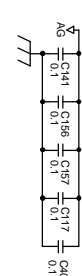
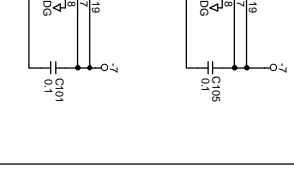
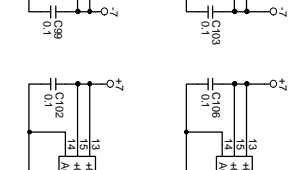
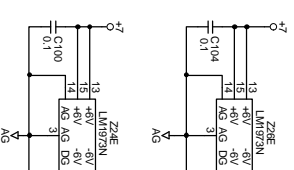
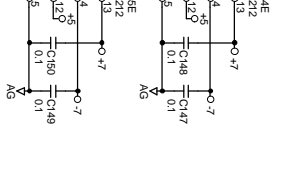
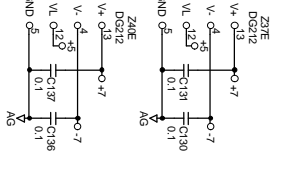
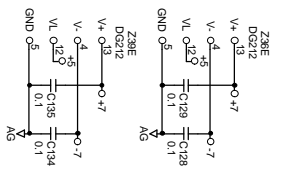
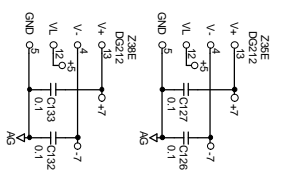
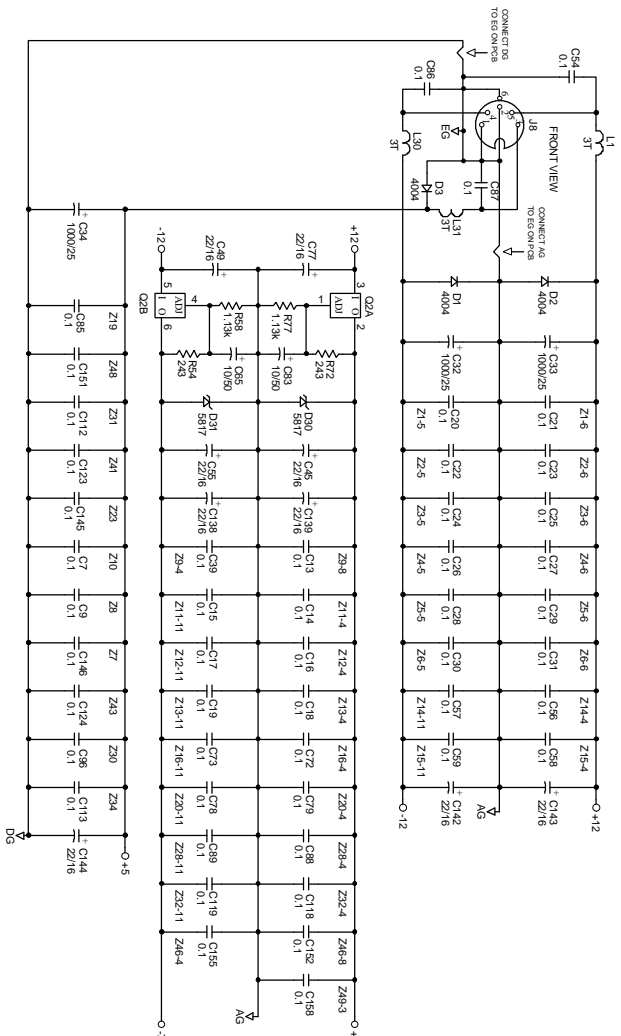


ACTION	DESIGNATIONAL MARKS		<b>AVG AMPS P1-P6 ECB 62</b>
NO CHANGE TO THIS SHEET	SHR BRN/BR		
DRAWN BY: MS	CHECKED BY: EMS	102954-9	SHEET 9 OF 12
		Middletown, VA 22645-5098	102954





Sheet	Port	Decode	ECB	CB
SHEET 10	PORT 1	PORT 1	PORT 1	PORT 1
SHEET 10	PORT 2	PORT 2	PORT 2	PORT 2
SHEET 10	PORT 3	PORT 3	PORT 3	PORT 3
SHEET 10	PORT 4	PORT 4	PORT 4	PORT 4
SHEET 10	PORT 5	PORT 5	PORT 5	PORT 5
SHEET 10	PORT 6	PORT 6	PORT 6	PORT 6
SHEET 10	PORT 7	PORT 7	PORT 7	PORT 7
SHEET 10	PORT 8	PORT 8	PORT 8	PORT 8
SHEET 10	PORT 9	PORT 9	PORT 9	PORT 9
SHEET 10	PORT 10	PORT 10	PORT 10	PORT 10
SHEET 10	PORT 11	PORT 11	PORT 11	PORT 11
SHEET 10	PORT 12	PORT 12	PORT 12	PORT 12
SHEET 10	PORT 13	PORT 13	PORT 13	PORT 13
SHEET 10	PORT 14	PORT 14	PORT 14	PORT 14
SHEET 10	PORT 15	PORT 15	PORT 15	PORT 15
SHEET 10	PORT 16	PORT 16	PORT 16	PORT 16
SHEET 10	PORT 17	PORT 17	PORT 17	PORT 17
SHEET 10	PORT 18	PORT 18	PORT 18	PORT 18
SHEET 10	PORT 19	PORT 19	PORT 19	PORT 19
SHEET 10	PORT 20	PORT 20	PORT 20	PORT 20
SHEET 10	PORT 21	PORT 21	PORT 21	PORT 21
SHEET 10	PORT 22	PORT 22	PORT 22	PORT 22
SHEET 10	PORT 23	PORT 23	PORT 23	PORT 23
SHEET 10	PORT 24	PORT 24	PORT 24	PORT 24
SHEET 10	PORT 25	PORT 25	PORT 25	PORT 25
SHEET 10	PORT 26	PORT 26	PORT 26	PORT 26
SHEET 10	PORT 27	PORT 27	PORT 27	PORT 27
SHEET 10	PORT 28	PORT 28	PORT 28	PORT 28
SHEET 10	PORT 29	PORT 29	PORT 29	PORT 29
SHEET 10	PORT 30	PORT 30	PORT 30	PORT 30
SHEET 10	PORT 31	PORT 31	PORT 31	PORT 31
SHEET 10	PORT 32	PORT 32	PORT 32	PORT 32
SHEET 10	PORT 33	PORT 33	PORT 33	PORT 33
SHEET 10	PORT 34	PORT 34	PORT 34	PORT 34
SHEET 10	PORT 35	PORT 35	PORT 35	PORT 35
SHEET 10	PORT 36	PORT 36	PORT 36	PORT 36
SHEET 10	PORT 37	PORT 37	PORT 37	PORT 37
SHEET 10	PORT 38	PORT 38	PORT 38	PORT 38
SHEET 10	PORT 39	PORT 39	PORT 39	PORT 39
SHEET 10	PORT 40	PORT 40	PORT 40	PORT 40
SHEET 10	PORT 41	PORT 41	PORT 41	PORT 41
SHEET 10	PORT 42	PORT 42	PORT 42	PORT 42
SHEET 10	PORT 43	PORT 43	PORT 43	PORT 43
SHEET 10	PORT 44	PORT 44	PORT 44	PORT 44
SHEET 10	PORT 45	PORT 45	PORT 45	PORT 45
SHEET 10	PORT 46	PORT 46	PORT 46	PORT 46
SHEET 10	PORT 47	PORT 47	PORT 47	PORT 47
SHEET 10	PORT 48	PORT 48	PORT 48	PORT 48
SHEET 10	PORT 49	PORT 49	PORT 49	PORT 49
SHEET 10	PORT 50	PORT 50	PORT 50	PORT 50
SHEET 10	PORT 51	PORT 51	PORT 51	PORT 51
SHEET 10	PORT 52	PORT 52	PORT 52	PORT 52
SHEET 10	PORT 53	PORT 53	PORT 53	PORT 53
SHEET 10	PORT 54	PORT 54	PORT 54	PORT 54
SHEET 10	PORT 55	PORT 55	PORT 55	PORT 55
SHEET 10	PORT 56	PORT 56	PORT 56	PORT 56
SHEET 10	PORT 57	PORT 57	PORT 57	PORT 57
SHEET 10	PORT 58	PORT 58	PORT 58	PORT 58
SHEET 10	PORT 59	PORT 59	PORT 59	PORT 59
SHEET 10	PORT 60	PORT 60	PORT 60	PORT 60
SHEET 10	PORT 61	PORT 61	PORT 61	PORT 61
SHEET 10	PORT 62	PORT 62	PORT 62	PORT 62
SHEET 10	PORT 63	PORT 63	PORT 63	PORT 63
SHEET 10	PORT 64	PORT 64	PORT 64	PORT 64
SHEET 10	PORT 65	PORT 65	PORT 65	PORT 65
SHEET 10	PORT 66	PORT 66	PORT 66	PORT 66
SHEET 10	PORT 67	PORT 67	PORT 67	PORT 67
SHEET 10	PORT 68	PORT 68	PORT 68	PORT 68
SHEET 10	PORT 69	PORT 69	PORT 69	PORT 69
SHEET 10	PORT 70	PORT 70	PORT 70	PORT 70
SHEET 10	PORT 71	PORT 71	PORT 71	PORT 71
SHEET 10	PORT 72	PORT 72	PORT 72	PORT 72
SHEET 10	PORT 73	PORT 73	PORT 73	PORT 73
SHEET 10	PORT 74	PORT 74	PORT 74	PORT 74
SHEET 10	PORT 75	PORT 75	PORT 75	PORT 75
SHEET 10	PORT 76	PORT 76	PORT 76	PORT 76
SHEET 10	PORT 77	PORT 77	PORT 77	PORT 77
SHEET 10	PORT 78	PORT 78	PORT 78	PORT 78
SHEET 10	PORT 79	PORT 79	PORT 79	PORT 79
SHEET 10	PORT 80	PORT 80	PORT 80	PORT 80
SHEET 10	PORT 81	PORT 81	PORT 81	PORT 81
SHEET 10	PORT 82	PORT 82	PORT 82	PORT 82
SHEET 10	PORT 83	PORT 83	PORT 83	PORT 83
SHEET 10	PORT 84	PORT 84	PORT 84	PORT 84
SHEET 10	PORT 85	PORT 85	PORT 85	PORT 85
SHEET 10	PORT 86	PORT 86	PORT 86	PORT 86
SHEET 10	PORT 87	PORT 87	PORT 87	PORT 87
SHEET 10	PORT 88	PORT 88	PORT 88	PORT 88
SHEET 10	PORT 89	PORT 89	PORT 89	PORT 89
SHEET 10	PORT 90	PORT 90	PORT 90	PORT 90
SHEET 10	PORT 91	PORT 91	PORT 91	PORT 91
SHEET 10	PORT 92	PORT 92	PORT 92	PORT 92
SHEET 10	PORT 93	PORT 93	PORT 93	PORT 93
SHEET 10	PORT 94	PORT 94	PORT 94	PORT 94
SHEET 10	PORT 95	PORT 95	PORT 95	PORT 95
SHEET 10	PORT 96	PORT 96	PORT 96	PORT 96
SHEET 10	PORT 97	PORT 97	PORT 97	PORT 97
SHEET 10	PORT 98	PORT 98	PORT 98	PORT 98
SHEET 10	PORT 99	PORT 99	PORT 99	PORT 99
SHEET 10	PORT 100	PORT 100	PORT 100	PORT 100



ACTION: DESIGNED FROM AUTOSHEET  
 NO CHANGE TO THIS SHEET  
 DRAWN BY: SMI (SMAWAB)  
 CHECKED BY: EMS  
 DATE: 19990521  
 NUMBER: V/A 98275-5098  
 SHEET: 12 OF 12  
**POWER SUPPLY ECB 62**