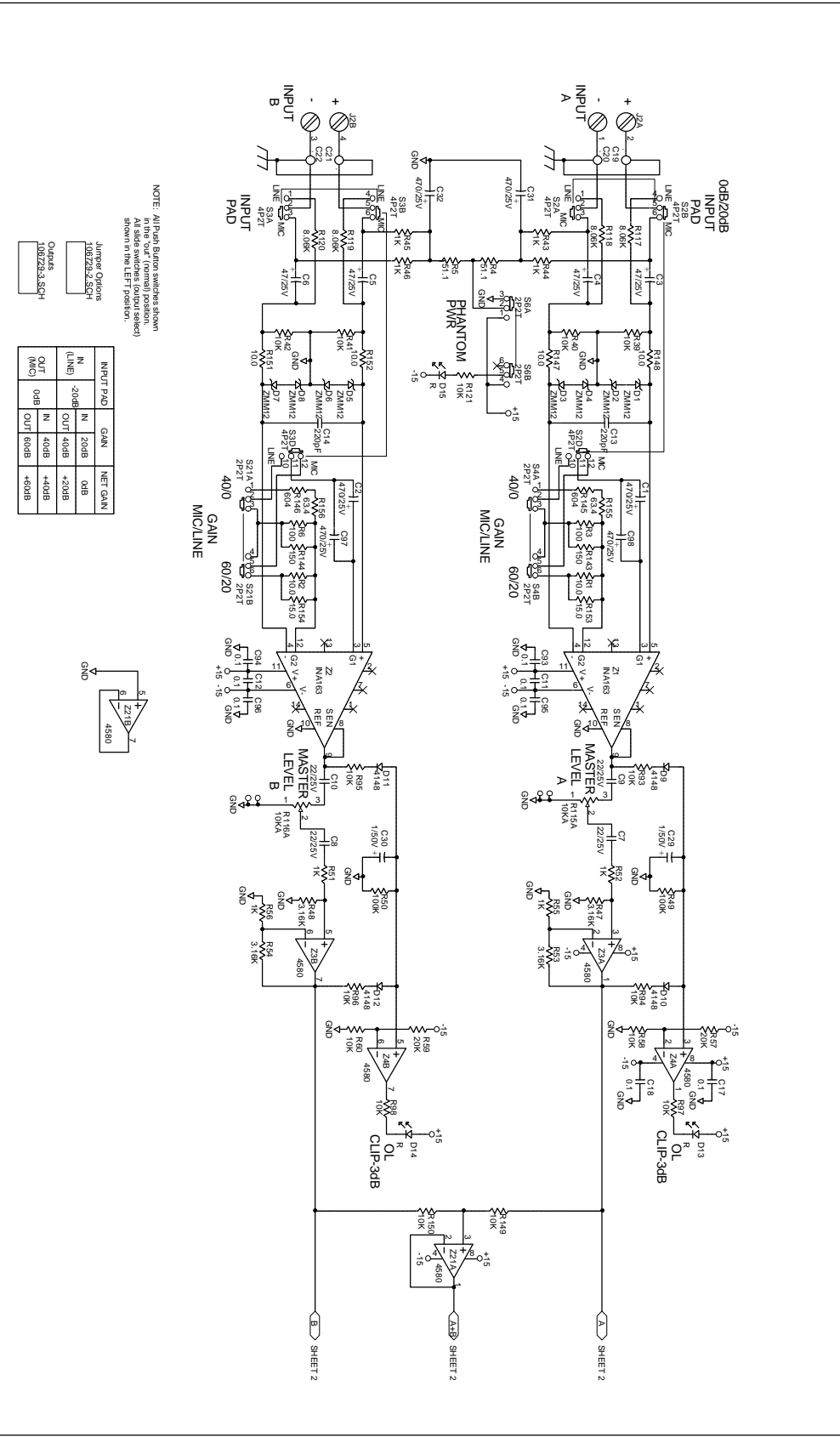


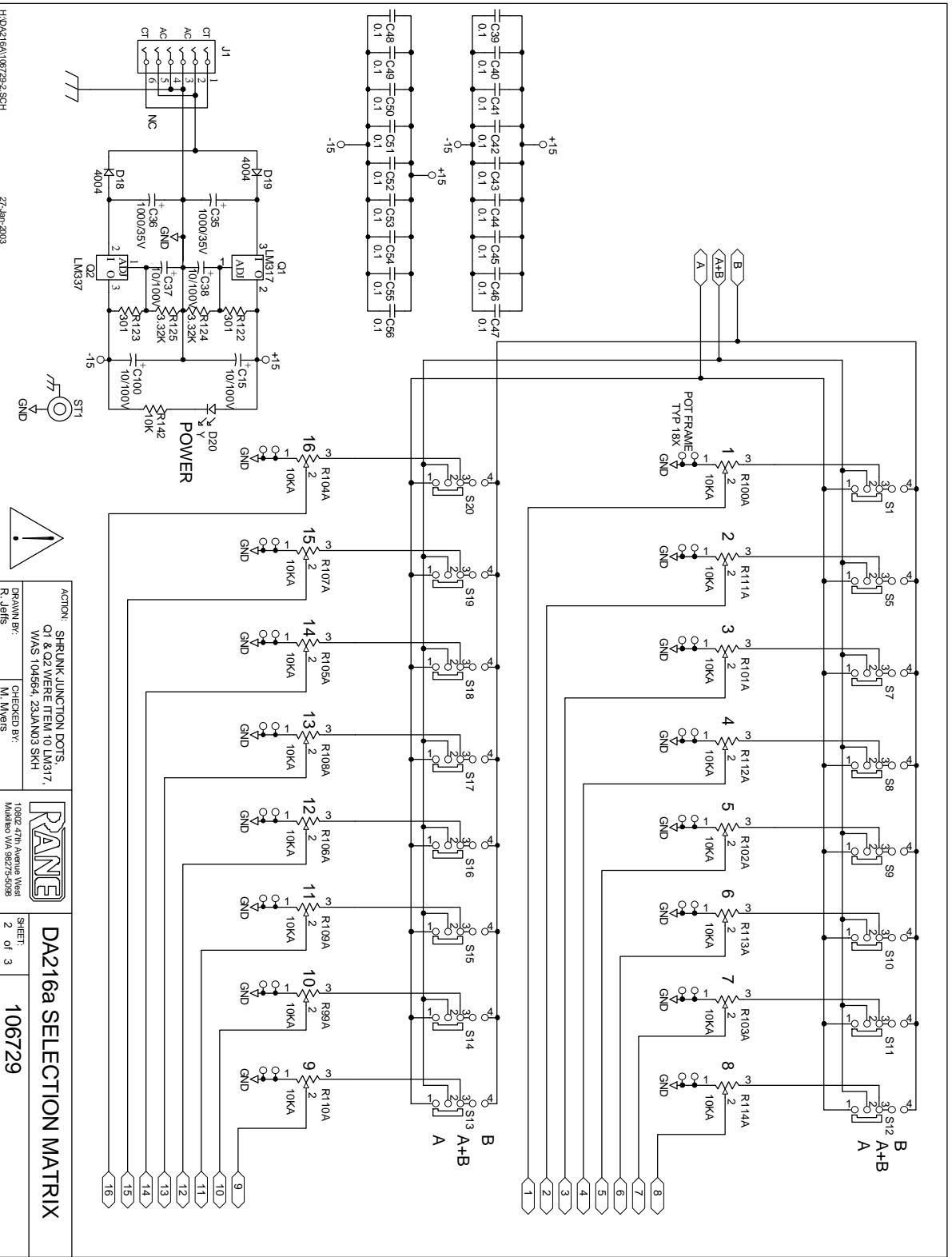
Rane Corp. (425) 355-6000
 106725 DES DA216a
 ACTION: Q1 & Q2 WERE REG ASSY, 27JAN03 SKH

SHRINK JUNCTION DOTS.
WAS 104564 SH-23JAN03

DA216a DISTRIBUTION AMP
SHEET 1 OF 3

106729





ACTION: SHRINK JUNCTION DOTS,
 Q1 & Q2 WERE ITEM 10 LM317,
 WAS 10454, Z3JAN03 SKH

DRAWN BY: R. JEFFS
 CHECKED BY: M. MYERS



DA216a SELECTION MATRIX

SHEET: 2 of 3

106729



ACTION: SHRLINK JUNCTION DOTS.
 WAS 104564, 23JAN03 SKH
 DRAWN BY: R. JELTS
 CHECKED BY: M. MEYERS

10802 47th Avenue West
 Mukilteo WA 98275-5098

SHEET: 3 of 3

DA216a OUTPUT DRIVERS

106729

