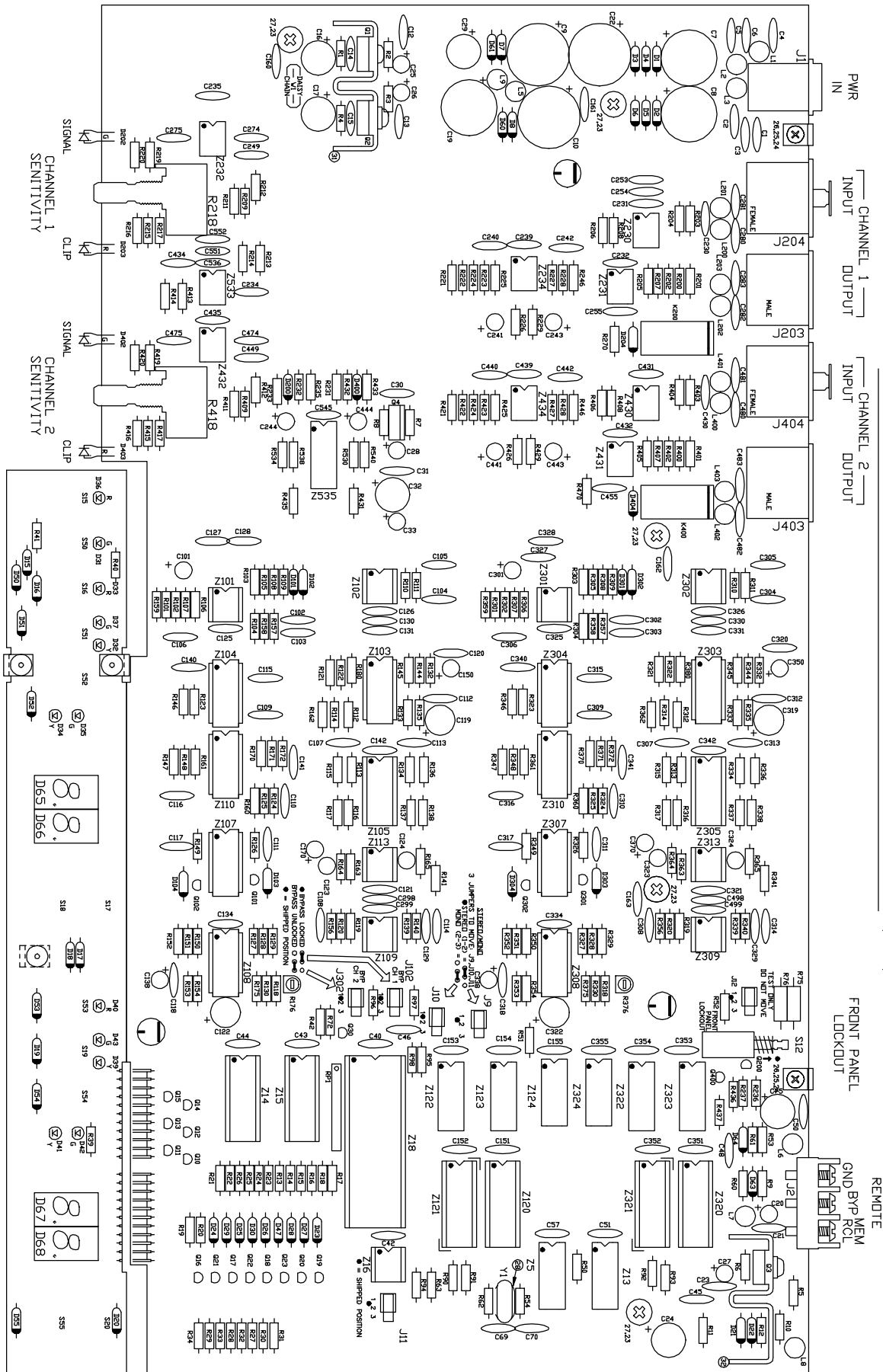
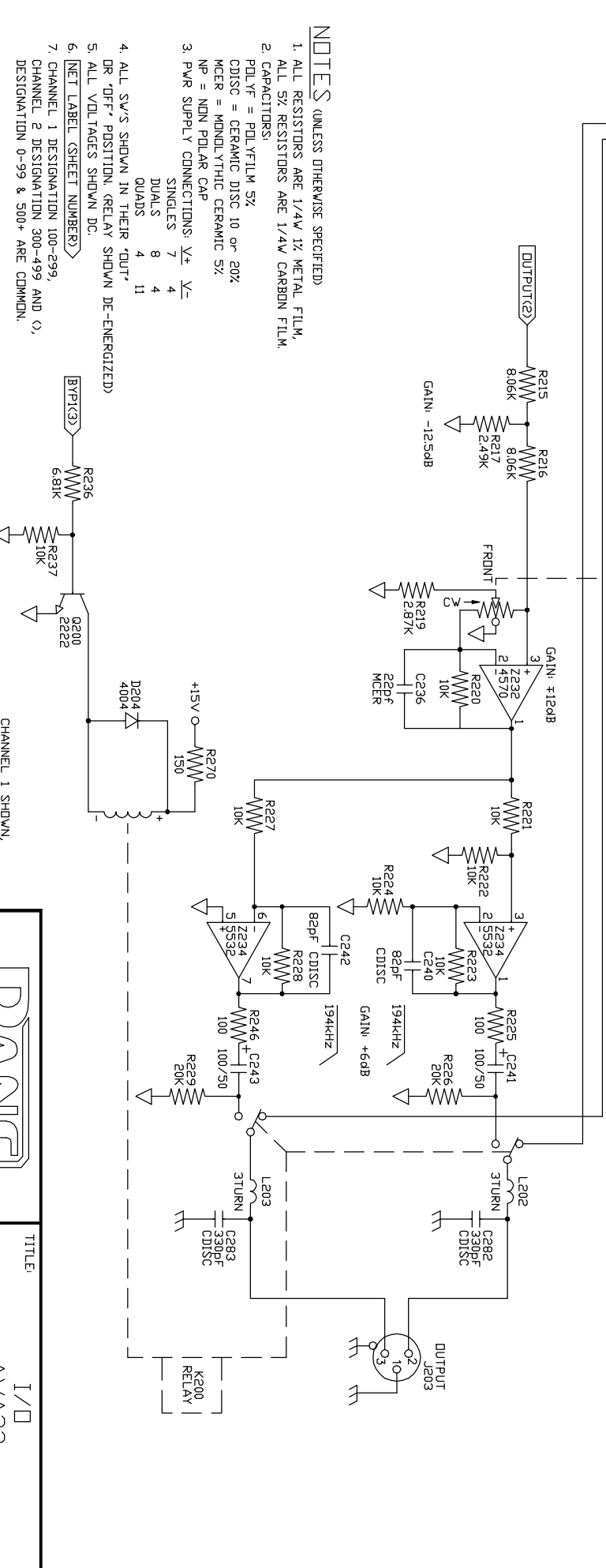
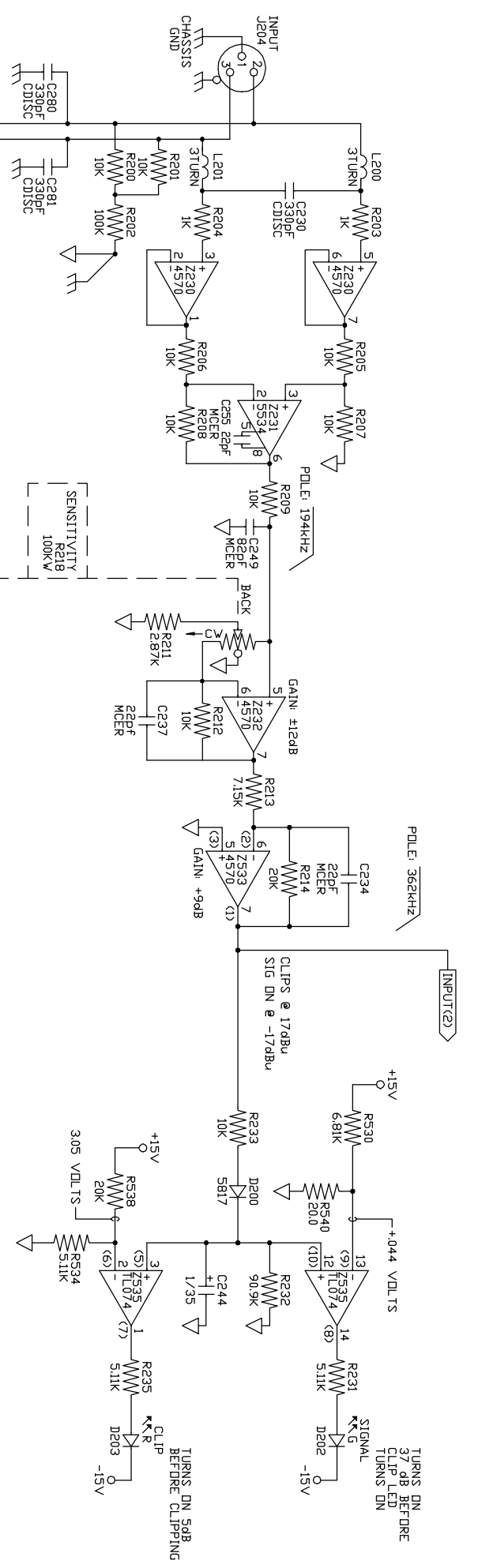


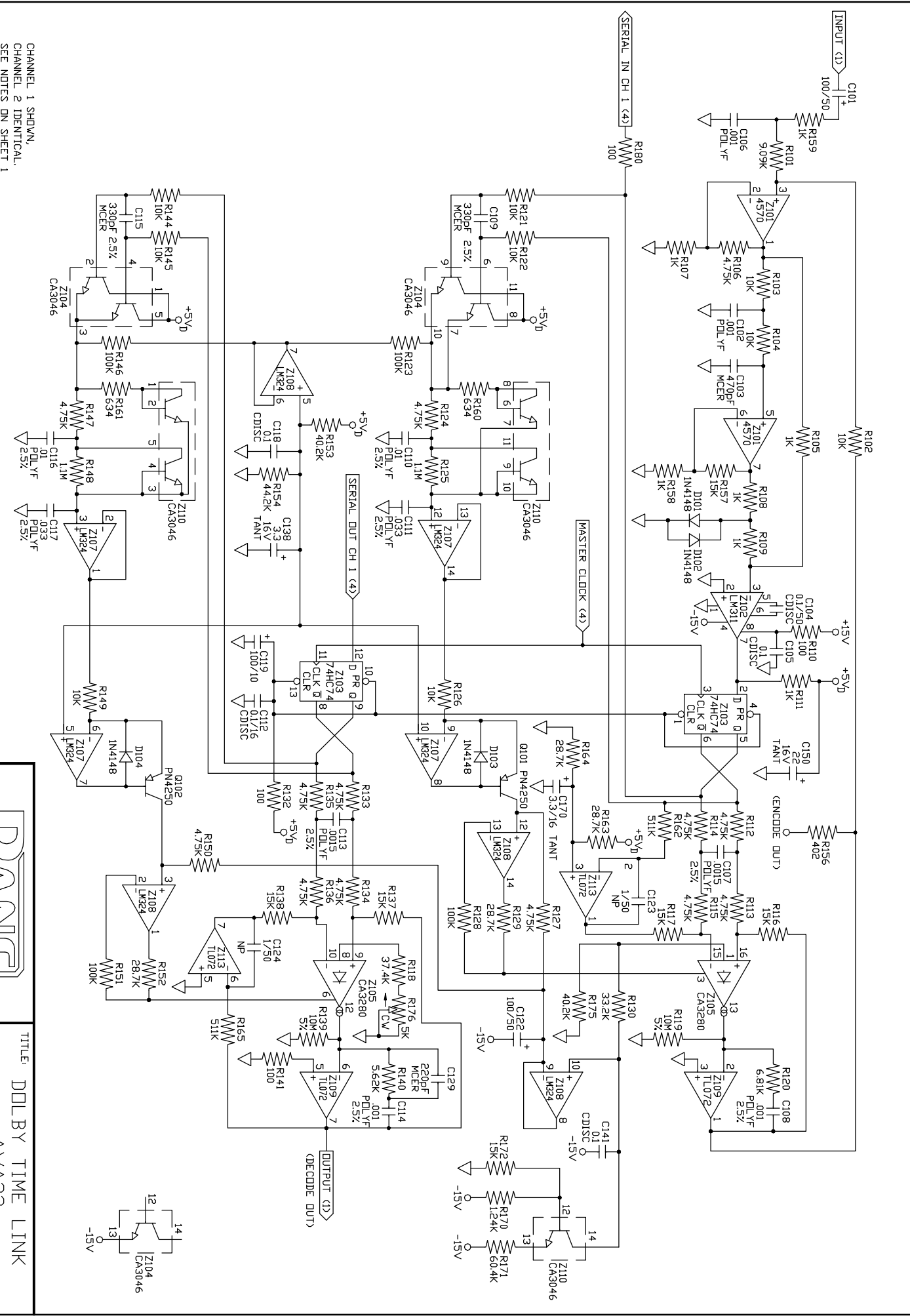
*** STATIC SENSITIVE BOARD ***
 *** YOU MUST BE GROUNDED! ***





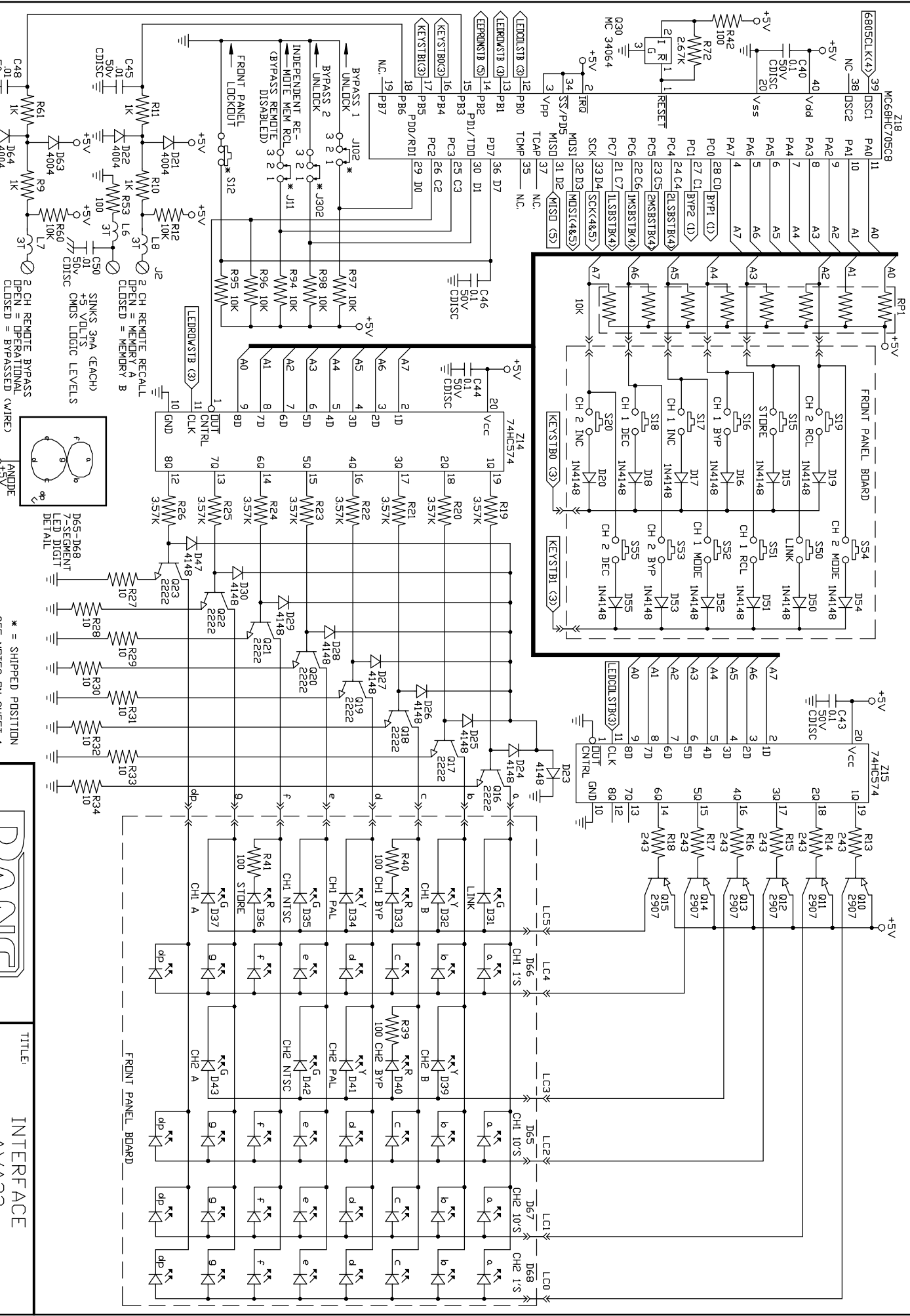
NOTES (UNLESS OTHERWISE SPECIFIED)

1. ALL RESISTORS ARE 1/4W 1% METAL FILM, ALL 5% RESISTORS ARE 1/4W CARBON FILM.
2. CAPACITORS: POLYF = POLYETHYLENE FOLYMER; CDISC = CERAMIC DISC 10 OR 20%; MCER = MONOLITHIC CERAMIC 5%; NP = NON POLAR CAP
3. PWR SUPPLY CONNECTIONS: ∇ = SINGLES, ∇ = DUALS, ∇ = QUADS
4. ALL SW'S SHOWN IN THEIR 'DUT' OR 'OFF' POSITION. (RELAY SHOWN DE-ENERGIZED)
5. ALL VOLTAGES SHOWN DC.
6. NET LABEL (SHEET NUMBER)
7. CHANNEL 1 DESIGNATION 100-299, CHANNEL 2 DESIGNATION 300-499 AND DESIGNATION 0-99 & 500+ ARE COMMON.



CHANNEL 1 SHOWN,
CHANNEL 2 IDENTICAL,
SEE NOTES ON SHEET 1





ACTION: NND CHANGE TO SCHEMATIC, NEW DDC#
 DRAWN: SKH DATE: 16APR92 CHECKED: SRM DATE: 05MAY92 SHEET: 3 OF 5 REVISED: SKH APPROVED: RWJ DATE: 1JUNV97
 DO NOT SCALE DRAWING
 TITLE: INTERFACE AVA22
 DDC. NO: 100442
 Corp. 10802 47th Avenue West, Mukilteo WA 98275-5098 (425) 355-6000

* = SHIPPED POSITION
 SEE NOTES ON SHEET 1
 J11 ALLOWS REMOTES TO BECOME CH1 MEM RCL & CH2 MEM RCL RESPECTIVELY



2 CH REMOTE BYPASS OPEN = OPERATIONAL (WIRED)
 CLOSED = MEMORY B
 2 CH REMOTE RECALL OPEN = MEMORY A
 CLOSED = MEMORY B

SINKS: 3mA (EACH)
 5V VDD/DRIVE
 50V CHMS LOGIC LEVELS
 CDISC

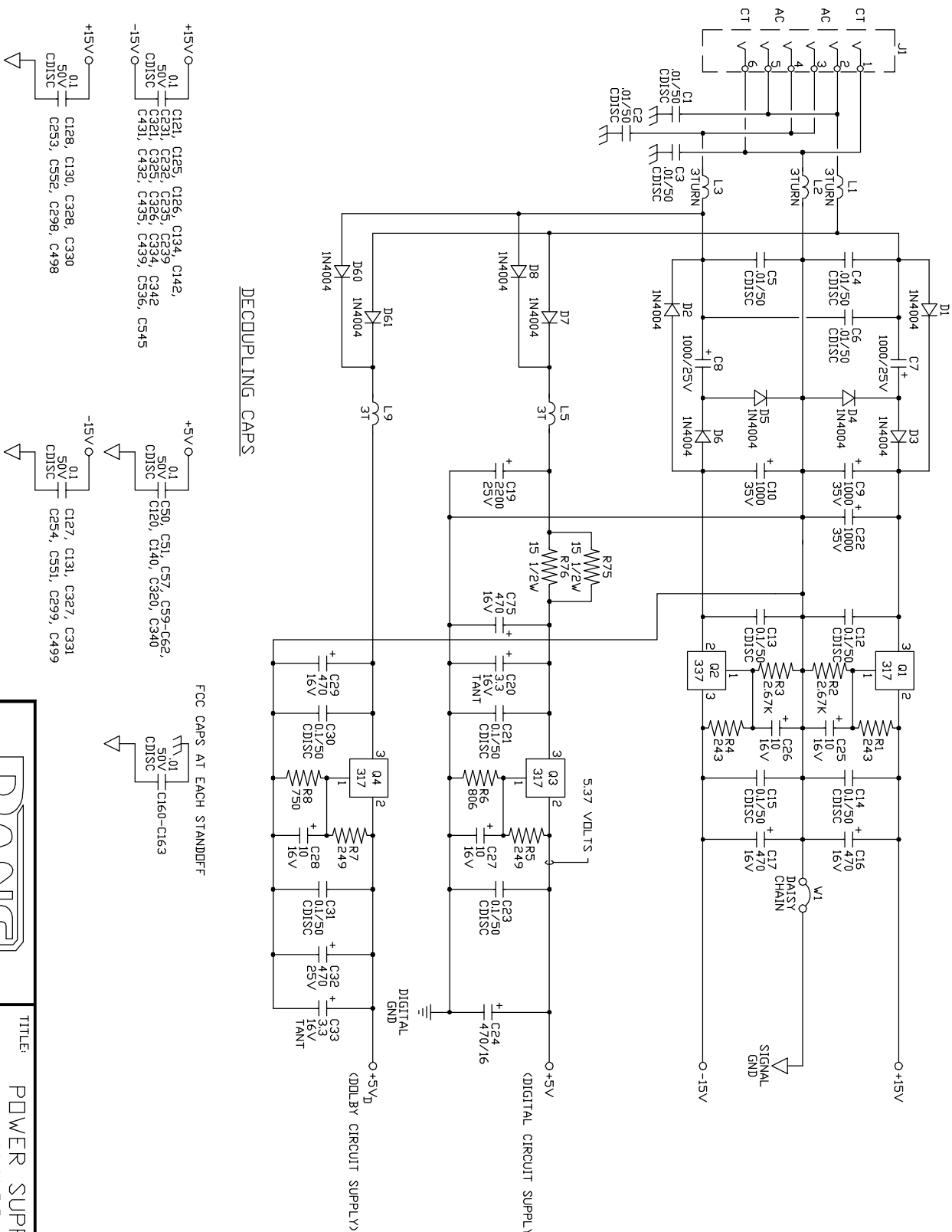
2 CH REMOTE BYPASS OPEN = OPERATIONAL (WIRED)
 CLOSED = MEMORY B

2 CH REMOTE RECALL OPEN = MEMORY A
 CLOSED = MEMORY B

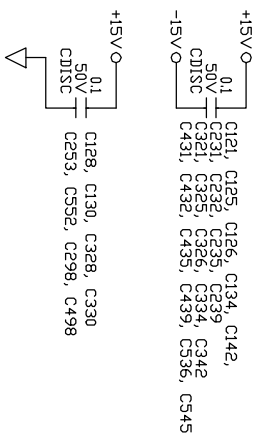
2 CH REMOTE BYPASS OPEN = OPERATIONAL (WIRED)
 CLOSED = MEMORY B

J11 ALLOWS REMOTES TO BECOME CH1 MEM RCL & CH2 MEM RCL RESPECTIVELY

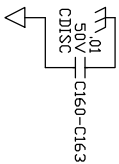
POWER SUPPLY



DECOUPLING CAPS



FCC CAPS AT EACH STANDOFF



SEE NOTES ON SHEET 1

ACTION: ADDED (4) DECOUPLING CAPS (C298, C299, C498, C499), NEW DDC#
 DRAWN: SRM DATE: 10FEB92 CHECKED: SKH DATE: 10FEB92 SHEET: 5 OF 5

REVISED: SKH APPROVED: RWJ DATE: 11NDV97
 DDO NOT SCALE DRAWING

Corp. 10802 47th Avenue West, Mukilteo
 WA 98275-5098 (425) 355-6000

TITLE: POWER SUPPLY
 AWA22
 DDC. NO. 100442