

RANE

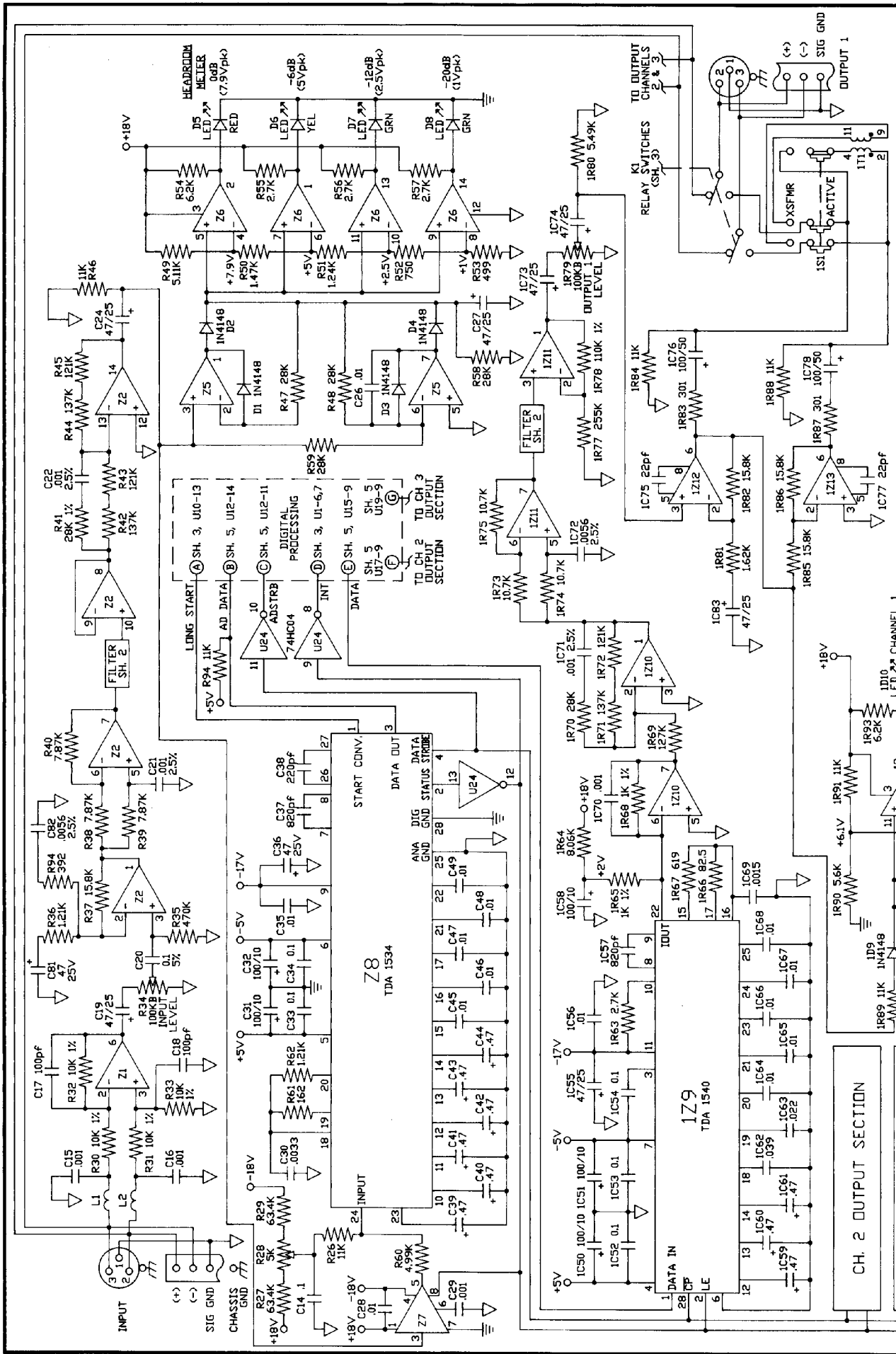
CORP. 6510 216th S.W. MOUNTLAKE TERRACE,
WA 98043 (206) 774-7309

TITLE AD 13
ASSY

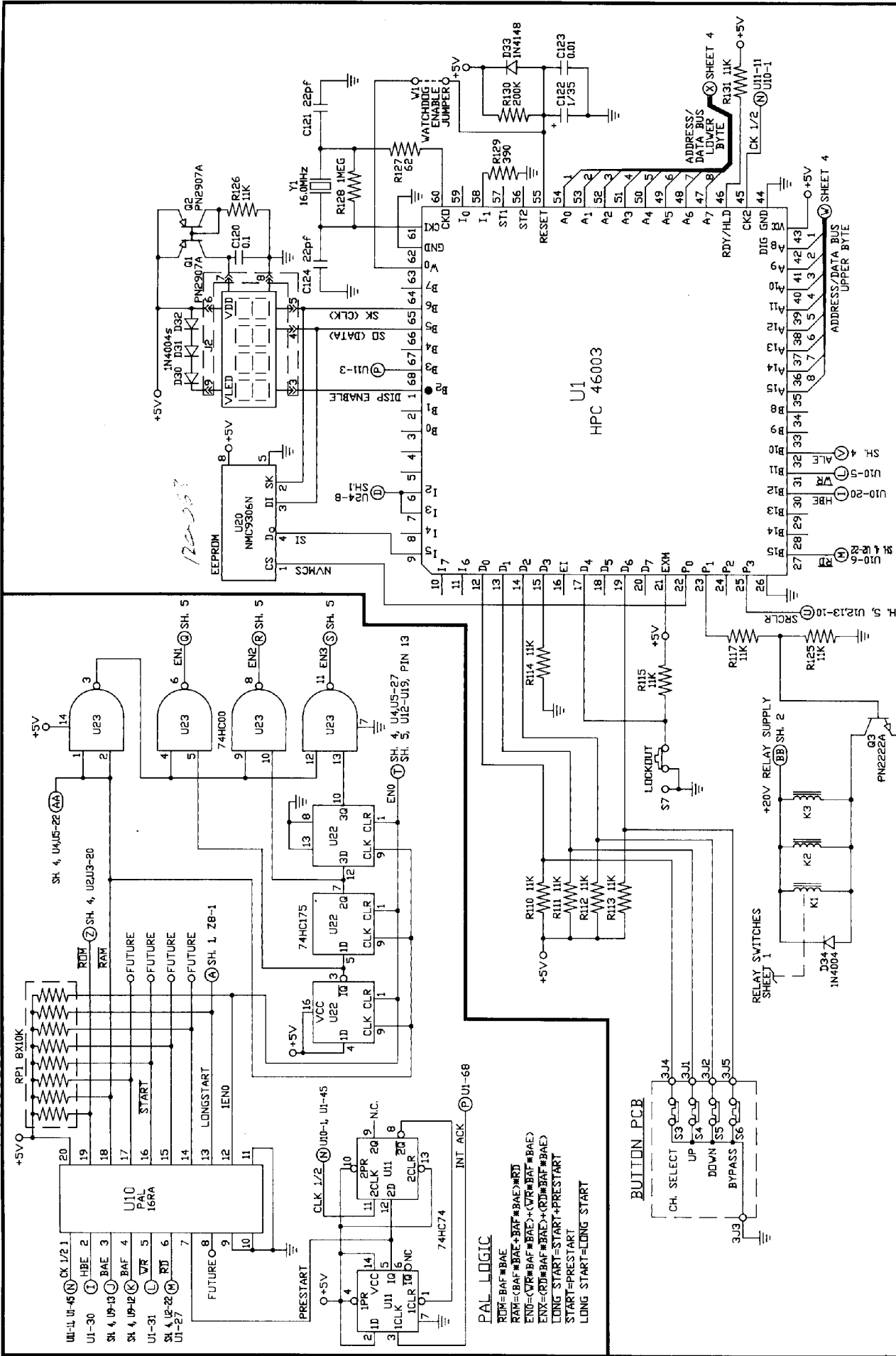
REV. B

DRW. NO. 522-029

REVISIONS	REV. B	ACTION	DELETED C 25
DRAWN	S. TURNIDGE	DATE	6APR87
CHECKED	A. CLAXTON	DATE	24AUG87
SHEET	1	OF	1
APPROVED	AVC	DATE	28SEP87
DO NOT SCALE DRAWING			



		CORP. 6510 216th S.V. MOUNTLAKE TERRACE VA 98043 (206) 774-7309	
		TITLE AD 13 SCHEMATIC	
REV. A	DATE 9FEB87	CHECKED A. CLAXTON	DATE 05OCT87
DRAWN S. TURNUIDGE	DATE 9FEB87	SHEET 1 OF 5	DO NOT SCALE DRAWING
REV. A	ACTION	APPROVED	
DRV. NO. 521-027		REV. A	



RANCO

CORP. 6510 216th S.W. MOUNTLAKE TERRACE,
WA 98043 (206) 774-7309

DRAW. NO. 521-029

REV. A

TITLE AD 13 SCHEMATIC

DO NOT SCALE DRAWING

DATE 28SEP87 APPROVED

SHEET 3 OF 5

CHECKED A. CLAXTON DATE 12MAR87

DRAWN S. TURNIDGE DATE 18FEB87

REV. A ACTION

PAL LOGIC

ROM = BAF * BAE

RAM = BAF * BAE * BAF * BAE * BAE * BAE

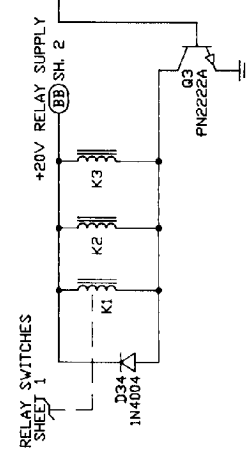
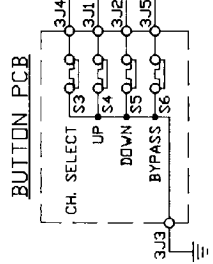
EN0 = C7E * BAF * BAE * +V * BAF * BAE

ENX = C7E * BAF * BAE * +V * BAF * BAE

LONG START = START + PRESTART

START = PRESTART

LONG START = LONG START



DRAW. NO. 521-029

REV. A

TITLE AD 13 SCHEMATIC

