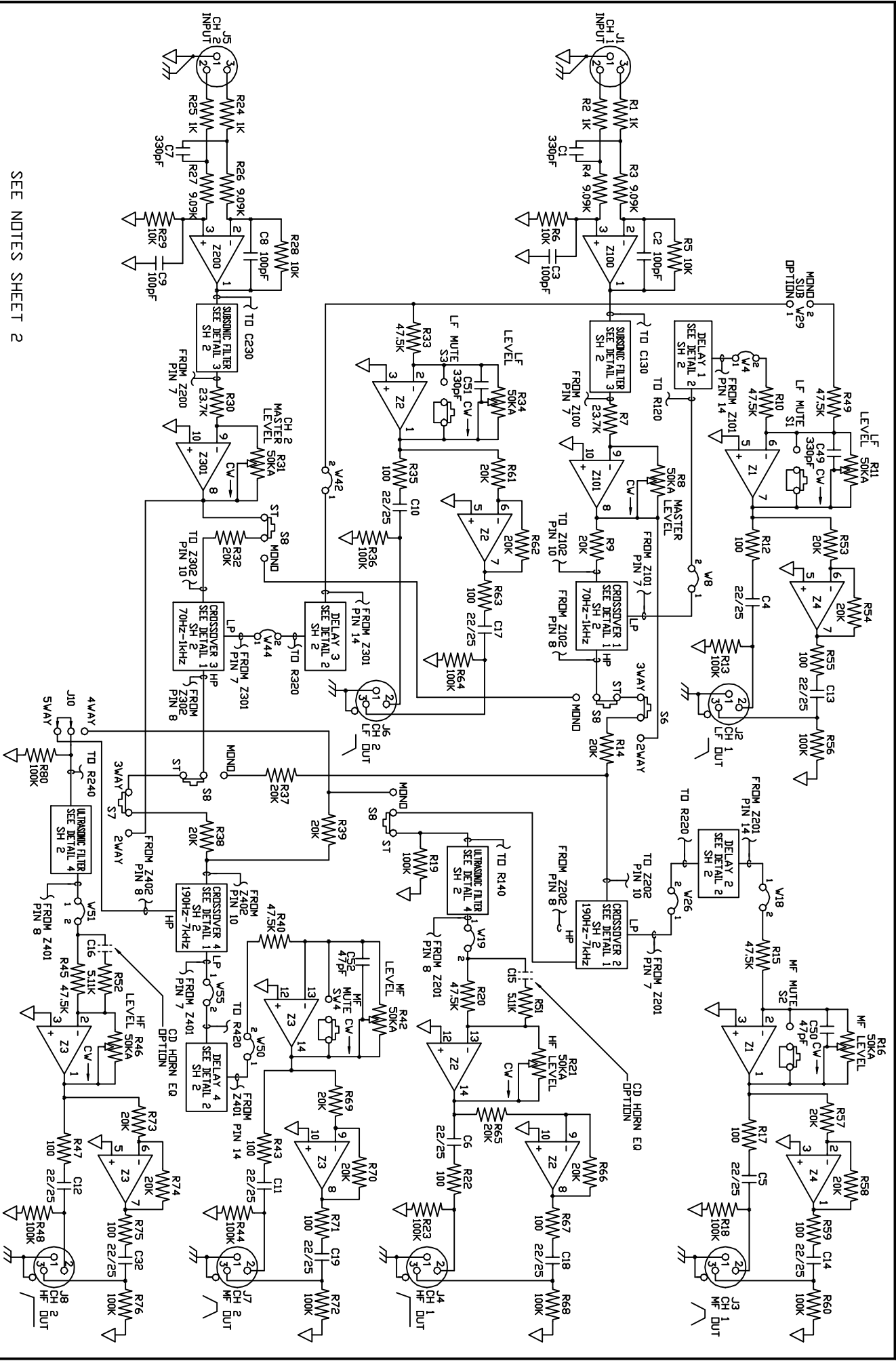


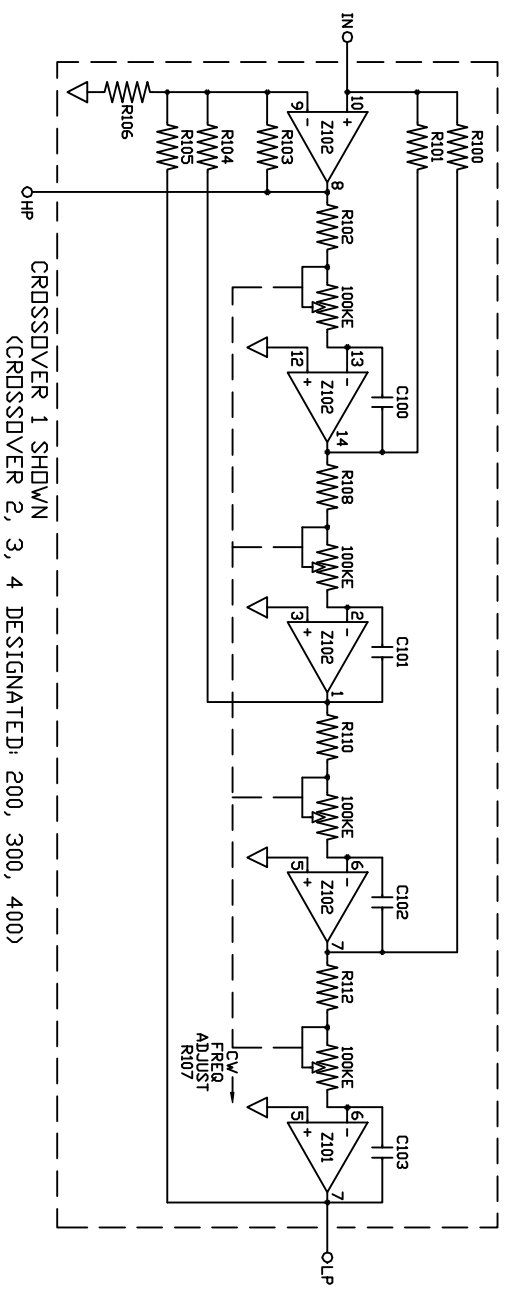
4-WAY, 5-WAY JUMPER AS SHIPPED.
 TO OPERATE IN 4-WAY MONO MODE,
 MOVE JUMPER TO PINS 1 AND 2.



SEE NOTES SHEET 2

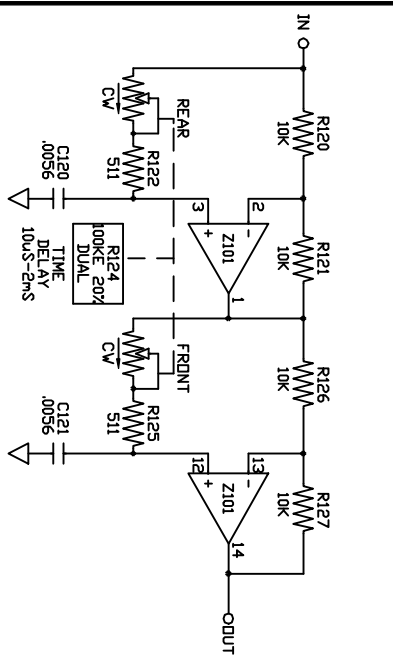
ACTION: MD CHANGED TO PART, VAS 102150		REVISED: F J		DATE: 03MAY99	
DRAWN: SKH		CHECKED: SPT		DATE: 10APR92	
DATE: 4APR92		SHEET: 1 OF 2		DD NOT SCALE DRAWING	
CORP. 10802 47th Avenue West, Mukilteo WA 98275-5098 (425) 355-6000		TITLE: SCHEM AC23B		DOC. NO. 102653	

DETAIL 1: TYPICAL LINKWITZ-RILEY CROSSOVER CIRCUIT



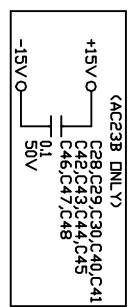
CROSSOVER 1 SHOWN
(CROSSOVER 2, 3, 4 DESIGNATED: 200, 300, 400)

DETAIL 2: TYPICAL DELAY

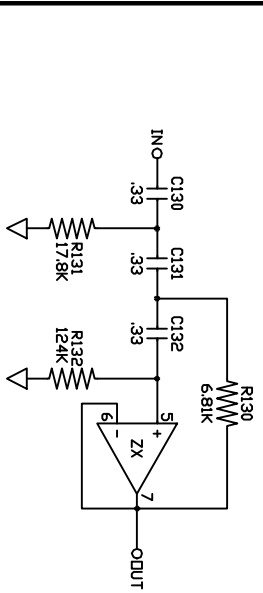


DELAY 1 SHOWN
(DELAY 2, 3, 4 DESIGNATED: 220, 320, 420)

DECOUPLING CAPS



DETAIL 3: TYPICAL SUBSONIC FILTER



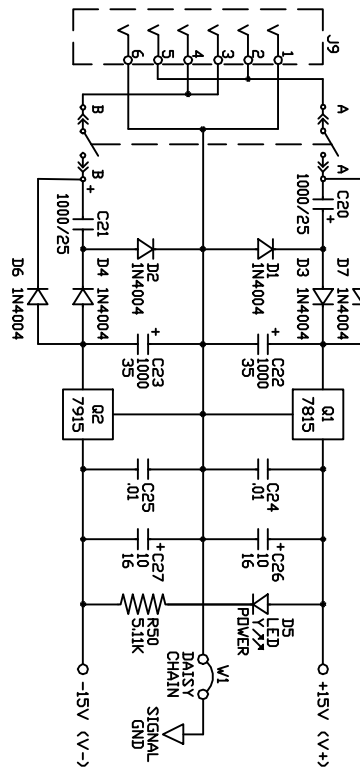
CHANNEL 1 SHOWN
(CH 2 DESIGNATED: 230)

ZX
CH1 Z100
CH2 Z200

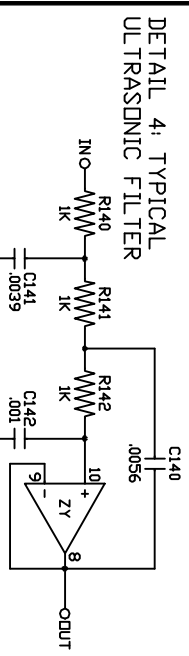
NOTES (UNLESS OTHERWISE NOTED)

1. ALL RES 1/4W, 1% METAL FILM.
2. POWER SUPPLY CONNECTIONS:
SING POS SUP 7 4
DUAL 8 4
QUAD 4 11
3. ALL SVS SHOWN IN THEIR 'OUT' OR 'OFF' POSITION
4. IC TYPES: Z1 & Z4 = 4580
Z100 & Z200 = TL072
Z2, Z3, Z101, Z102, Z201, Z301, Z302, Z401, Z402 = 2059

POWER SUPPLY



DETAIL 4: TYPICAL ULTRASONIC FILTER



CHANNEL 1 SHOWN
(CH 2 DESIGNATED: 240)

ZY
CH1 Z201
CH2 Z401

