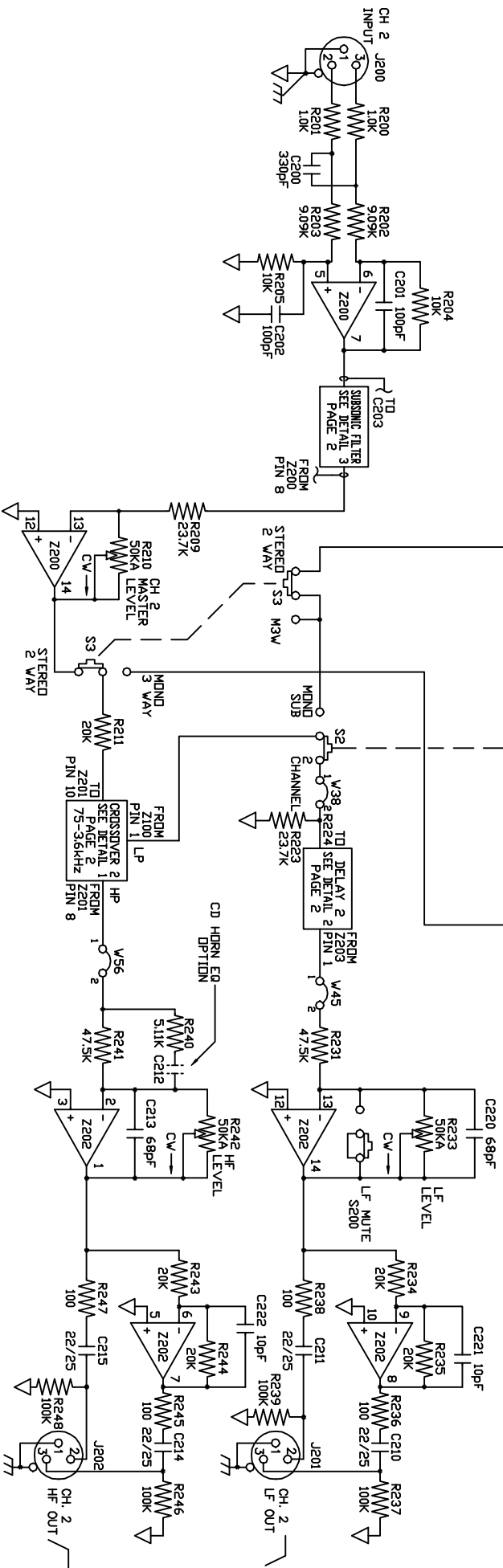
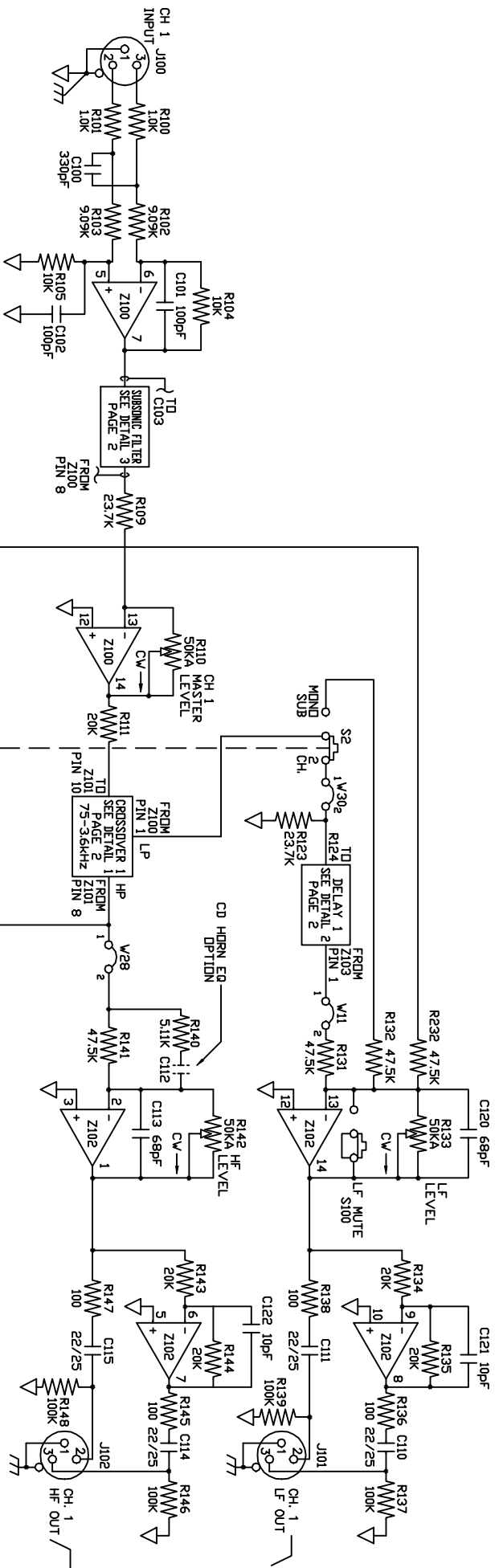
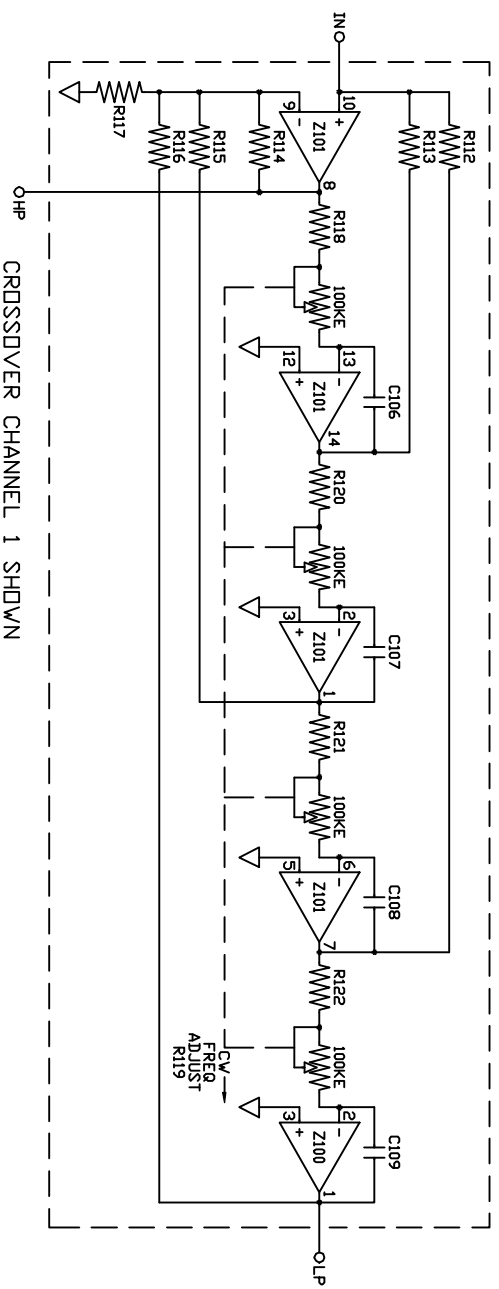


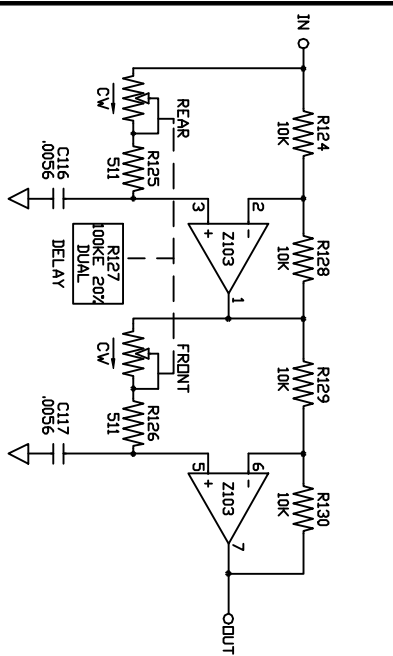
Rane Corp. (425)355-6000
 102013 DES AC22B
 ACTION: ADDED 1 & 2 TO W38, DELETED 1 & 2 FROM W43 FJ 20MAY98



DETAIL 1: TYPICAL LINKWITZ-RILEY CROSSOVER CIRCUIT

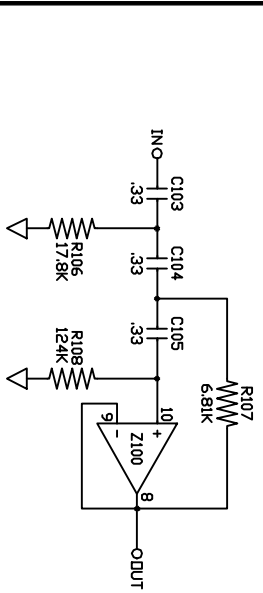


DETAIL 2: TYPICAL DELAY



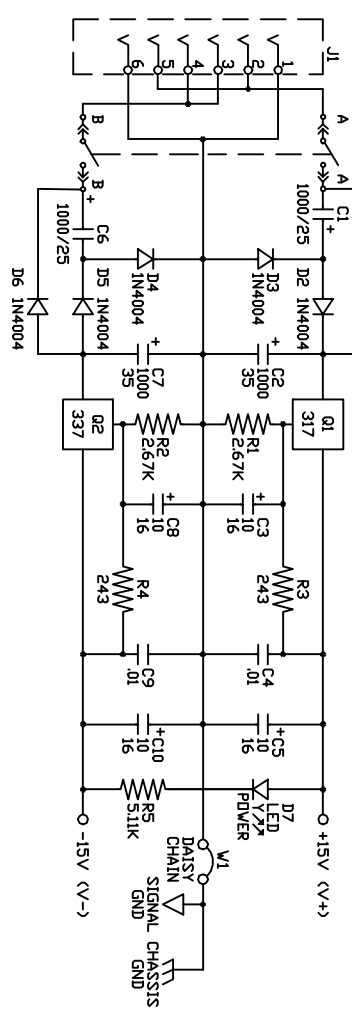
DELAY CHANNEL 1 SHOWN

DETAIL 3: TYPICAL SUBSONIC FILTER



CHANNEL 1 SHOWN

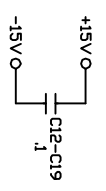
POWER SUPPLY



NOTES (UNLESS OTHERWISE NOTED)

1. ALL RES 1/4W, 1% METAL FILM.
2. POWER SUPPLY CONNECTIONS:
POS SUP POS SUP
NEG SUP NEG SUP
3. ALL SVS SHOWN IN THEIR 'OUT' OR 'OFF' POSITION
4. IC TYPES:
Z100, Z200, Z101, Z201, Z102, Z202 = 2059
Z103, Z203 = TL072
5. DESIGNATORS:
1-99 = COMMON TO BOTH CHANNELS
100-199 = CHANNEL 1
200-299 = CHANNEL 2

DECOUPLING CAPS



ACTION: 2059 VAS DPL, NEW DDC #	CHECKED: DB	DATE: 23 JUL 98	REVISED: FJ	APPROVED:	DATE: 23 JUL 98
DRAWN: AC	DATE: 26 OCT 94	SHEET: 2 OF 2	DD NOT SCALE	DRAWING	

Corp. 10802 47th Avenue West, Mukilteo
VA 98275-5098 (425) 355-6000

TITLE: PWR SUP/DETAILS	DDC. NO.
ACC22B	102146