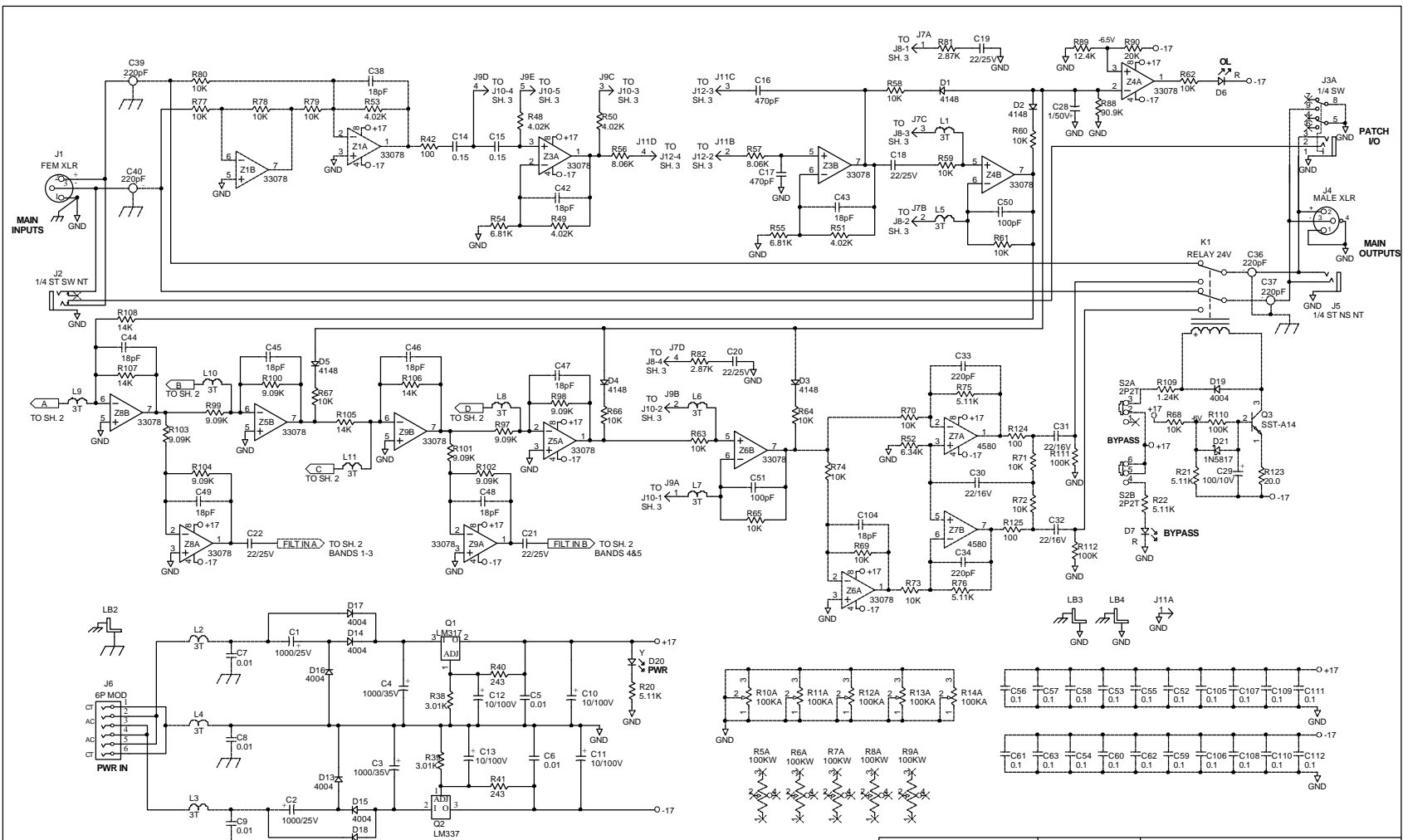


Rane Corp. (425)355-6000
 106698 DES MAIN PE 17
 ACTION: NEW LAYOUT, SKH 18JAN03



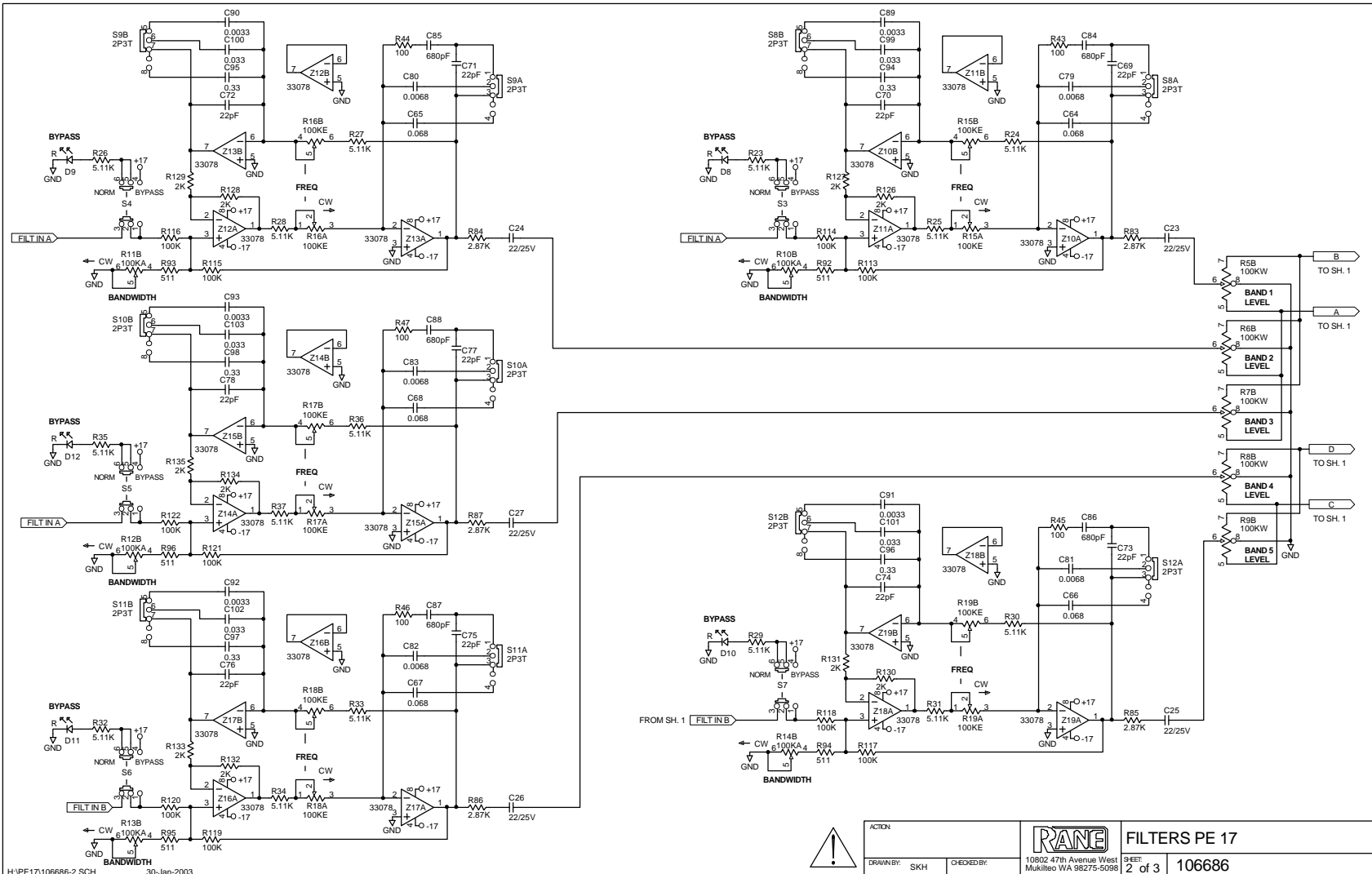


Name
106686-2.SCH

H:\PE17\106686-1.SCH 26-Mar-2003



ACTION			INPUT/OUTPUT PE 17	
DRAWN BY:	SKH		CHECKED BY:	



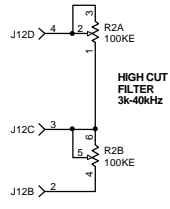
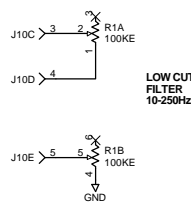
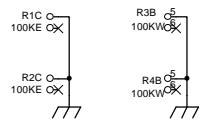
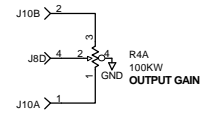
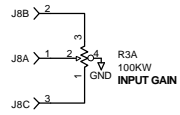
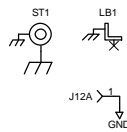
ACTION:
 DRAWN BY: SKH CHECKED BY:



FILTERS PE 17

10802 47th Avenue West
 Mukilteo WA 98275-5098

SHEET:
 2 of 3 106688



ACTION			SLIDER PE 17
DRAWN BY: SKH	CHECKED BY:		