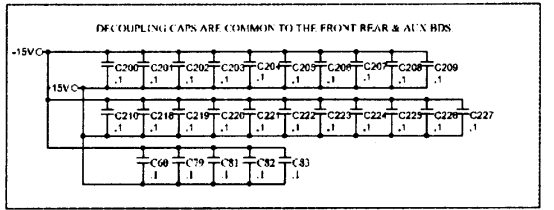
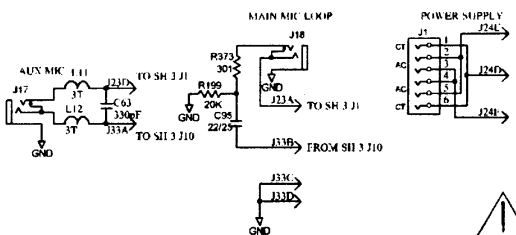
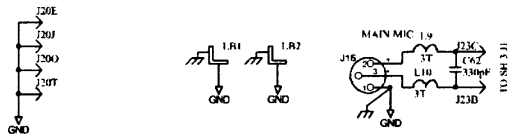
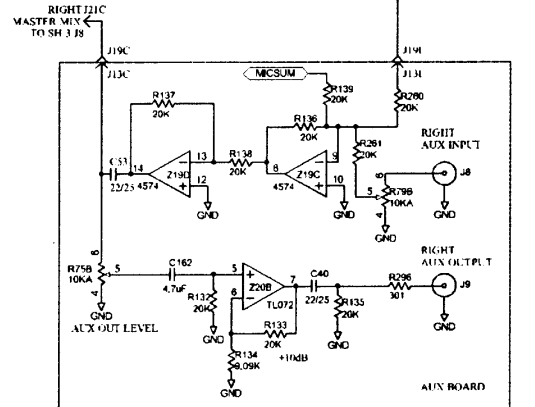
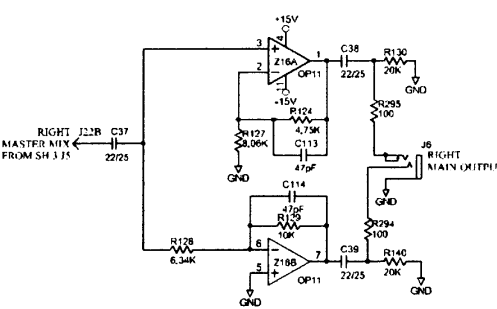
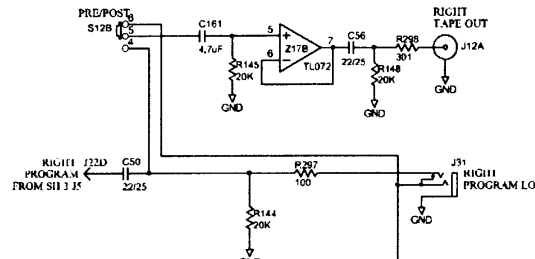
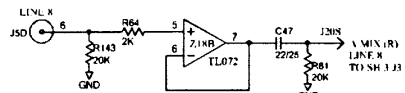
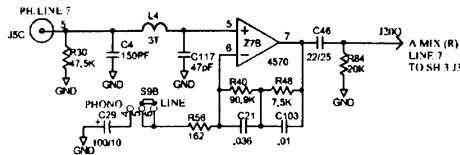
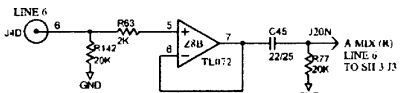
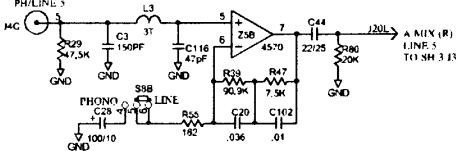
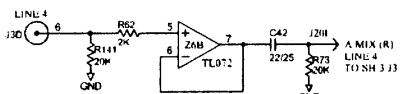
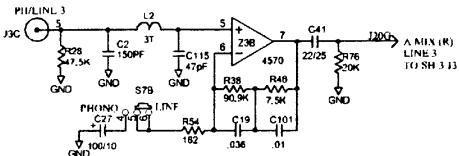
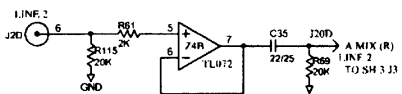
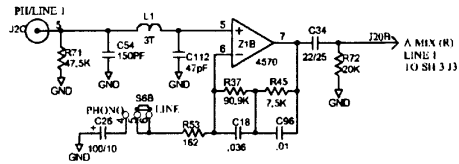


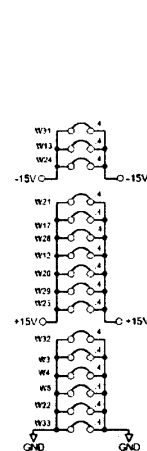
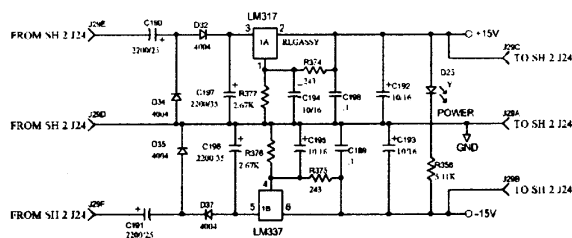
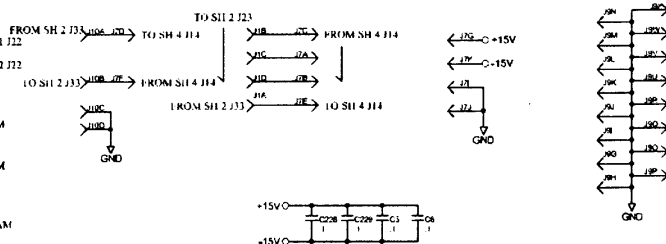
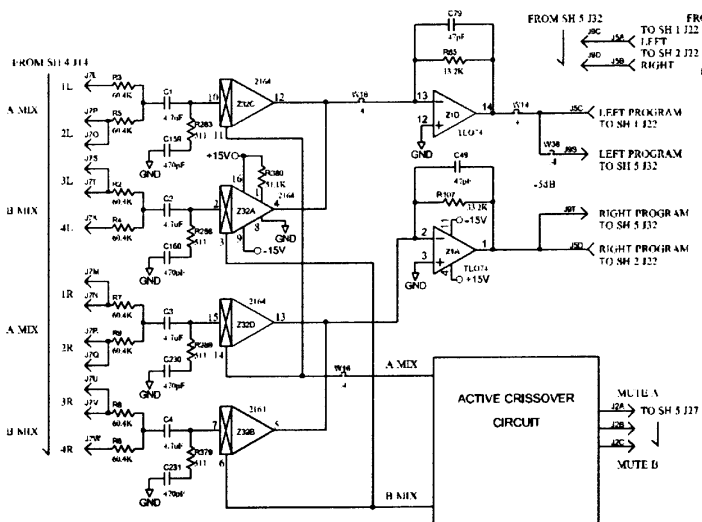
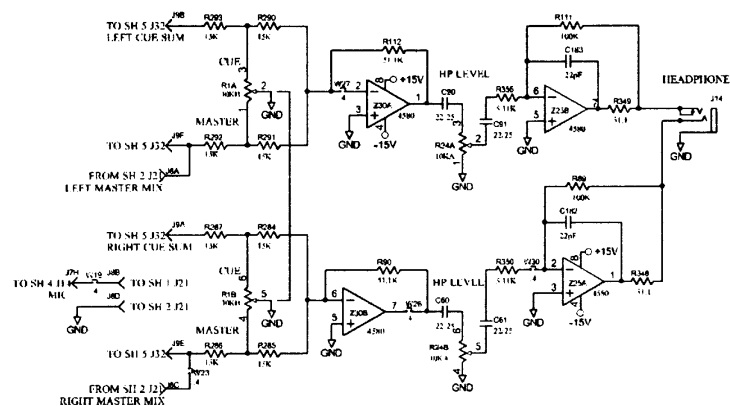
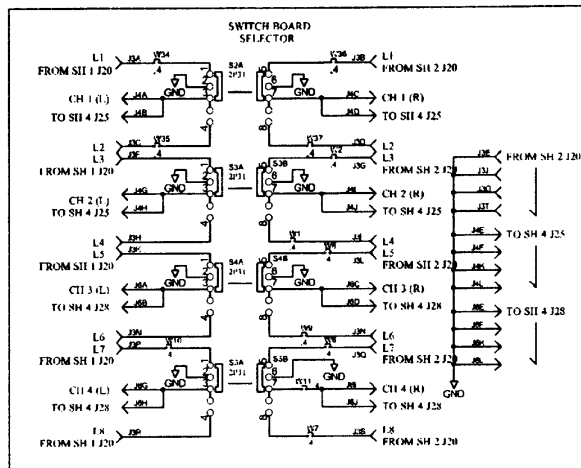
REAR/AUX RT CH 101188-2.SCH HEADPHONE/SWITCH 101188-3.SCH LEVEL/EQ/MC 101188-4.SCH CUER/METER/FADER 101188-5.SCH

HW:MMX101188-1.SCH 19Aug-1998

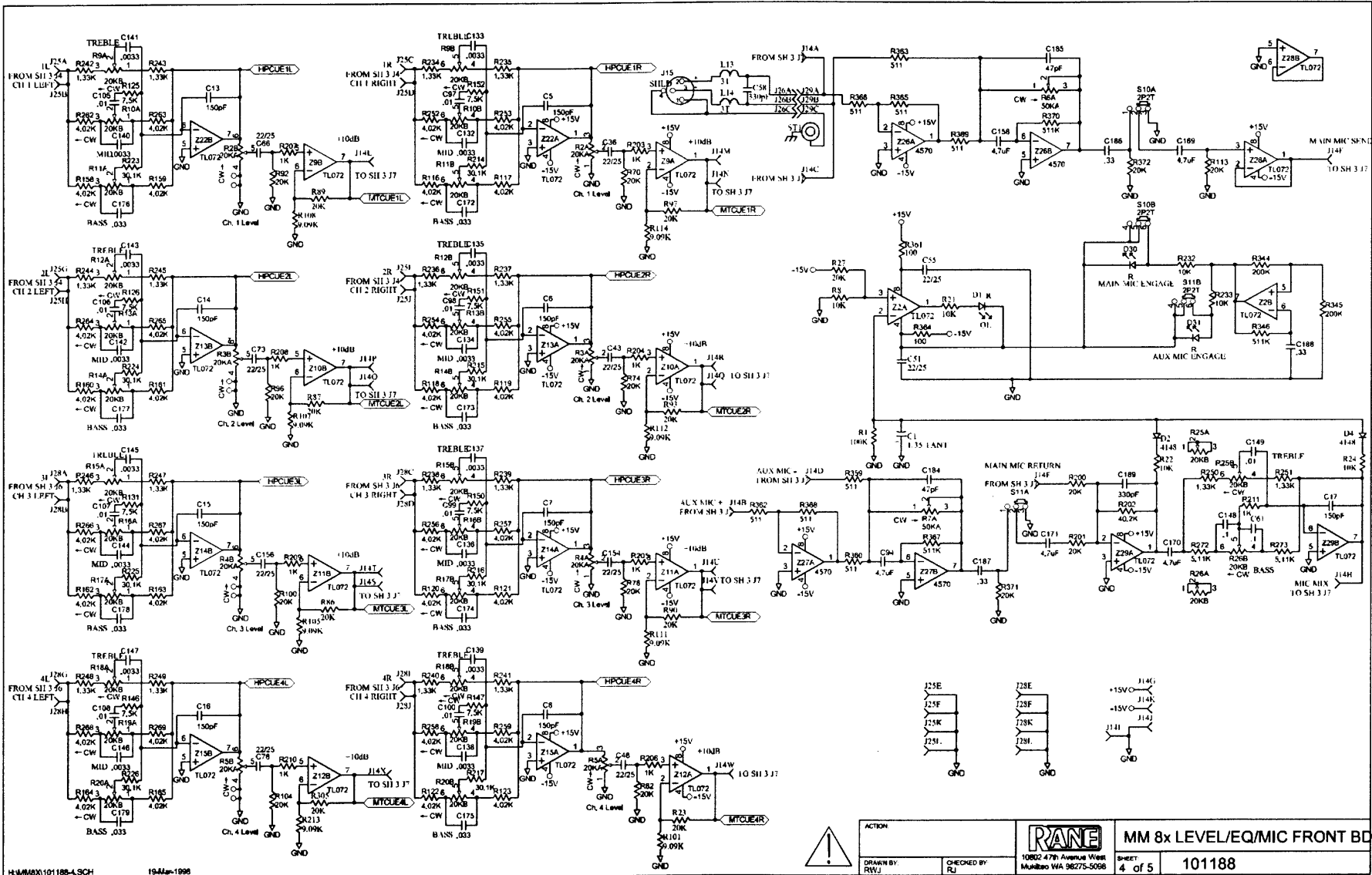


| | | | |
|---------------|----------------|--------------|-----------------------------------|
| ACTION | | | MM 8x REAR/AUX BD. LEFT CH |
| DRAWN BY: RLV | CHECKED BY: RJ | | |
| | | SHEET 1 of 5 | 101188 |

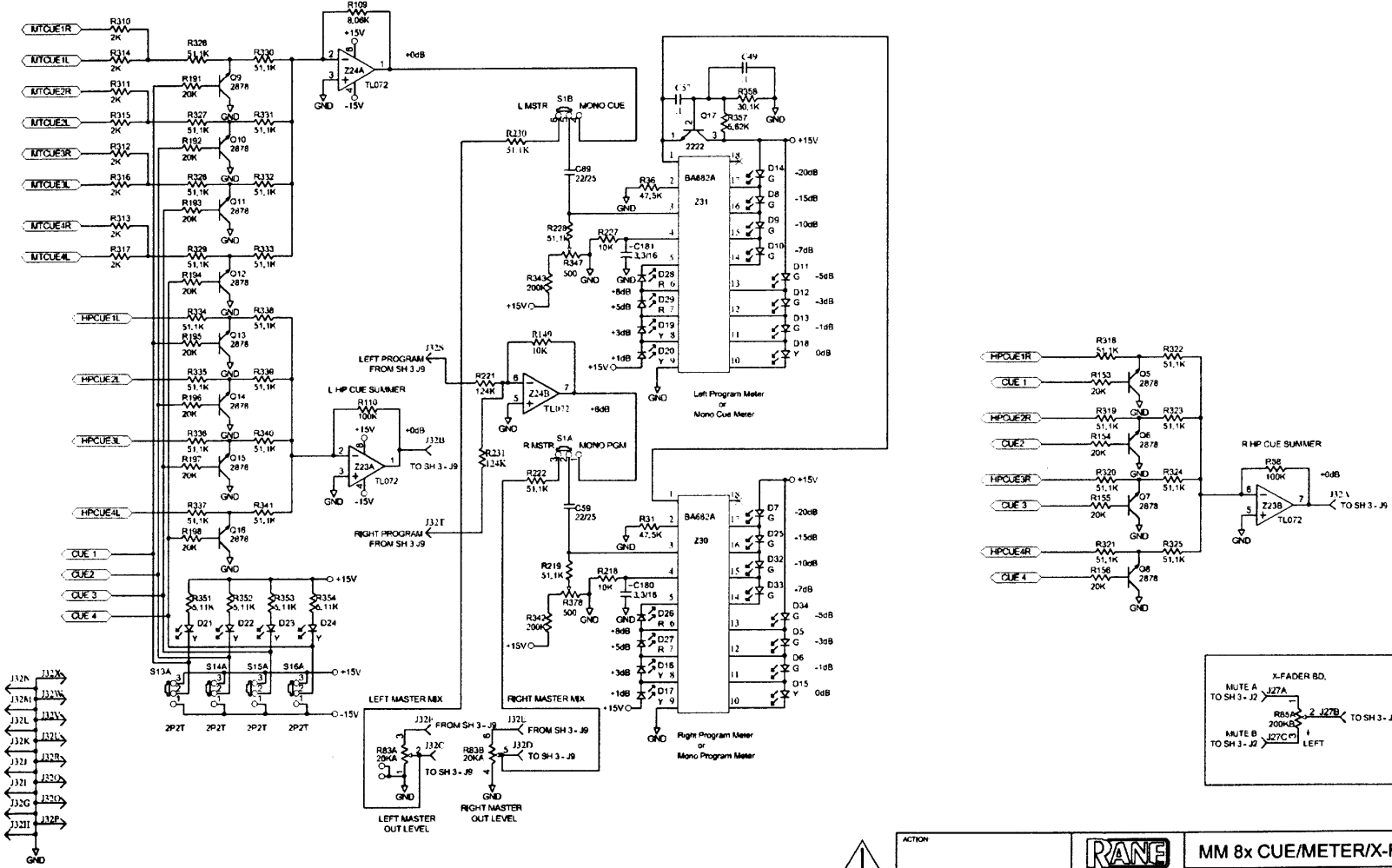




| | | | | | |
|--|------------------|--------------------|--|--|--------------------|
| | ACTION | | | HEADPHONE & SWITCH BDS | |
| | DRAWN BY: RJL | CHECKED BY: RJL | | 10802 47th Avenue West Mulino WA 98275-5098 | B-SHEET: 3 of 5 |



MONO CUE SUMMER



| | | | |
|---------------|----------------|--|-------------------------|
| ACTION | | | MM 8x CUE/METER/X-FADER |
| DRAWN BY: RWJ | CHECKED BY: RJ | | |

