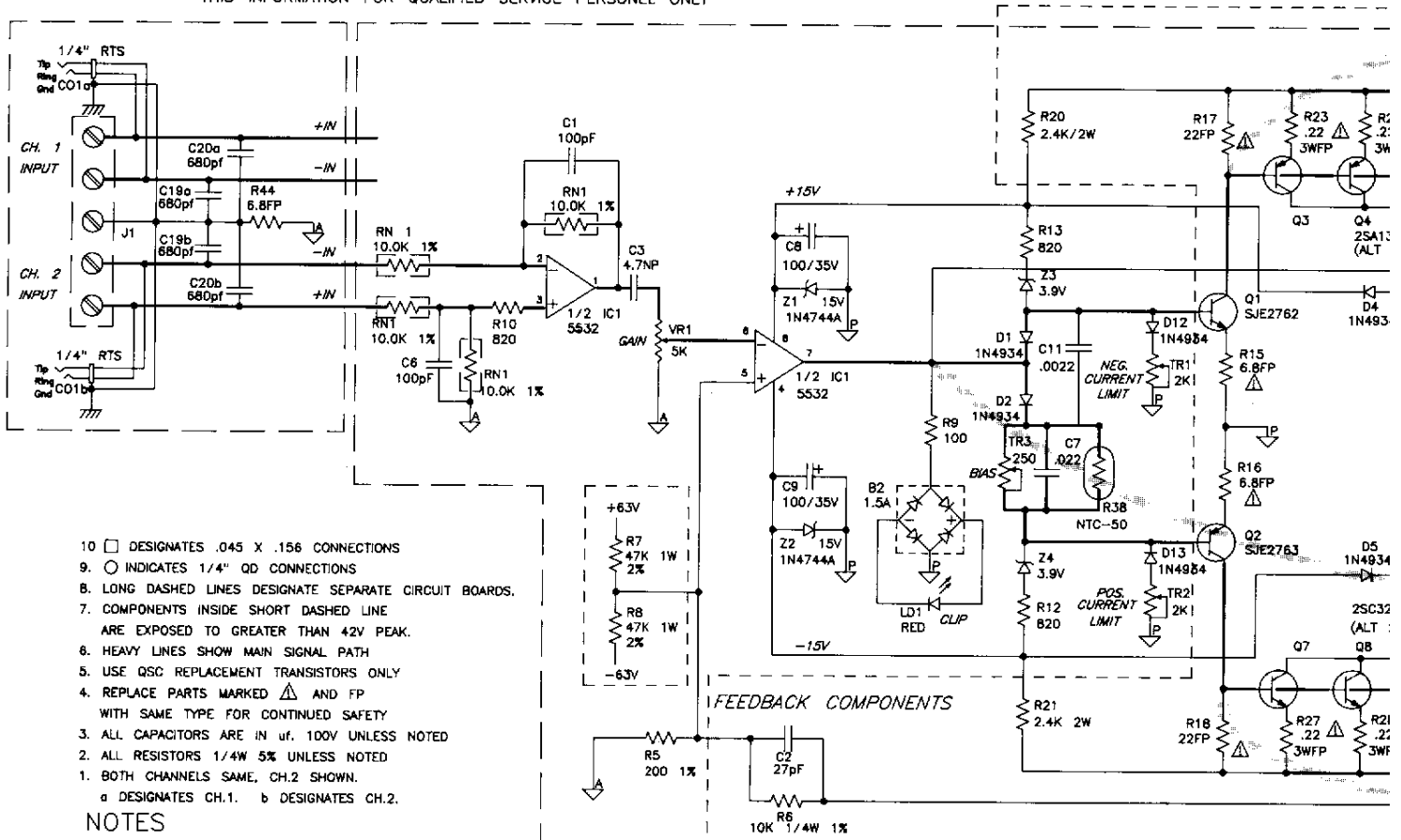


QSC POWER AMPLIFIER MODEL MX700

SH-000630-CX, REV E PCB, 02-19-80

THIS INFORMATION FOR QUALIFIED SERVICE PERSONEL ONLY

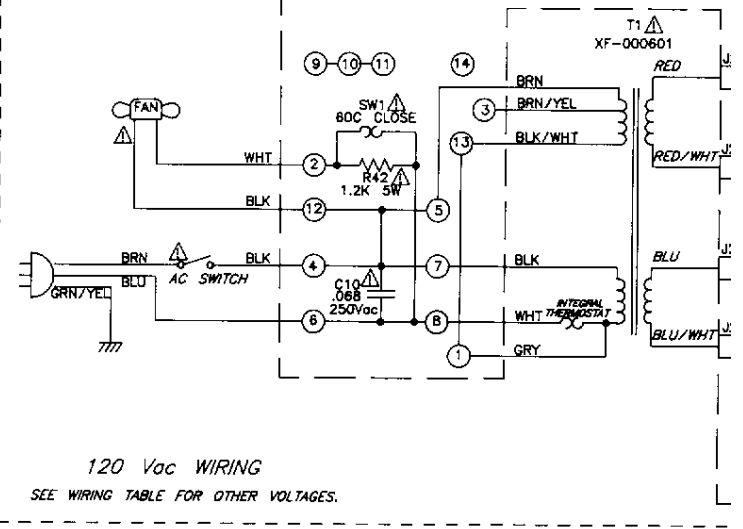
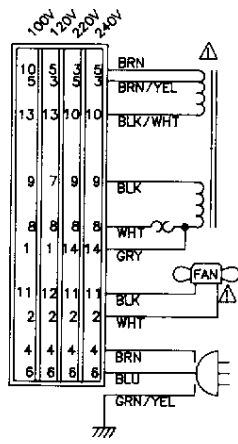


- 10 □ DESIGNATES .045 X .156 CONNECTIONS
- 9. ○ INDICATES 1/4" QD CONNECTIONS
- 8. LONG DASHED LINES DESIGNATE SEPARATE CIRCUIT BOARDS.
- 7. COMPONENTS INSIDE SHORT DASHED LINE ARE EXPOSED TO GREATER THAN 42V PEAK.
- 6. HEAVY LINES SHOW MAIN SIGNAL PATH
- 5. USE QSC REPLACEMENT TRANSISTORS ONLY
- 4. REPLACE PARTS MARKED △ AND FP WITH SAME TYPE FOR CONTINUED SAFETY
- 3. ALL CAPACITORS ARE IN uf. 100V UNLESS NOTED
- 2. ALL RESISTORS 1/4W 5% UNLESS NOTED
- 1. BOTH CHANNELS SAME, CH.2 SHOWN.
- a DESIGNATES CH.1. b DESIGNATES CH.2.

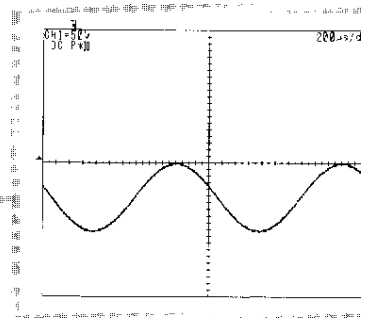
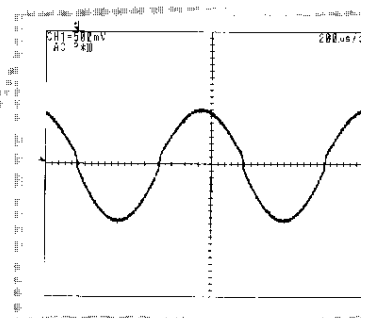
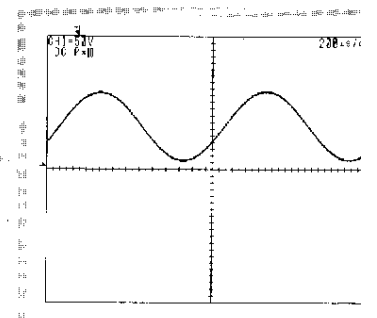
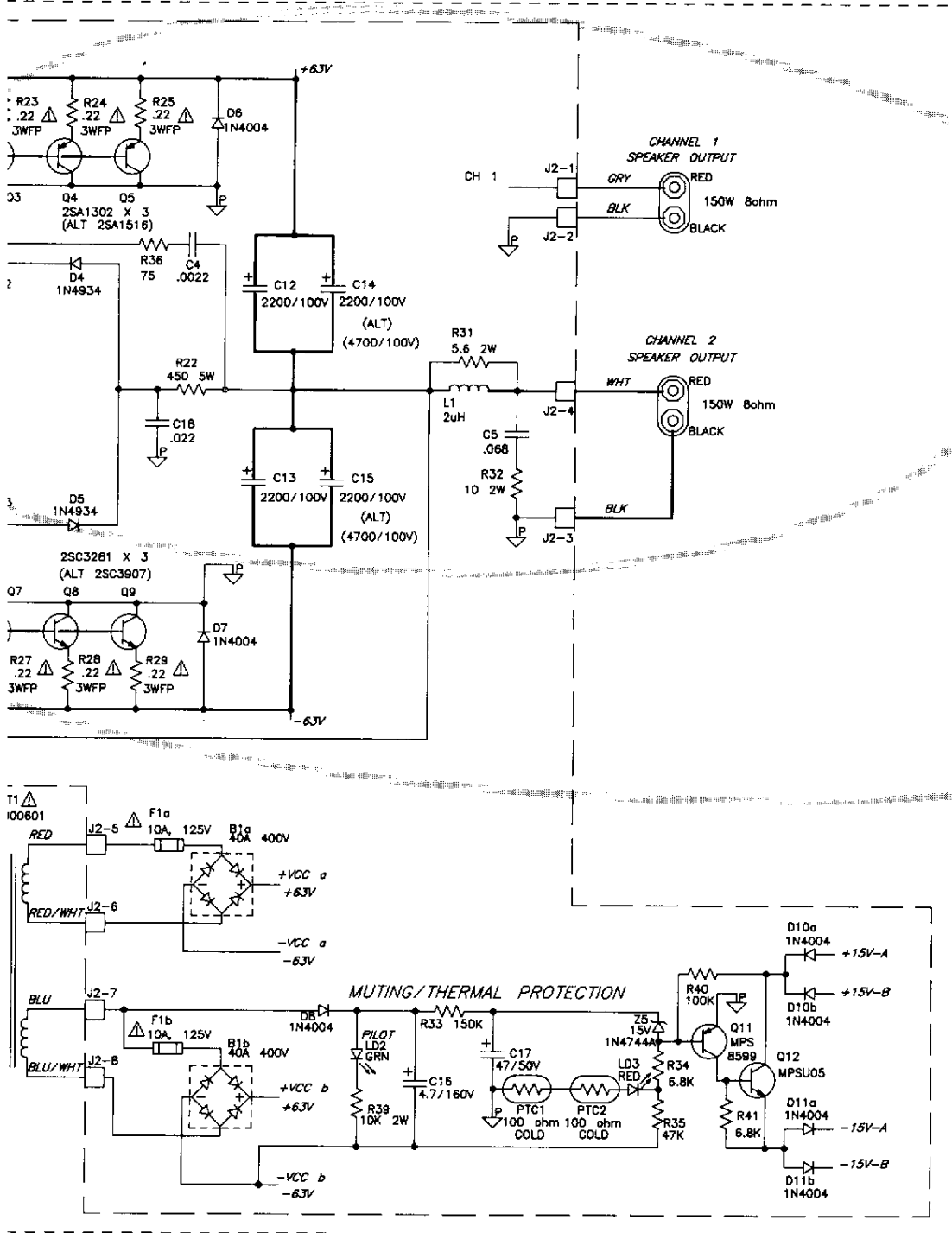
NOTES

LAST USED	NOT USED
B3	B3
C21	C21
D13	D3, 9
F1	
IC2	IC2
LD3	
Q13	Q6,10,13
R43	R1,2,3,4,11 14,19,26,30 37,43
TR3	
Z5	
RN1	
VR1	
PTC 2	
L1	
SW1	

WIRING CHART
XF-000601



120 Vac WIRING
SEE WIRING TABLE FOR OTHER VOLTAGES.



**MXa Series Parts List****MX700 Main Board Assembly**

Part Number	Description	Reference
CA-027100-BM	27PF, 100V, 10%, MICA	C2A,B
CA-110100-BM	100PF, 100V, 5%, MICA	C1A,B
		C6A,B
CA-168100-BD	680PF, 100V, 10%, DISK	C19A,B
		C20A,B
CA-222200-BP	.0022UF, 200V, 10%, MYLAR	C11A,B
		C4A,B
CA-322100-BP	.022UF, 100V, 10%, MYLAR	C18A,B
		C7A,B
CA-368100-BP	.068UF, 100V, 10%, MYLAR	C5A,B
CA-368250-AS	.068UF, 250V, SURGE CAP	C10
CA-547016-BN	4.7UF, 16V, RADIAL, NON-POLAR	C3A,B
CA-547160-BE	4.7UF, 160V, ELEC, RADIAL, 10%	C16
CA-647050-BE	47UF, 50V, ELEC., RADIAL, 10%	C17
CA-710035-BE	100UF, 35V, ELEC., RADIAL, 10%	C8A,B
		C9A,B
CA-822100-BE	220OUF, 100V, ELEC, RADIAL,10%	C12-15A,B
CH-000622-BX	MX-700 HEAT SINK FAB	
CH-000624-AX	CLAMP TO-3 PL 6 FINGER	
CO-000000-ZT	Z-TABS WITH SUPPORTS	Z1 THRU 12
CO-000005-BS	5 POSITION BARRIER STRIP	J1
CO-000008-IC	8 PIN IC SOCKET	IC1A,B
CO-300112-PJ	“.25” PHONE JACK PC MOUNT	CO1A,B
CO-641119-AH	8 PIN .156”/C HEADER	J2
HW-000007-HW	5MM FUSE CLIP	F1A,B
HW-000012-HW	3/4” STAMPED BRACKET W/#6	SW1 (REF)
HW-060100-SO	#6-32 X 1” STANDOFF INSULATED	
HW-060402-SP	7/8” X #8 SNAP-IN STANDOFF	J1
IC-005532-OP	5532 OP-AMP	IC1A,B
LB-100006-PC	PRODUCTION CONTROL LABEL SMALL 1	
MS-000048-HS	HEAT SINK, ISOL TO-220	REF:Q1A,B
		REF:Q2A,B
		F1A,B
MS-10.250-FU	250V 10A 5X20MM FUSE	
PC-000640-CX	MX-700 MAIN PCB	
PL-903125-SP	BIVAR 903-125 SPACER	LD1A,B
		R38A,B
PL-905156-SP	SPACER, BIVAR 905-156	LD3
PL-905385-SP	BIVAR 905-385 SPACER	LD1A,B
		LD2
PL-909235-SP	BIVAR 909-235 SPACER	LD1A,B
		LD2
PT-125000-AT	250 OHM TRIMPOT	TR3A,B
PT-220000-AT	2K OHM TRIMPOT	TR1A,B
		TR2A,B
PT-250000-CR	5K OHM NOBLE RIGHT ANGLE POT	
QD-000004-TX	MPS-U05 TRANSISTOR, NPN	Q12
QD-000018-QD	2SC3298B DRIVER TRANSISTOR	Q1A,B
QD-000019-QD	2SA1306B DRIVER TRANSISTOR	Q2A,B
QD-000134-LG	GREEN T-1 3/4 LED, HLMP 3519	LD2
QD-000134-LR	RED T-1 3/4 LED, XC 4655	LD1A,B
QD-0003.9-ZT	3.9V TESTED ZENER	Z3A,B
		Z4A,B
QD-001302-PN	180V 12A TO3P TRANSISTOR	Q3-5A,B
QD-001340-LR	RED T-1 3/4 LED, UTILITY	LD3
QD-003281-NP	180V 12A TO3P TRANSISTOR	Q7-9A,B
QD-004004-DX	1N4004 DIODE	D10A,B
		D11A,B
		D6A,B
		D7A,B

QD-004744-ZA	1N4744A 15 VOLT ZENER DIODE	D8
		Z1A,B
		Z2A,B
		Z5
QD-004934-DX	1N4934 DIODE	12A,B
		13A,B
		D4A,B,5A,B
QD-004934-VP	1N4934 VERTICAL PREP DIODE	1/4W., OR
		8500-7
		9T
		D1A,B 2A,B
		DIE P/N:
QD-008599-TX	MPS 8599 TRANSISTOR, PNP	Q11
QD-1.5200-BX	1.5A 200 VOLT BRIDGE RECTIFIER	B2A,B
QD-400400-BX	40 AMP,400 VOLT, BR. RECTIFIER	B1A,B
RE-.02205-FW	.22 OHM, 3WATT, WIREWOUND, 10%	R23-25A,B
		R27-29A,B
RE-.56005-EM	5.6 OHM, 2 WATT METAL OXIDE 5%	R31A,B
RE-.68005-DM	6.8 OHM, 1 WATT, MET. OXIDE 5%	R15A,B
		R16A,B
		R44
RE-000009-VP	90 C PTC RESISTOR VERT. PREP.	DIE: 9610C
		PC1,PC2,
RE-000050-NR	SC-50 NTC RESISTOR	R38A,B
RE-001005-EM	10 OHM, 2 WATT, METAL OXIDE 5%	R32A,B
RE-002205-DM	22 OHM, 1 WATT, METAL OXIDE 5%	R17A,B
		R18A,B
RE-007505-BC	75 OHM, 1/4 WATT	R36A,B
RE-010005-BC	100 OHM, 1/4 WATT, CARBON, 5%	
		R9A,B
RE-020001-BM	200 OHM, 1/4 WATT, MET FILM 1%	R5A,B
RE-045010-HW	450 OHM, 5 WATT, WIREWOUND 10%	R22A,B
RE-082005-BC	820 OHM, 1/4 WATT, CARBON, 5%	R10A,B
		R12A,B
		R13A,B
RE-112005-HW	1.2K OHM, 5 WATT	R42
RE-124005-EM	2.4K OHM, 2 WATT MET. OXIDE 5%	R20A,B
		R21A,B
RE-168005-BC	6.8K OHM, 1/4 WATT, CARBON 5%	R34,41
RE-210001-BM	10.0K OHM, 1/4W., MET. FLM. 1%	R6A,B
RE-210005-EM	10K OHM, 2 WATT, MET. OXIDE 5%	R39
RE-247005-BC	47K OHM, 1/4 WATT, CARBON 5%	R35
RE-247005-DM	47K OHM, 1W, 5% METAL OXIDE	
RE-310005-BC	100K OHM, 1/4 WATT. CARBON 5%	R40
RE-315005-BC	150K OHM, 1/4 WATT, CARBON 5%	R33
RN-210002-BM	10K OHM, 8 PIN, SIP	RN1A,B
SC-060041-PP	6-32 X 1/4” TYPE I PH PAN, BLK	
SC-081101-SP	#8-18,AB,5/8,TYPE 1 (PHIL) PH	
SW-000028-SW	55C THERMAL SWITCH N.O. TO-220,SW1	
WC-0.3022-JW	.3” JUMPER, WHITE, 22 GA SLD	W1,2,3,4
WC-0.6022-JW	.6” JUMPER, WHITE, 22 GA, SLD	W10,13
		W5,6,7,8,
		W12
WC-003051-TQ	12” 5 CONN FLEX CABLE	W9
WC-2.2522-JW	2.25” JUMPER, WHT, 22 GA, SLD	
XF-200016-CR	2UH,16GA., COIL/VERTICAL	L1A,B