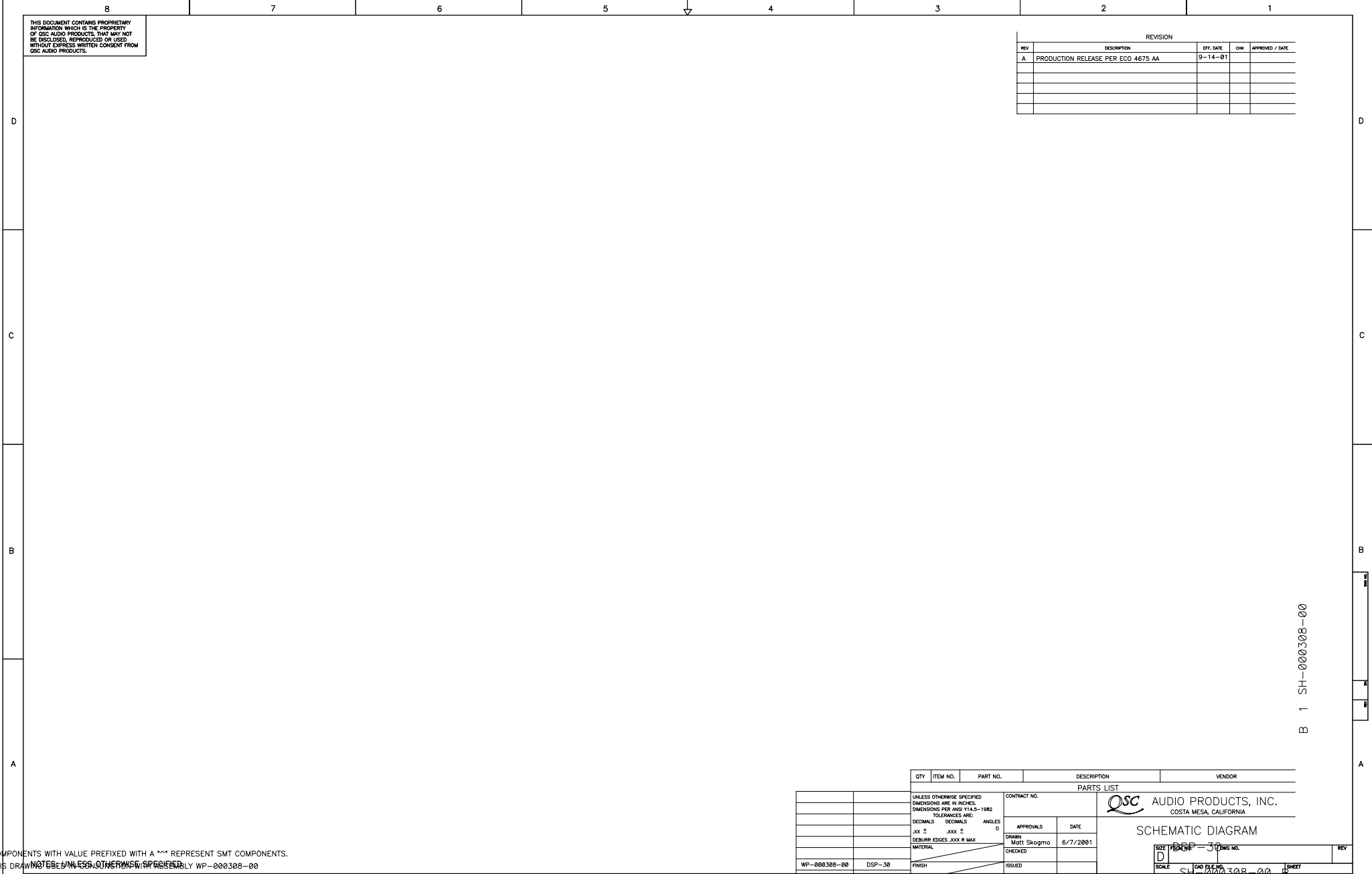


THIS DOCUMENT CONTAINS PROPRIETARY INFORMATION WHICH IS THE PROPERTY OF QSC AUDIO PRODUCTS. THAT MAY NOT BE DISCLOSED, REPRODUCED OR USED WITHOUT EXPRESS WRITTEN CONSENT FROM QSC AUDIO PRODUCTS.

REVISION				
REV	DESCRIPTION	EFF. DATE	CHK	APPROVED / DATE
A	PRODUCTION RELEASE PER ECO 4675 AA	9-14-01		



B 1 SH-000308-00

QTY	ITEM NO.	PART NO.	DESCRIPTION	VENDOR
-----	----------	----------	-------------	--------

CONTRACT NO. QSC AUDIO PRODUCTS, INC. COSTA MESA, CALIFORNIA

DECIMALS	DECIMALS	ANGLES
.XX ±	.XXX ±	0
DEBURK EDGES .XXX R MAX		
MATERIAL		
FINISH		
DO NOT SCALE DRAWING		

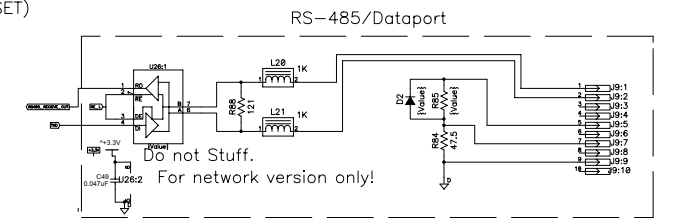
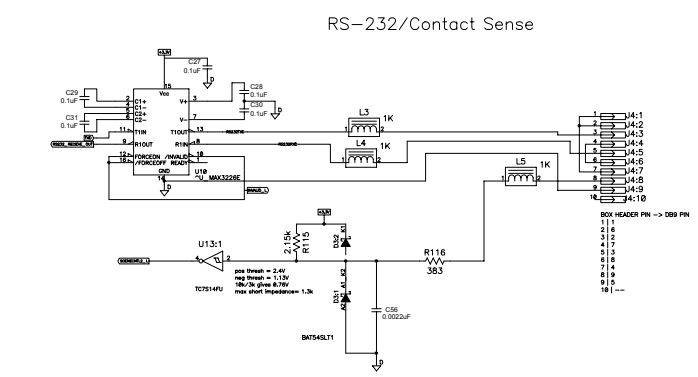
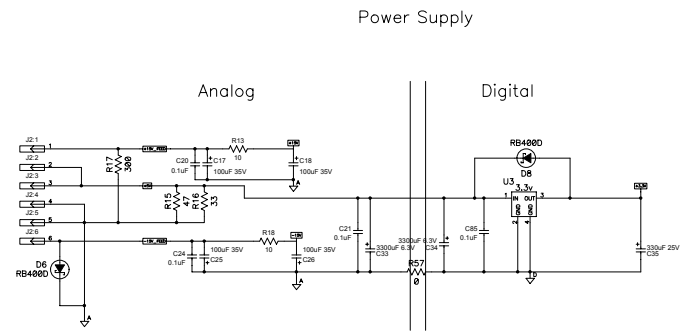
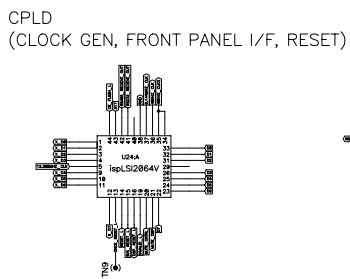
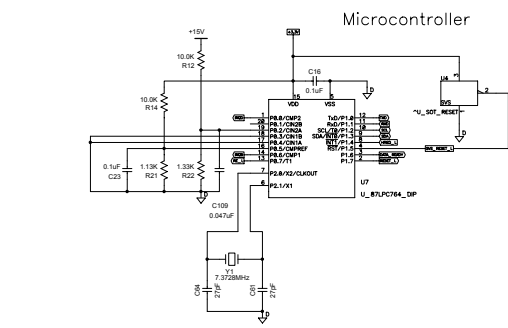
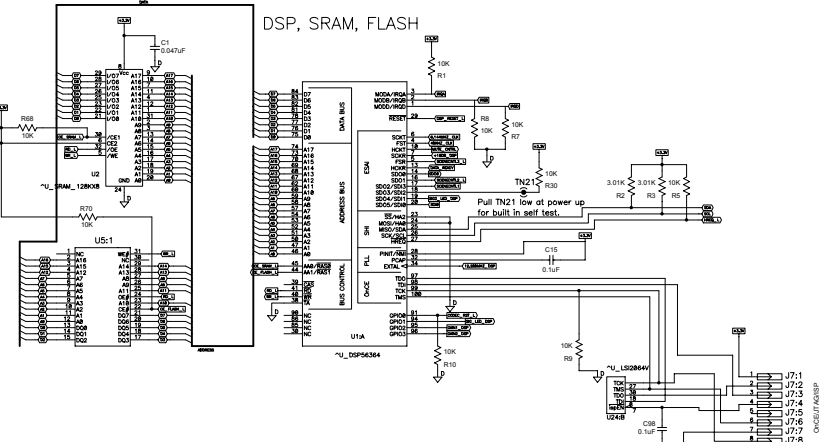
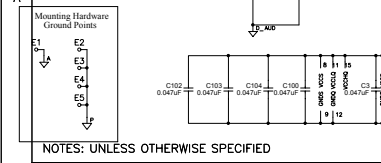
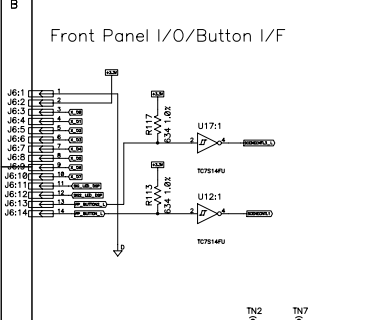
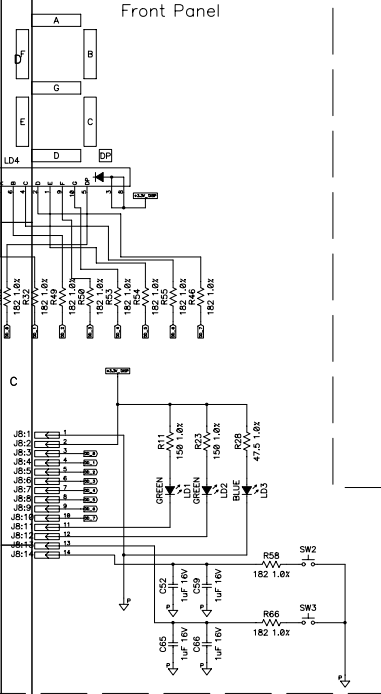
APPROVALS	DATE
DRAWN Matt Skogmo	6/7/2001
CHECKED	
ISSUED	

SCHEMATIC DIAGRAM
 SIZE: 11.5 x 14.5
 SCALE: SH-000308-00
 1 of 13

2. COMPONENTS WITH VALUE PREFIXED WITH A *** REPRESENT SMT COMPONENTS.
 1. THIS DRAWING IS UNLESS OTHERWISE SPECIFIED WP-000308-00

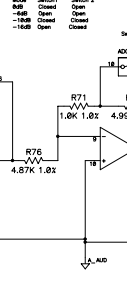
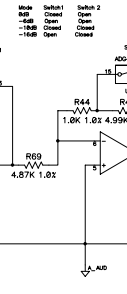
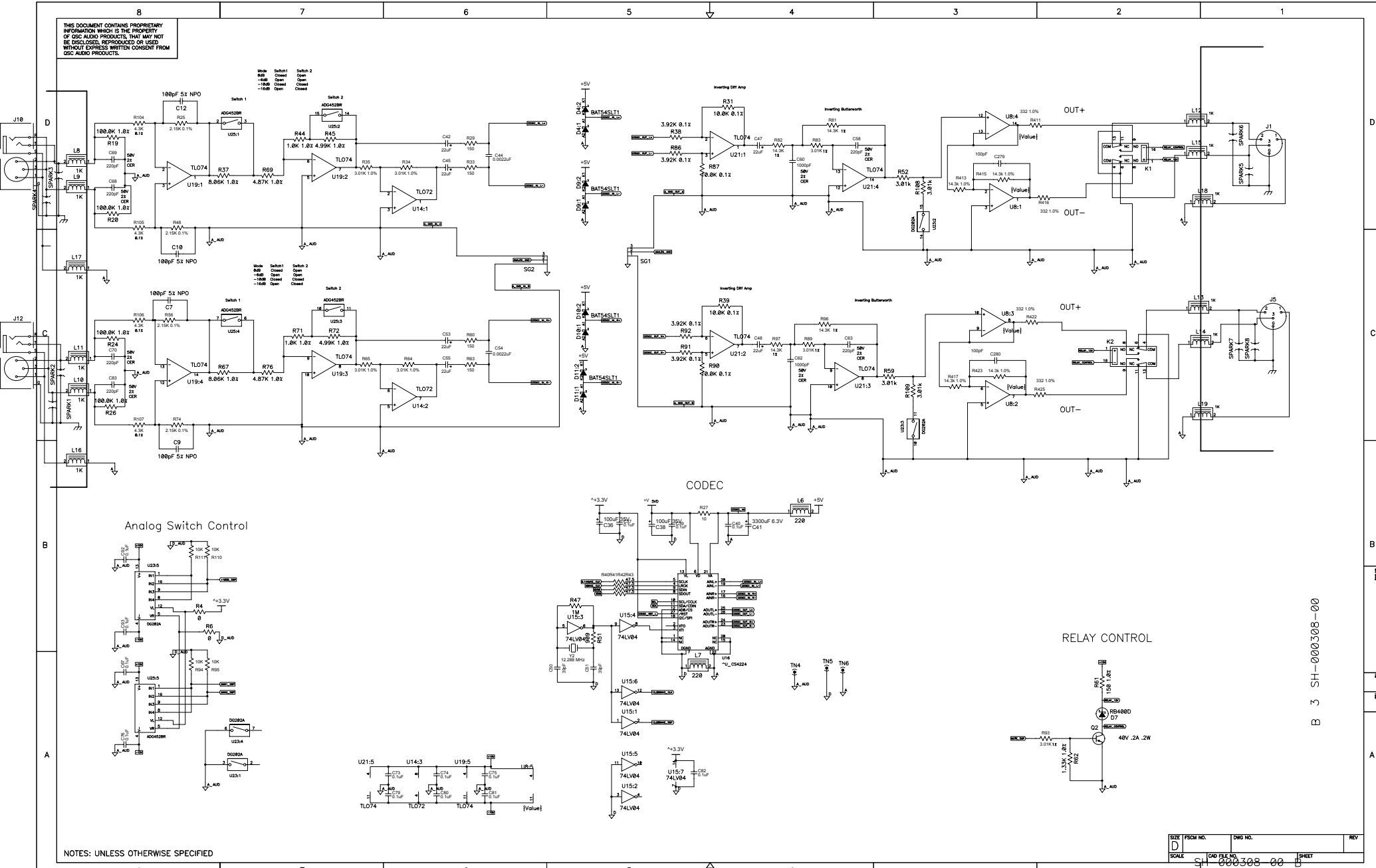
THIS DOCUMENT CONTAINS PROPRIETARY INFORMATION WHICH IS THE PROPERTY OF GSC AUDIO PRODUCTS. THAT MAY NOT BE DISCLOSED, REPRODUCED OR USED WITHOUT EXPRESS WRITTEN CONSENT FROM GSC AUDIO PRODUCTS.

DSP-30

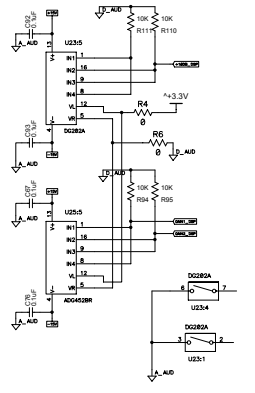


NOTES: UNLESS OTHERWISE SPECIFIED

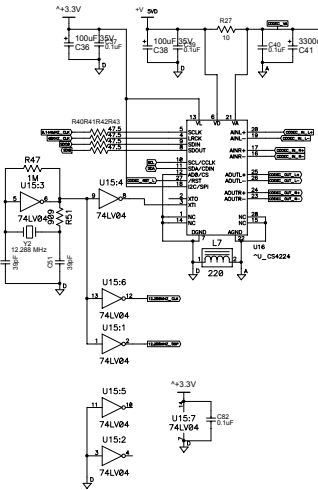
THIS DOCUMENT CONTAINS PROPRIETARY INFORMATION WHICH IS THE PROPERTY OF GSC AUDIO PRODUCTS. THAT MAY NOT BE DISCLOSED, REPRODUCED OR USED WITHOUT EXPRESS WRITTEN CONSENT FROM GSC AUDIO PRODUCTS.



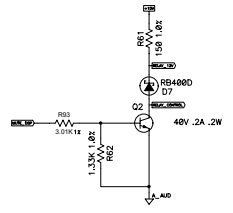
Analog Switch Control



CODEC



RELAY CONTROL



NOTES: UNLESS OTHERWISE SPECIFIED

B 3 SH-000308-00