

REVISION RECORD	
DATE:	APPROVED:
ECD NO.:	
LTR	

1

2

3

4

5

6

D

C

B

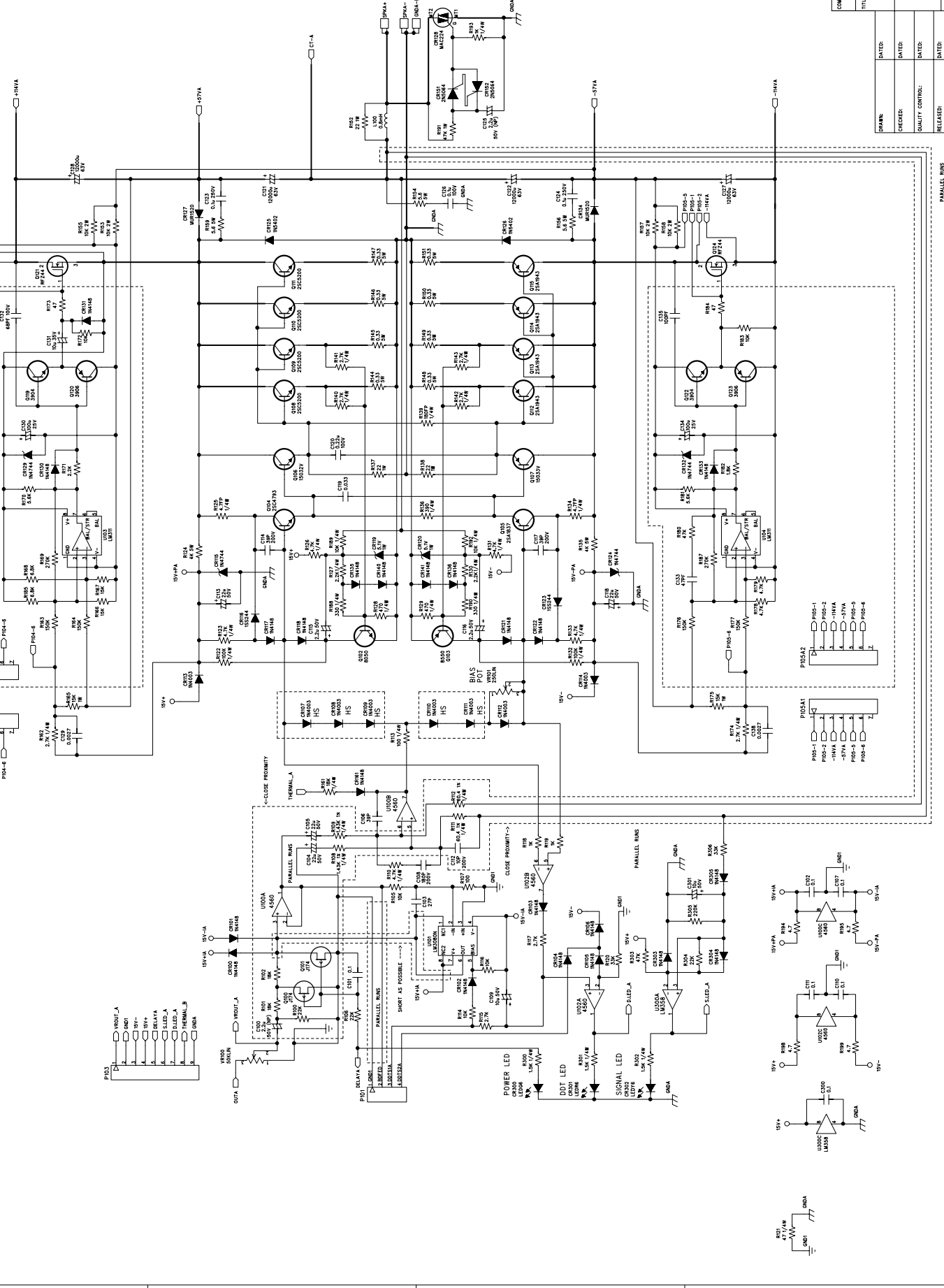
A

D

C

B

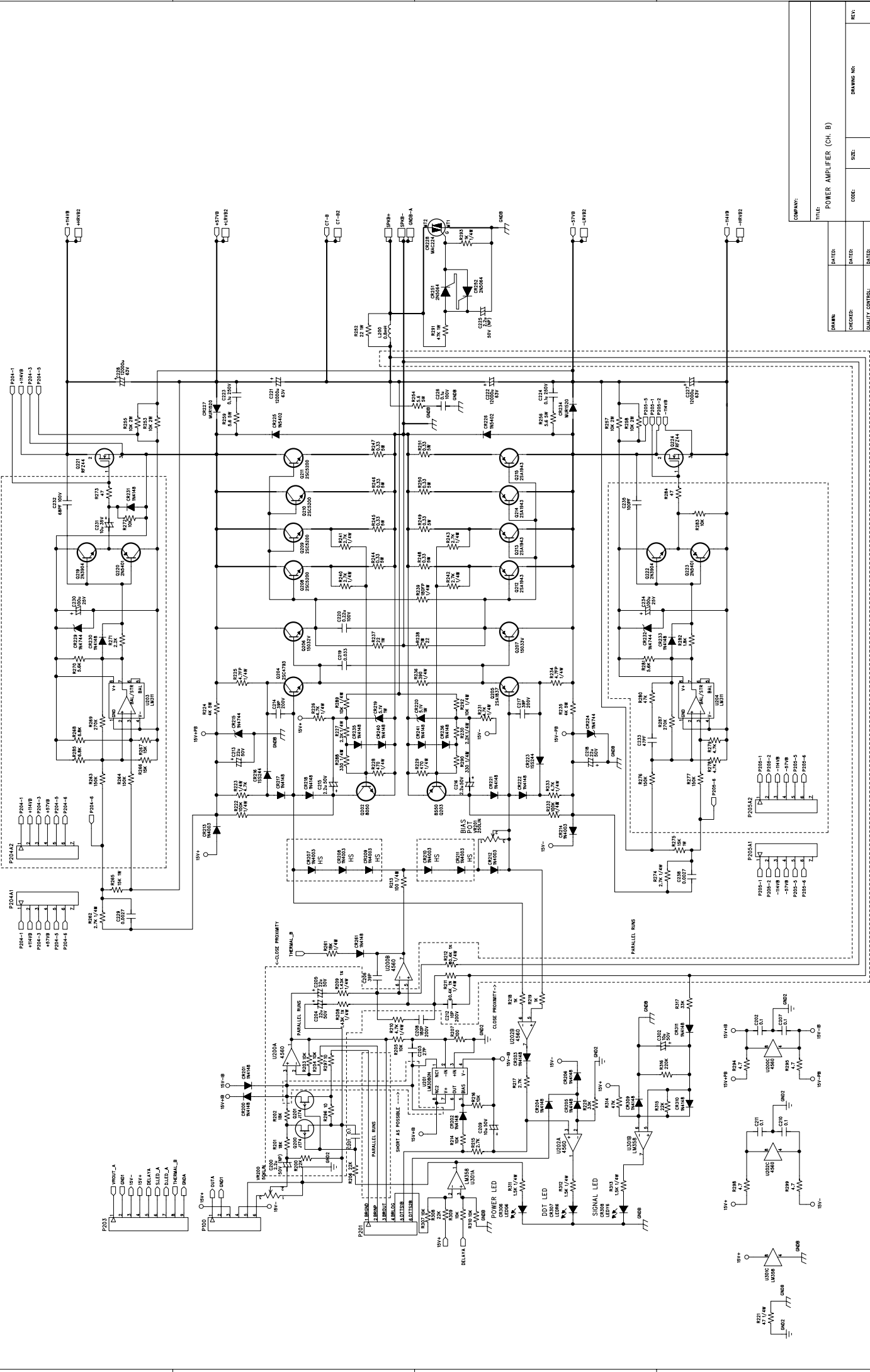
A



COMPANY:	POWER AMPLIFIER (CH. A)		
TITLE:	DATE:	DRAWING NO.:	REV.:
DRAWN:	CHECKED:	CODE:	SIZE:
RELEASED:	QUALITY CONTROL:	DATE:	SCALE:
			SHEET: OF

REVISED RECORD	DATE:
ECO NO.:	
LTR	

1
2
3
4
5
6

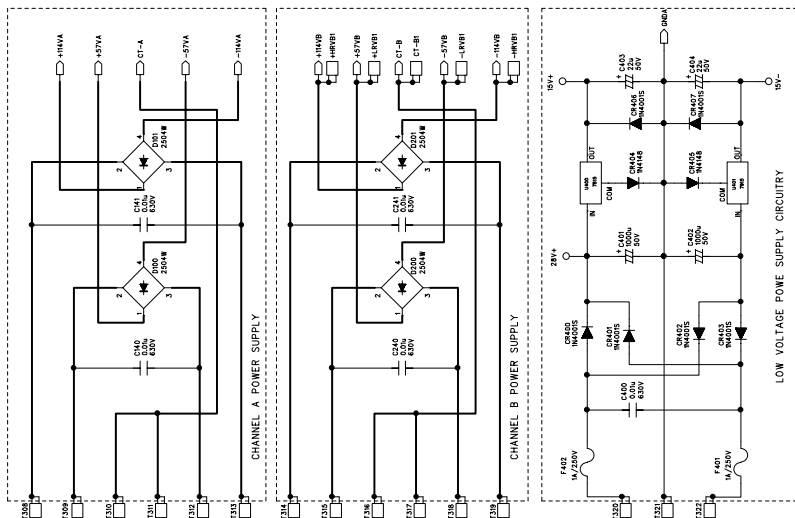


DATE:	DRAWING NO.:	REV.:
CHECKED:	CODE:	SIZE:
QUALITY CONTROL:	DATE:	RELEASED:
DATE:	SCALE:	SHEET: OF

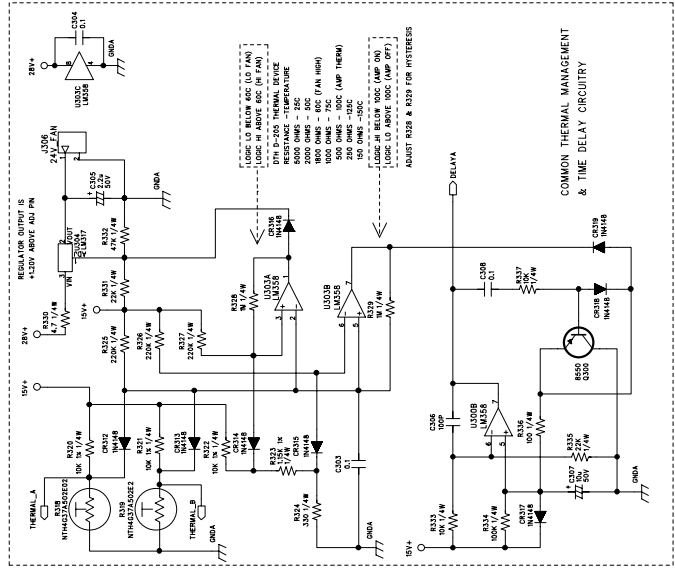
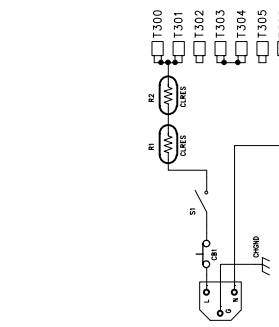
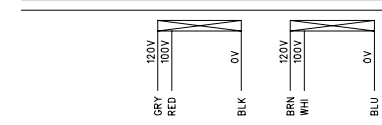
COMPANY: TITLE: POWER AMPLIFIER (CH. B)

REVISED RECORD	DATE:
LTR	
ECO NO.	
APPROVED:	

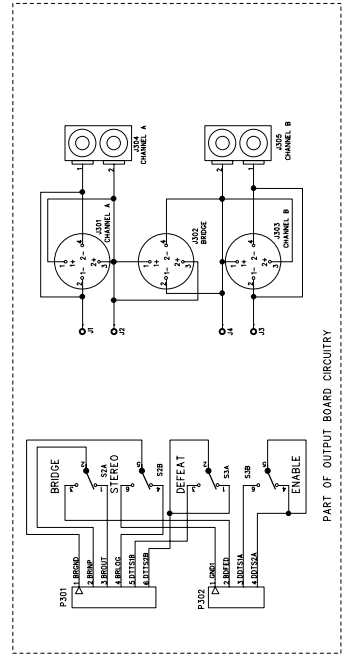
1 2 3 4 5 6



MAINS SELECT	
240V	120V 100V
PRIMARY LEADS	
GRY	RED
BRN	WHI
RED	GRY
BLK	-
BRN	-
WHI	BRN
-	BLK
BLU	BLU
CIRCUIT BREAKER	
7.5A	15A
250V	125V
SURGE LIMITER	
15A	30A
2 ohm	1 ohm
	1 ohm



LOGIC LO BELOW 60C (0 FAN)
 LOGIC HI ABOVE 60C (0 FAN)
 07H 0-20S THERMAL SERVICE
 0000 OHMS - 25C
 500 OHMS - 50C (FAN WARM)
 1000 OHMS - 75C (FAN WARM)
 500 OHMS - 100C (AMP THERM)
 150 OHMS - 150C
 LOGIC LO BELOW 100C (AMP ON)
 LOGIC HI ABOVE 100C (AMP OFF)
 ADJUST R328 & R329 FOR HYSTERESIS



PART OF OUTPUT BOARD CIRCUITRY

D

C

B

A

COMPANY:	
DRAWN:	DATE:
CHECKED:	DATE:
QUALITY CONTROL:	DATE:
RELEASED:	DATE:
TITLE:	POWER AMP (OUTPUT, POWER SUPPLY, COMMON THERMAL MANAGEMENT & TIME DELAY CIRCUITRY)
DRAWING NO.:	
REV:	
SCALE:	
SHEET:	OF