

REVISION RECORD	
LTR	DATE

1

2

3

4

5

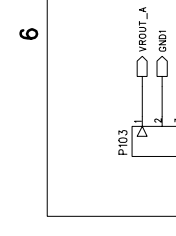
6

D

C

B

A



COMPANY: ORIENT POWER MULTIMEDIA LTD.

TITLE: POWER AMPLIFIER (CH. A)

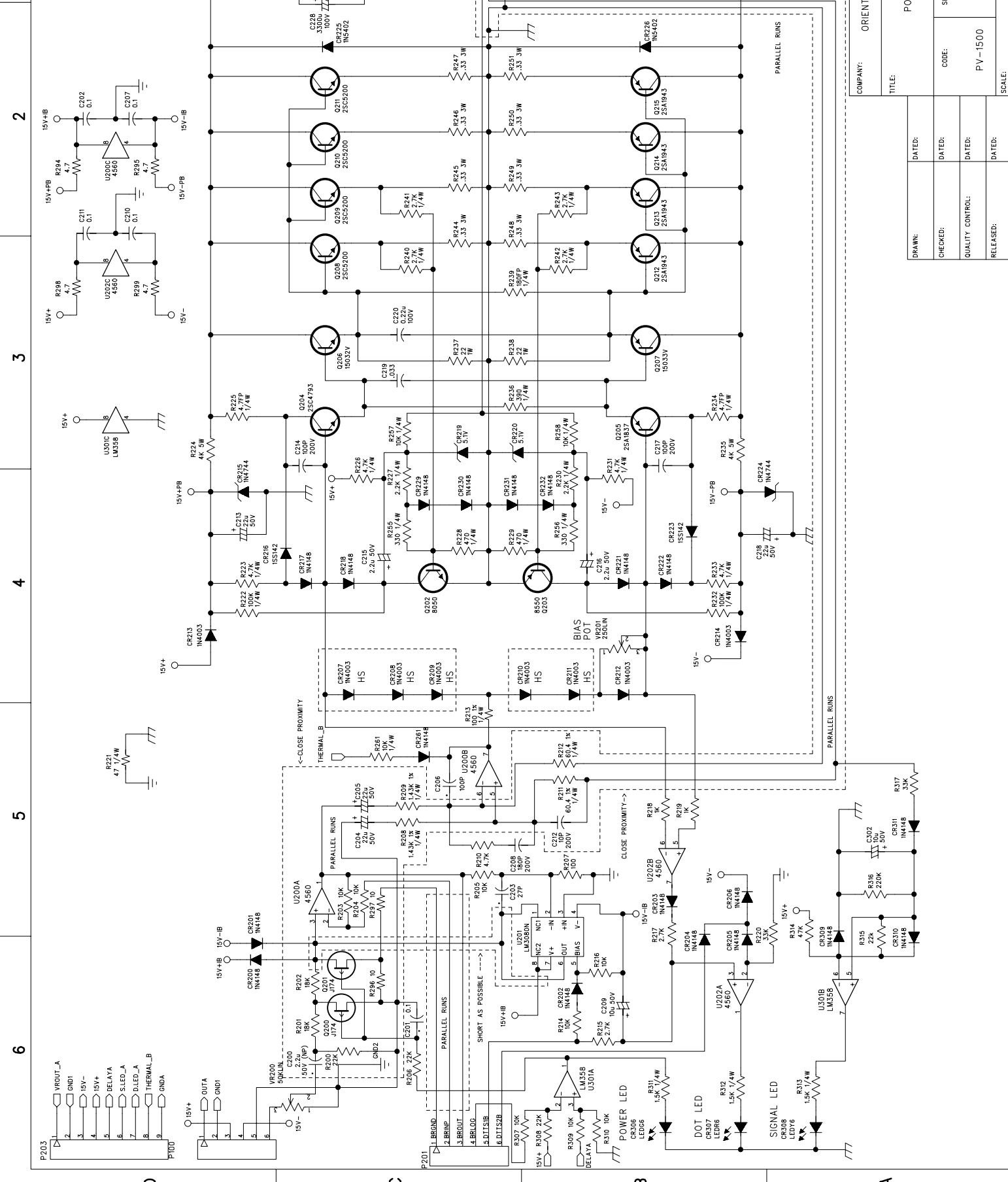
DRAWN: DATED: CHECKED: DATED: QUALITY CONTROL: DATED: RELEASED: DATED: SCALE: 1 OF 3

REV: A

CODE: PV-1500

SIZE: DRAWING NO: REV: A

REVISION RECORD		
LTR	ECD NO.	APPROVED:
		DATE:



COMPANY: ORIENT POWER MULTIMEDIA LTD.	
TITLE: POWER AMPLIFIER (CH. B)	
DRAWN:	DATED:
CHECKED:	DATED:
QUALITY CONTROL:	DATED:
RELEASED:	DATED:
CODE: PV-1500	SIZE:
DRAWING NO:	
REV: A	

SCALE: 2 OF 3	
---------------	--

REVISION RECORD	
LTR	DATE:

1

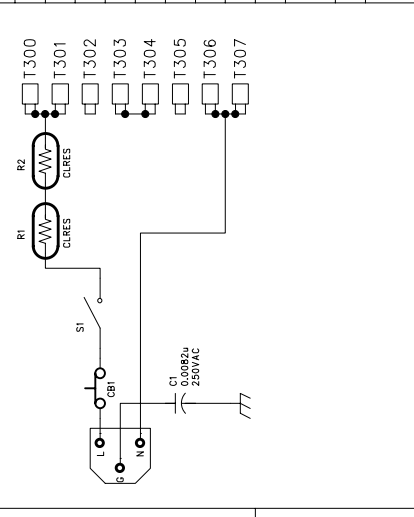
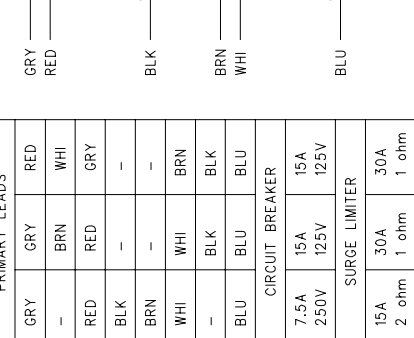
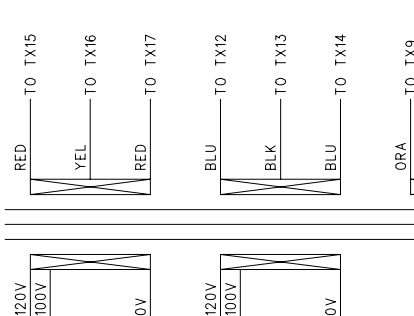
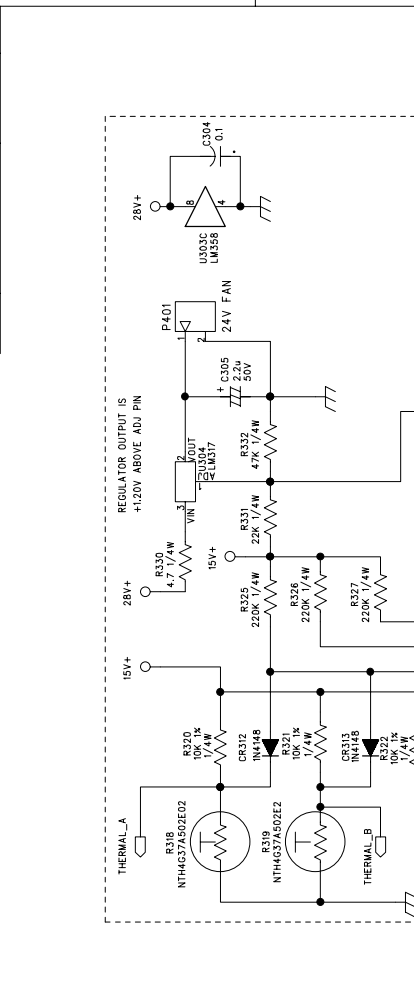
2

3

4

5

6



D

C

B

A

MAINS SELECT	
240V	120V 100V
PRIMARY LEADS	
GRY	RED
BRN	WHI
RED	GRY
BLK	-
BRN	-
WHI	BRN
BLK	BLK
BLU	BLU
CIRCUIT BREAKER	
7.5A	15A
250V	125V
SURGE LIMITER	
15A	30A
2 ohm	1 ohm
1 ohm	1 ohm

COMPANY: ORIENT POWER MULTIMEDIA LTD.

TITLE: POWER AMP (OUTPUT, POWER SUPPLY, COMMON THERMAL MANAGEMENT & TIME DELAY CIRCUITRY)

DRAWN: DATED: CHECKED: DATED: QUALITY CONTROL: DATED: RELEASED: DATED:

CODE: PV-1500 DRAWING NO: REV: A

SCALE: SHEET: 3 OF 3