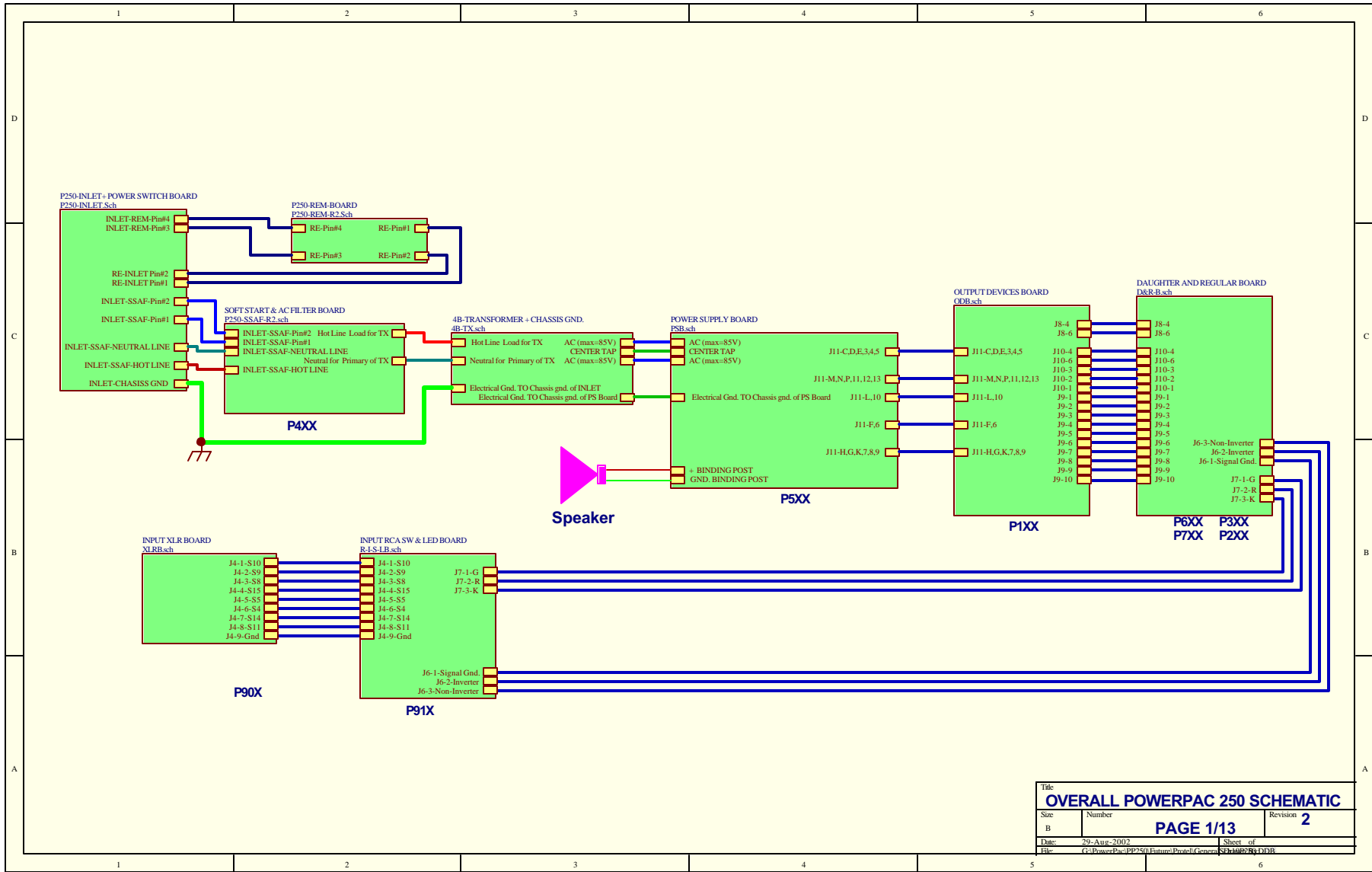
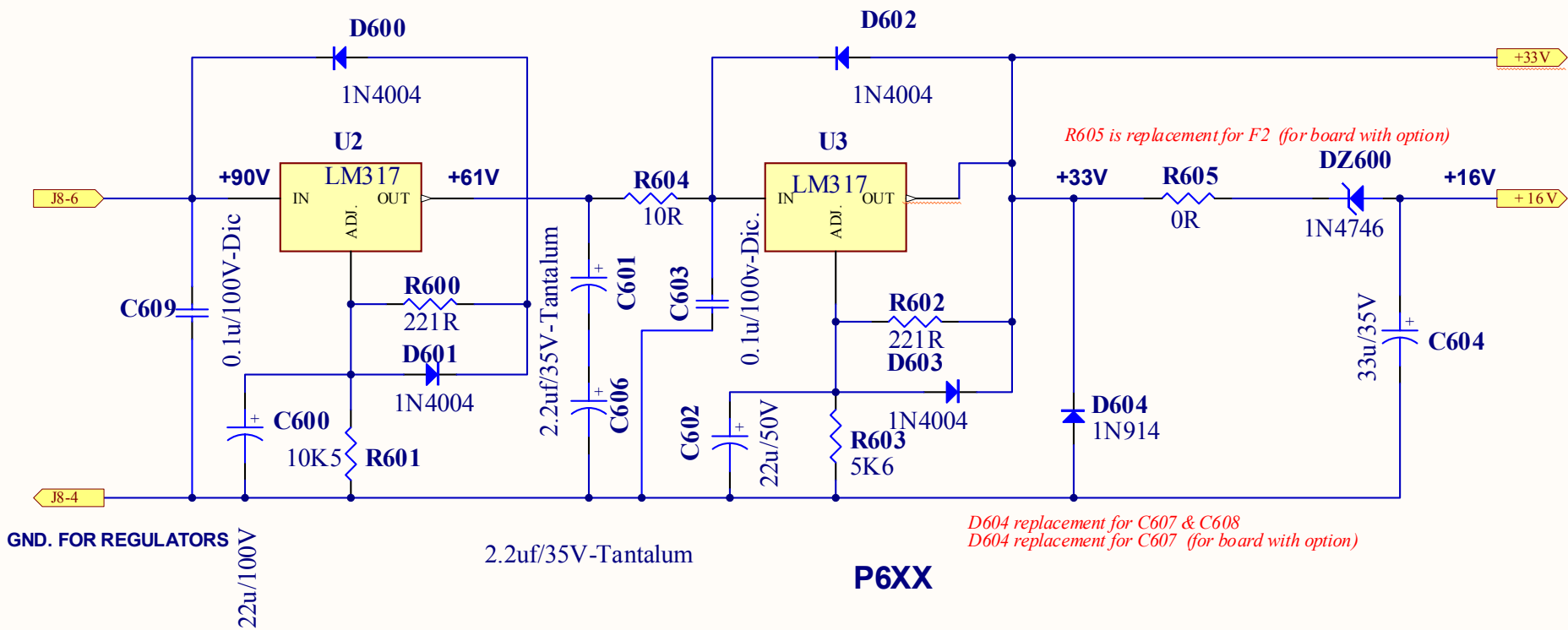


PowerPac 300
Overall Schematic



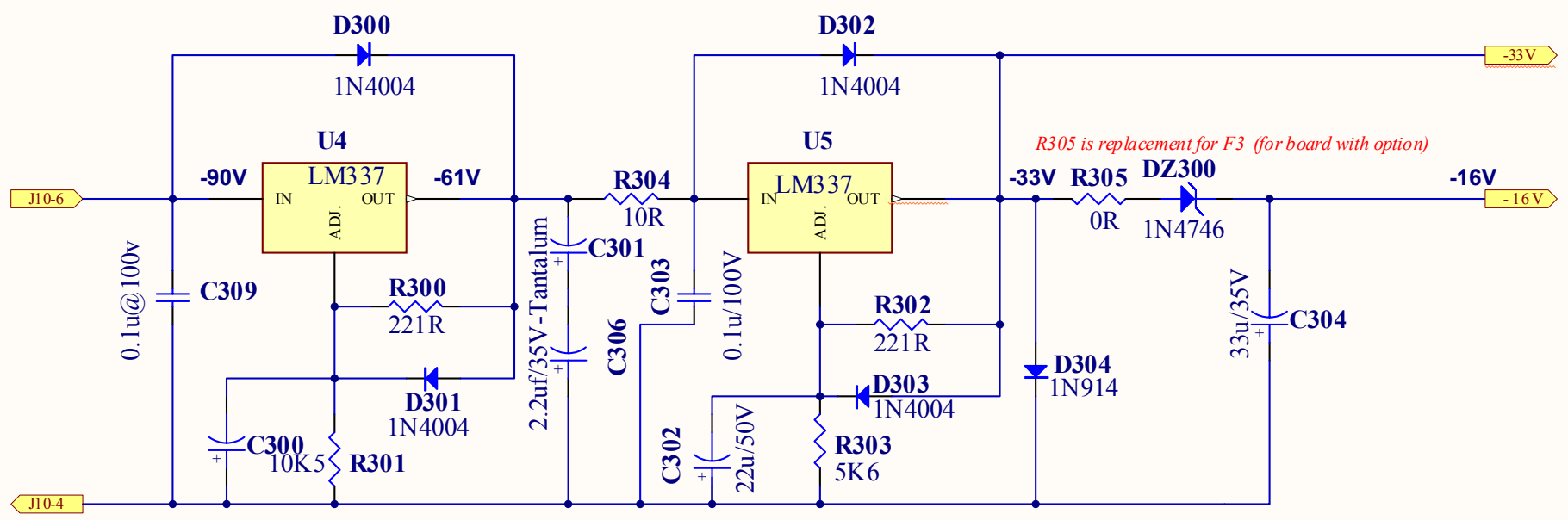


*D604 replacement for C607 & C608
D604 replacement for C607 (for board with option)*

R605 is replacement for F2 (for board with option)

P6XX

Title			
POSITIVE REGULATOR FOR P300			
Size	Number	Revision	
A		PAGE 13/14	
		2	
Date:	2004-08-26	Sheet of	
File:	G:\PowerPac\...\PR+33V+16V.sch	Drawn By:	<i>JNL</i> xq



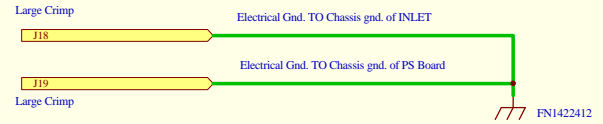
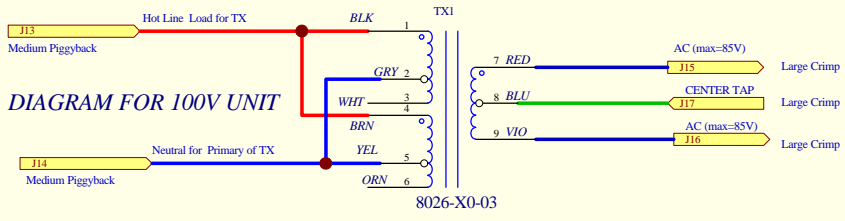
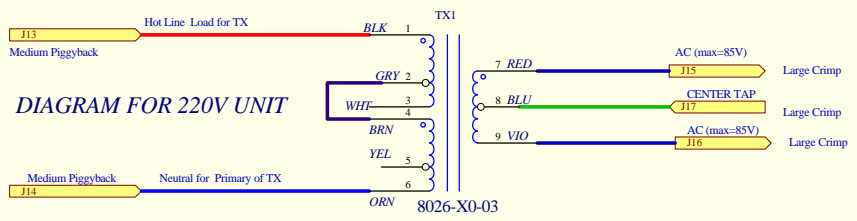
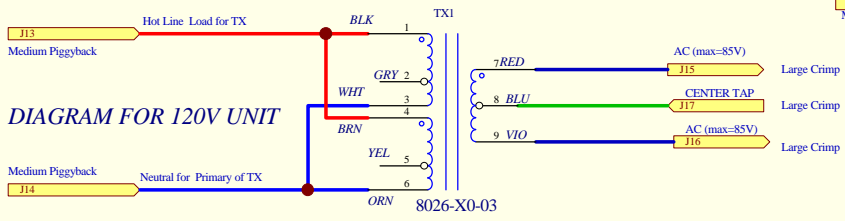
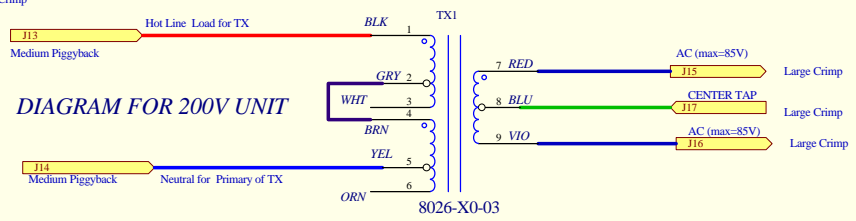
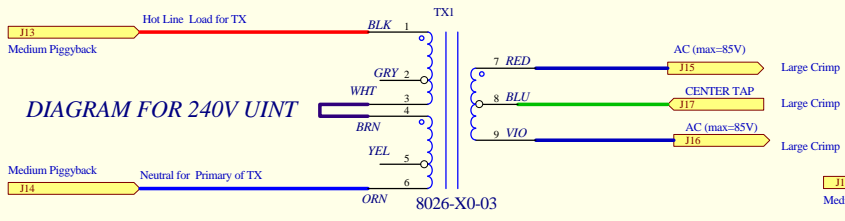
GND. FOR REGULATORS 22u/100V

2.2uf/35V-Tantalum

*D304 replacement for C307 & C308
D304 replacement for C307 (for board with option)*

P3XX

Title			
NEGATIVE REGULATOR FOR P300			
Size	Number	Revision	
A	PAGE 14/14	2	
Date:	2004-08-26	Sheet of	
File:	G:\PowerPac\...\PR-33V-16V.sch	Drawn By:	xq



Title			
Transformer & Chassis Gnd. for P300			
Size	Number	Revision	1
B		PAGE 2/13	
Date:	8-May-2003	Sheet of	
File:	G:\PowerPac\Prj250 or 300\Present\Protel\chassisgnd.p300.ddb		

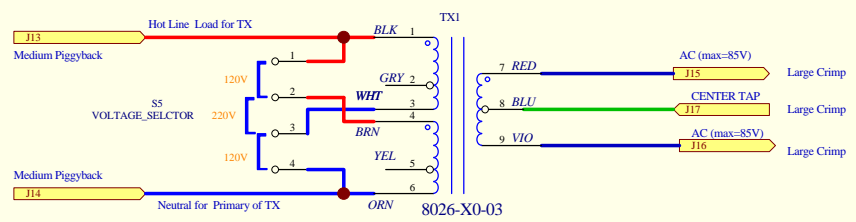
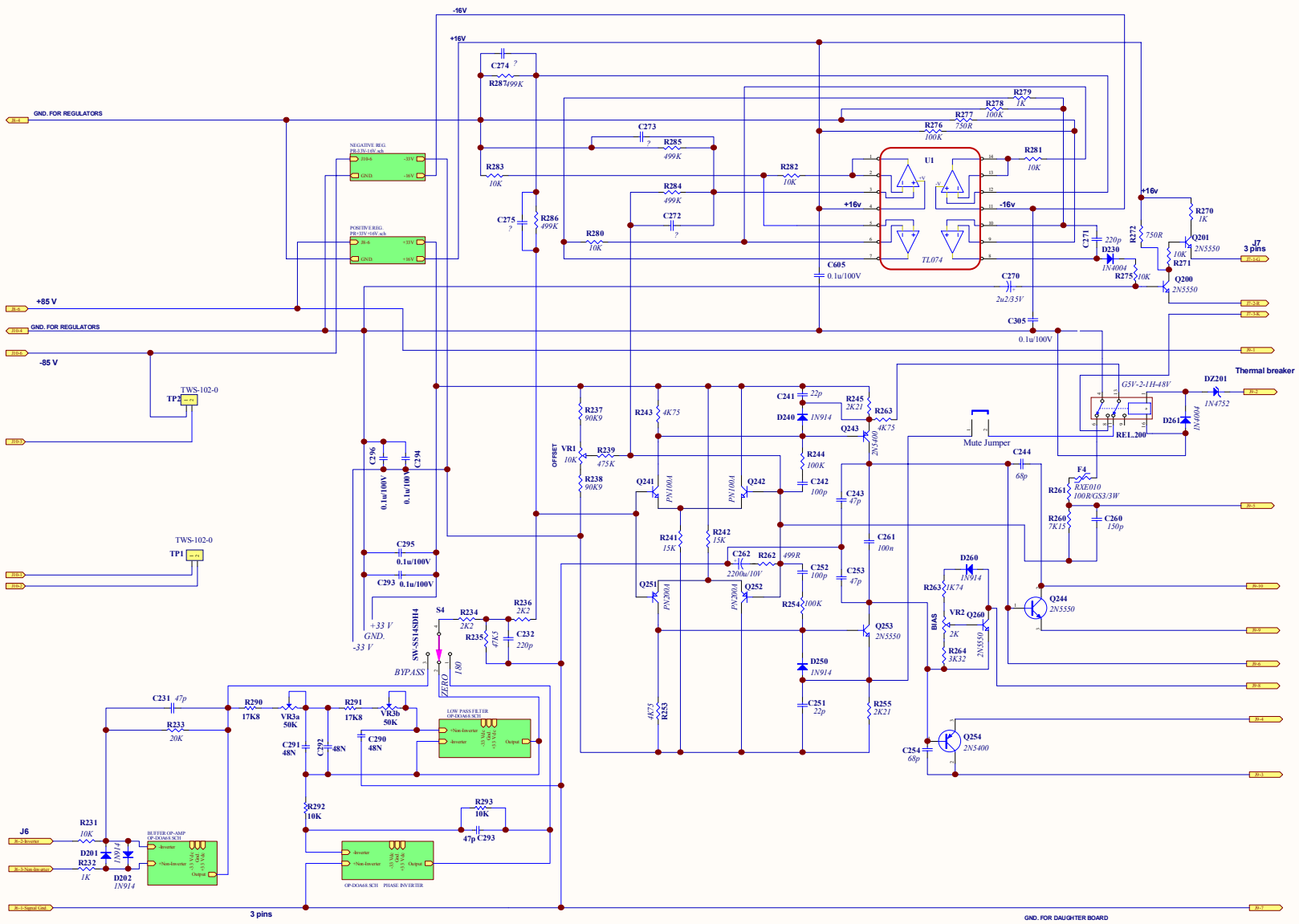
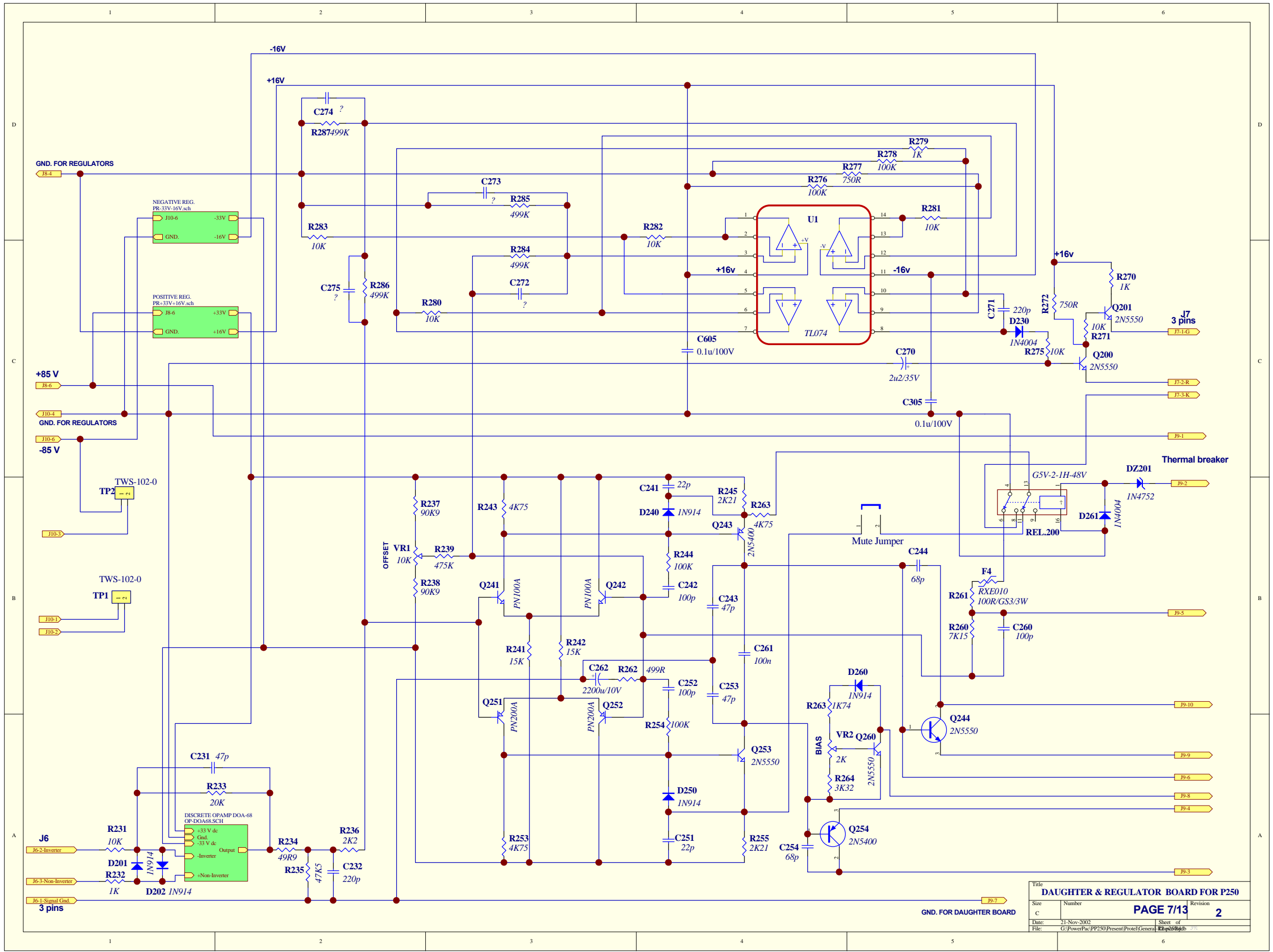


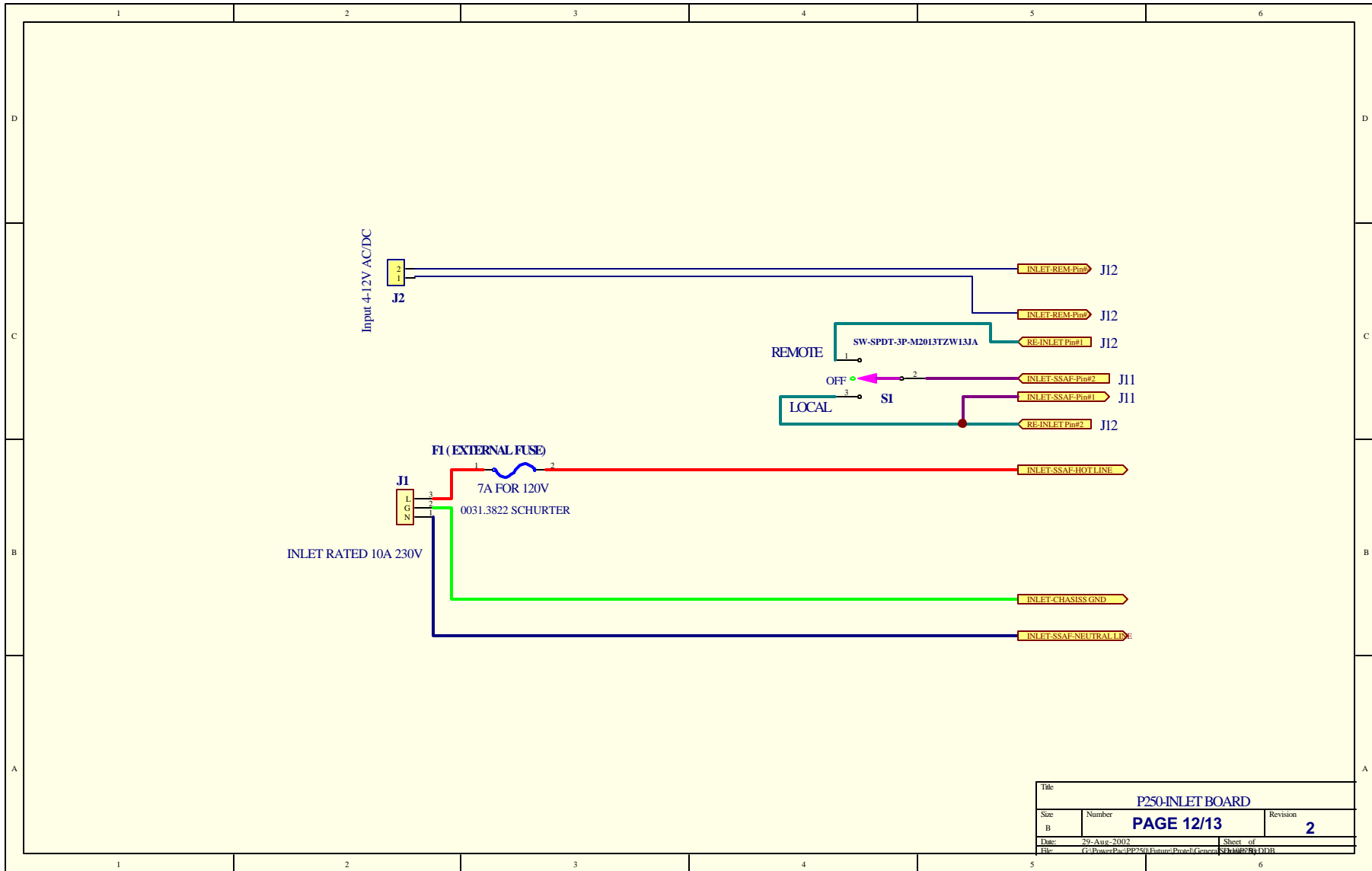
DIAGRAM FOR 240V OR 120V UINT

Title		
POWERPAC 300 WITH VOLTAGE SELECTOR		
Size	Number	Revision
B		1
Date:	19-Aug-2003	Sheet of
File:	G:\PowerPac\Prj250 or 300\Present\Protel 99 SE\PowerPac300.ddb	

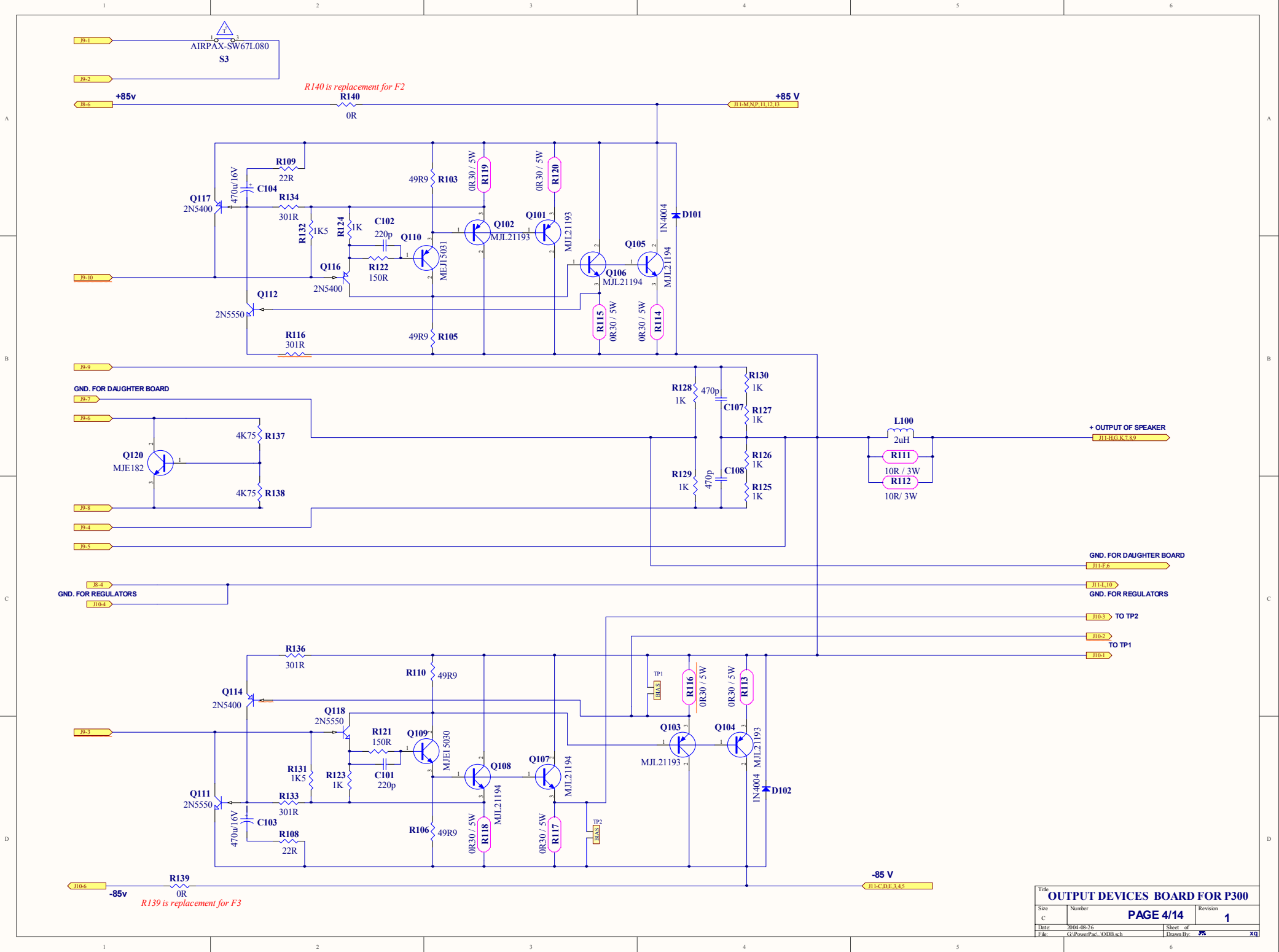


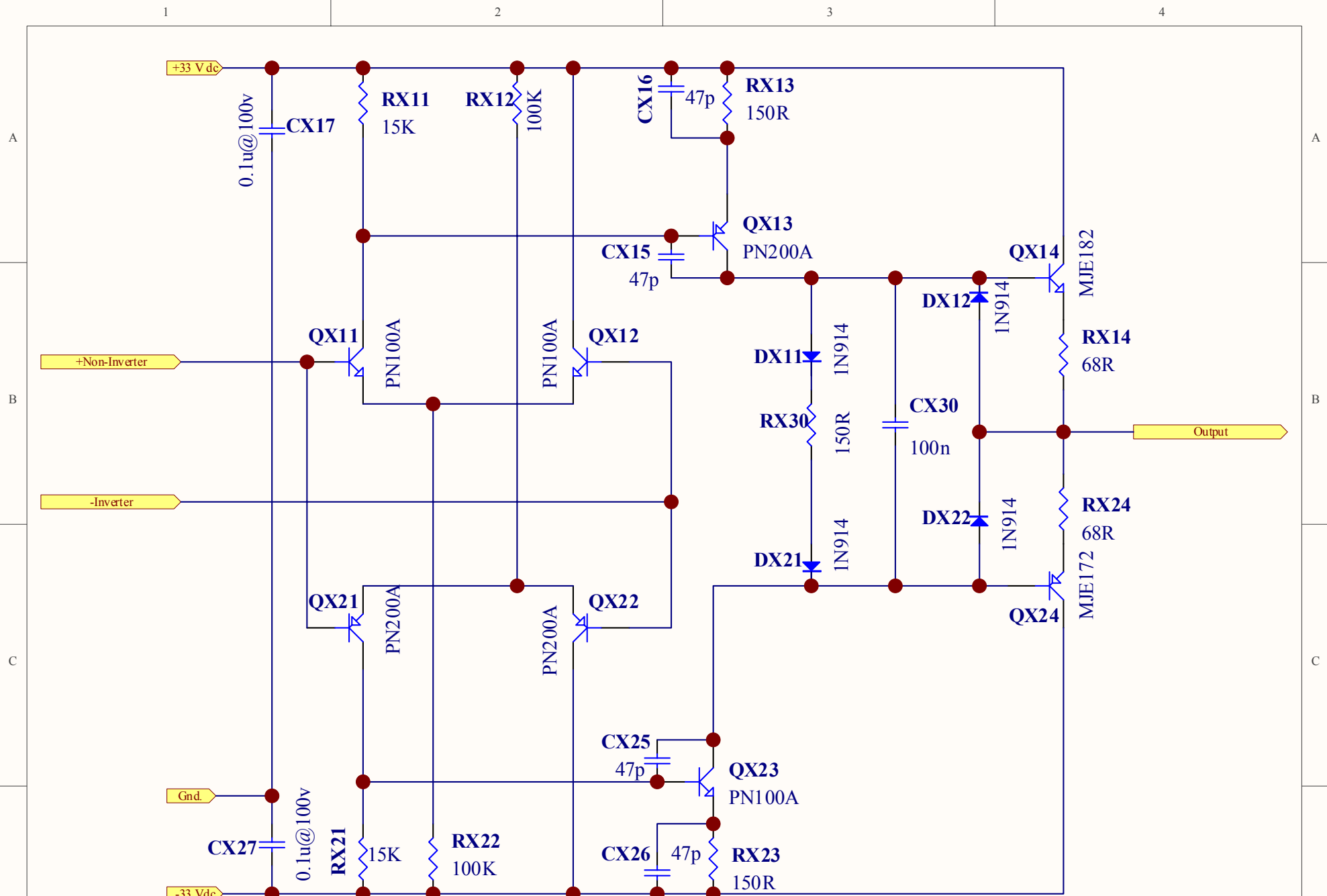


Title: DAUGHTER & REGULATOR BOARD FOR P250			
Size: C	Number: PAGE 7/13	Revision: 2	
Date: 21-Nov-2002	Sheet of: 13	Drawn by: [unintelligible]	
File: G:\PowerPac\PP250\Present\Protel\General\Knapido\Brd			



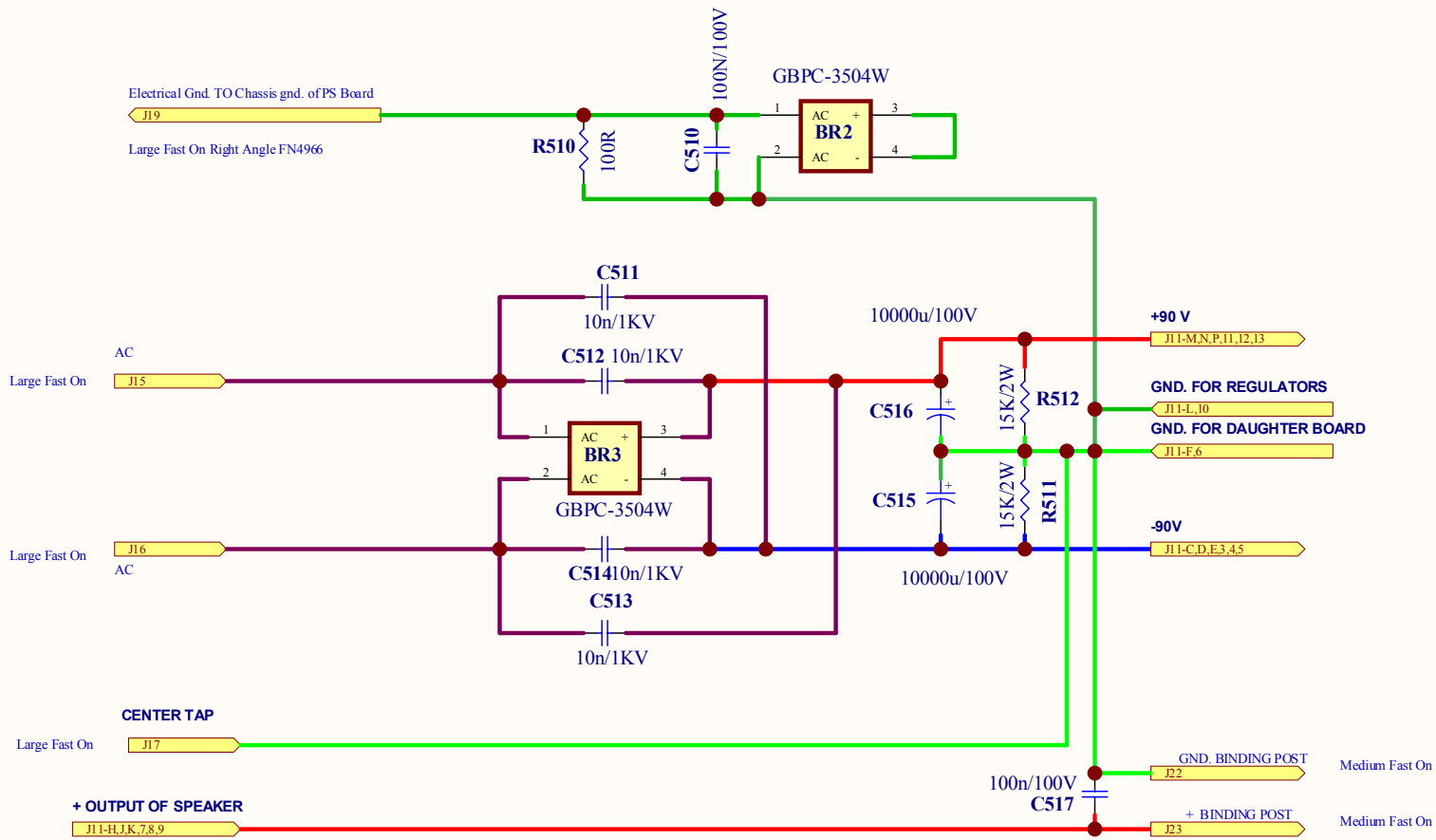
Title			
P250-INLET BOARD			
Size	Number	Revision	
B	PAGE 12/13	2	
Date:	29-Aug-2002	Sheet of	
File:	C:\PowerPac\PP250\Entire\Private\General\Str400741.DWG		



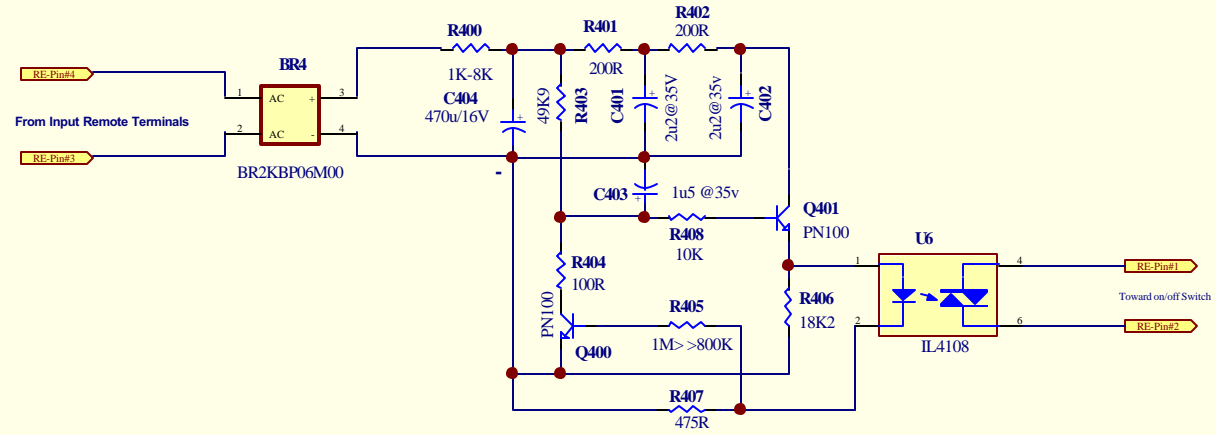


P 3/7/8 XX

Title DISCRETE OPAMP PP300-M2			
Size A	Number	PAGE 7/14	Revision 1
Date:	2004-06-10	Sheet of	
File:	G:\PowerPac\...\OP-DOA68.SCH	Drawn By:	xq

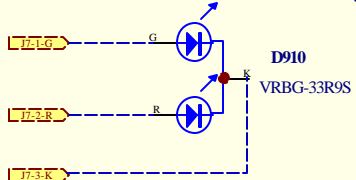


Title			
POWER SUPPLY BOARD P300			
Size	Number	Revision	
B	PAGE 12/14	1	
Date:	2004-06-10	Sheet of	
File:	G:\PowerPac\PSB.sch	Drawn By:	xy

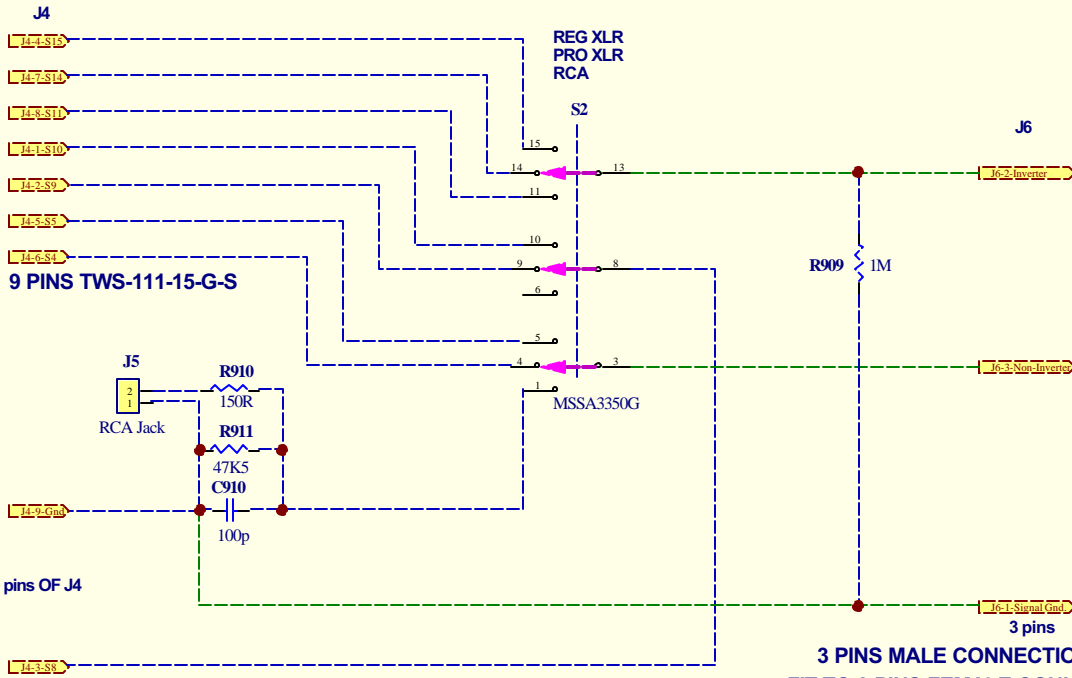


Title		P250-REM BOARD	
Size	Number	PAGE 11/13	Revision
B			2
Date:	29-AUG-2002	Sheet of	
File:	C:\Prover\Pa\PP250\Estimate\Private\General\Str4002.R411.D0B		

3 PINS MOLEX MALE CONNECTION (70543-0107)



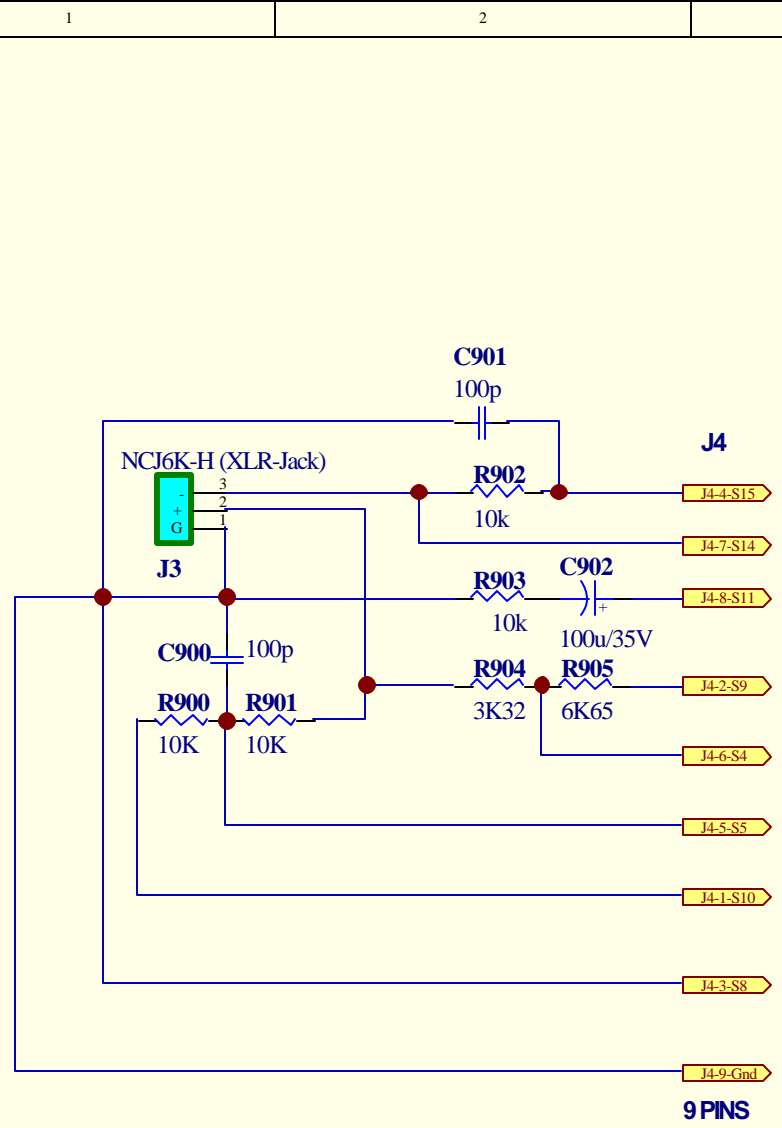
J7 3 pins



9 pins OF J4

**3 PINS MALE CONNECTION (70543-0107)
FIT TO 3 PINS FEMALE CONNECTION (50-57-9403)**

Title: RCA-INPUT-SW-LED BOARD FOR P250		
Size: B	Number: PAGE 4/13	Revision: 5 & 10
Date: 29-AUG-2002	Sheet of	
File: C:\PowerPac\PP250\Estimate\Private\General\SR1400-04-11.DWG		

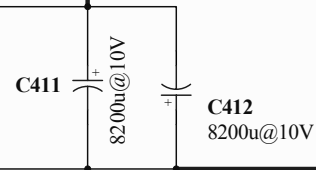
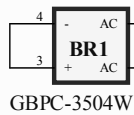


Title		
INPUT XLR BOARD FOR P250		
Size	Number	Revision
A	PAGE 5/13	2
Date:	29-Aug-2002	Sheet of
File:	G:\PowerPac\PP250\Future\Protel\GeneralSch\106550R1.DDB	

INLET-SSAF-NEUTRAL LINE

J21
Medium Fast on

AC GERMAN FILTER

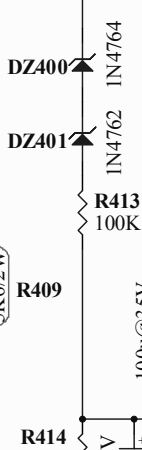
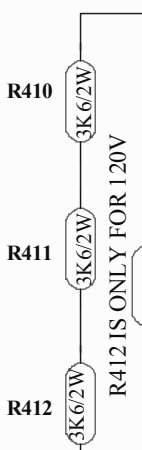


INLET-SSAF J11#2
Molex Double Pins Connector 705430001
INLET-SSAF J11#1

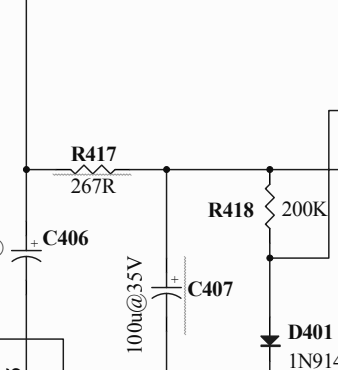
D400 1N4004

DZ400=0R FOR 120v
DZ401=1N4764 FOR 230v

R409 & R410 & R411 ARE ONLY FOR 230V
R412 IS ONLY FOR 120V

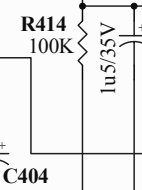


R416 1K5 for 120V or 3K for 240V / 2W
R413 100K
R414 100K

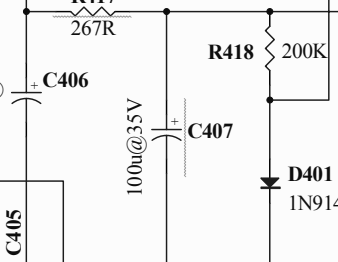


INLET-SSAF-HOT LINE
J20
Medium Fast on

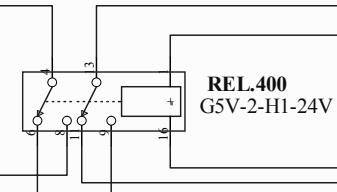
DZ402 1N4752
C404 100u@35V



R415 18K2
C406 100u@35V
C407 100u@35V

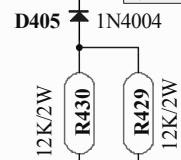


D402 1N4004
R419 200K



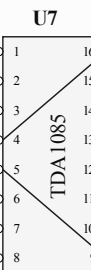
D406 1N4004

Neutral for Primary of TX J14
Medium Fast ON



JUMPER FOR 120V ONLY
R427 5K6/2W
R428 3K6/2W
OR

Hot Line Load for TX
J13
Medium Fast ON



C408 10n

R420 301K

R421 267K

R422 475K

R423 475R

R424 49R9

R425 22R

D404 1N4004

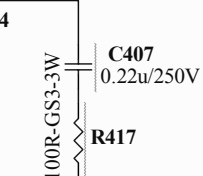
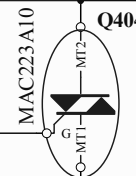
DZ404 1N4733

Q402 PN100A

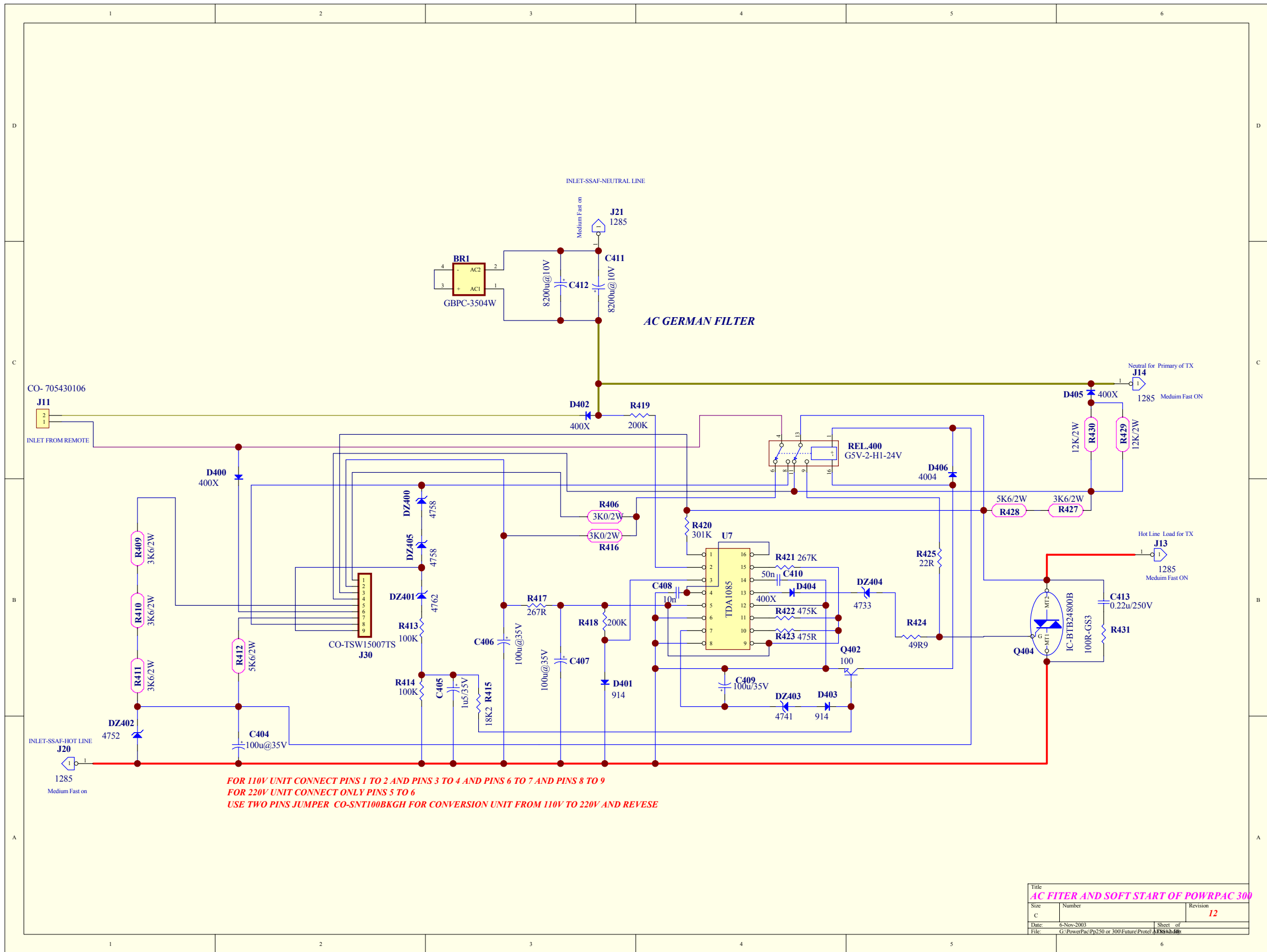
C409 100u@35V

DZ403 1N4741

D403 1N914



Title P250- SOFT START AC FILTER BOARD			
Size B	Number DESIGNED BY: ETHAN PAGE 13/13	Revision 2 & 11	
Date: 2004-07-30	DEVELOPED BY: FARZAD		Sheet of
File: G:\PowerPac\..P250-SSAF-R2.sch	Drawn By: FX		xq



FOR 110V UNIT CONNECT PINS 1 TO 2 AND PINS 3 TO 4 AND PINS 6 TO 7 AND PINS 8 TO 9
 FOR 220V UNIT CONNECT ONLY PINS 5 TO 6
 USE TWO PINS JUMPER CO-SNT100BKGH FOR CONVERSION UNIT FROM 110V TO 220V AND REVERSE

Title		
AC FILTER AND SOFT START OF POWPAC 300		
Size	Number	Revision
C		12
Date	6-Nov-2003	Sheet of
File	G:\PowerPac\Pr250 or 300\Future\Protel	12