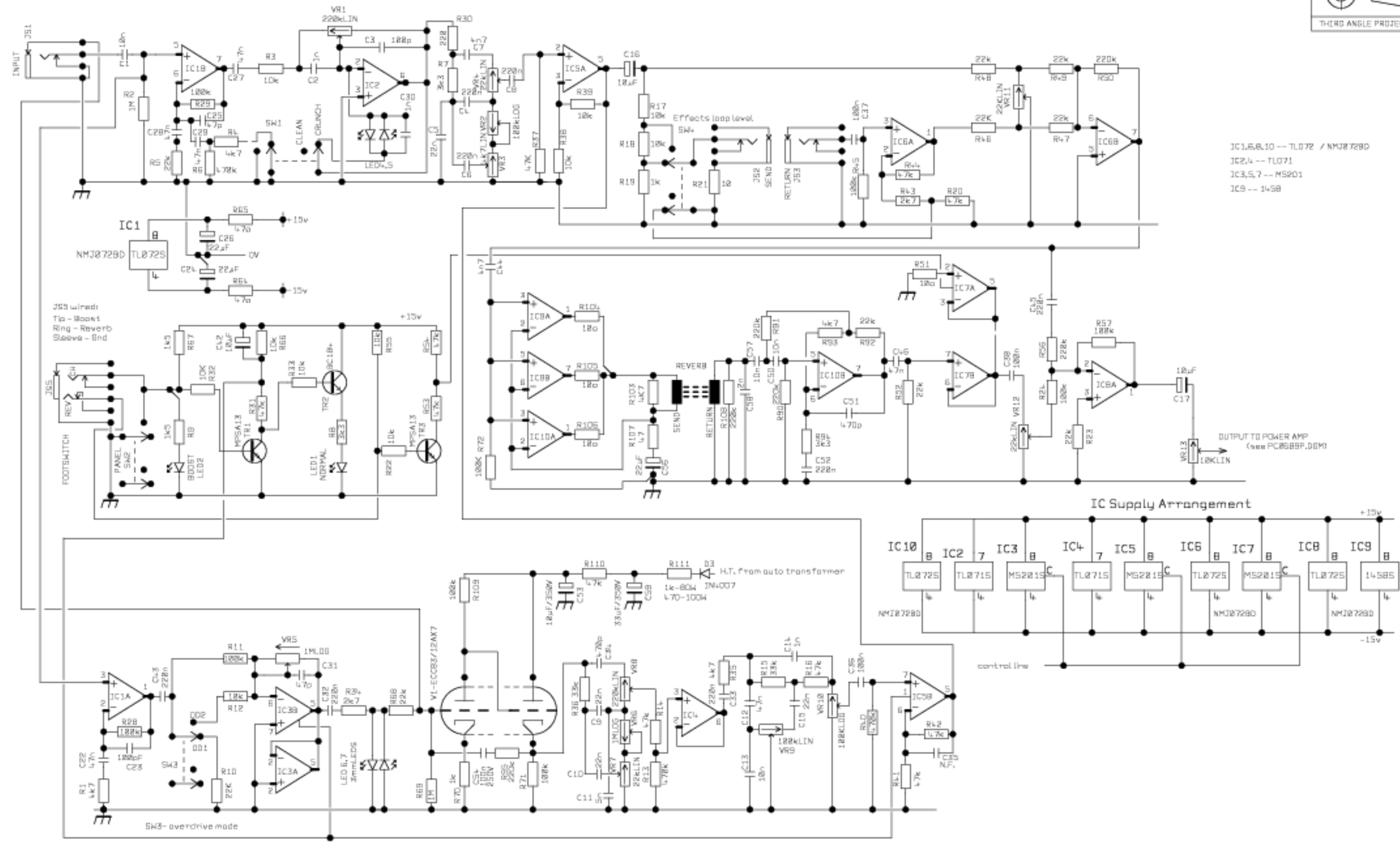
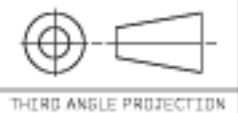
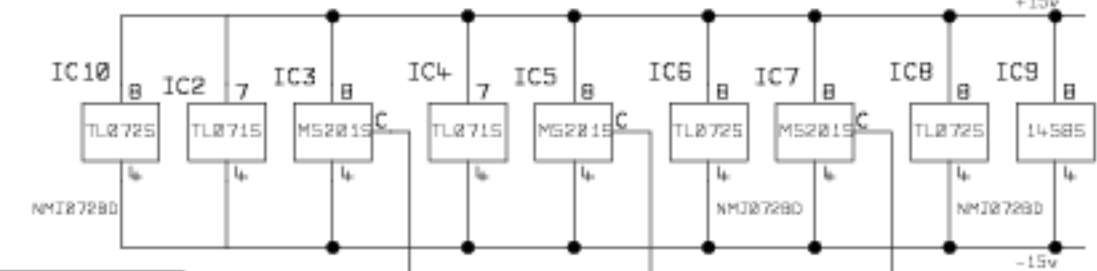


DWG.No. PC0689.DGM



IC1,6,8,10 -- TL072 / NJM729D
 IC2,4 -- TL071
 IC3,5,7 -- MS201
 IC9 -- 14585

IC Supply Arrangement



5	0600	28/04/94
4	0451	23/02/94
ISS	ECO NUMBER	DATE

UNSPECIFIED HOLE DATA	
A	H
B	J
C	K
D	L
E	M
F	N
G	P

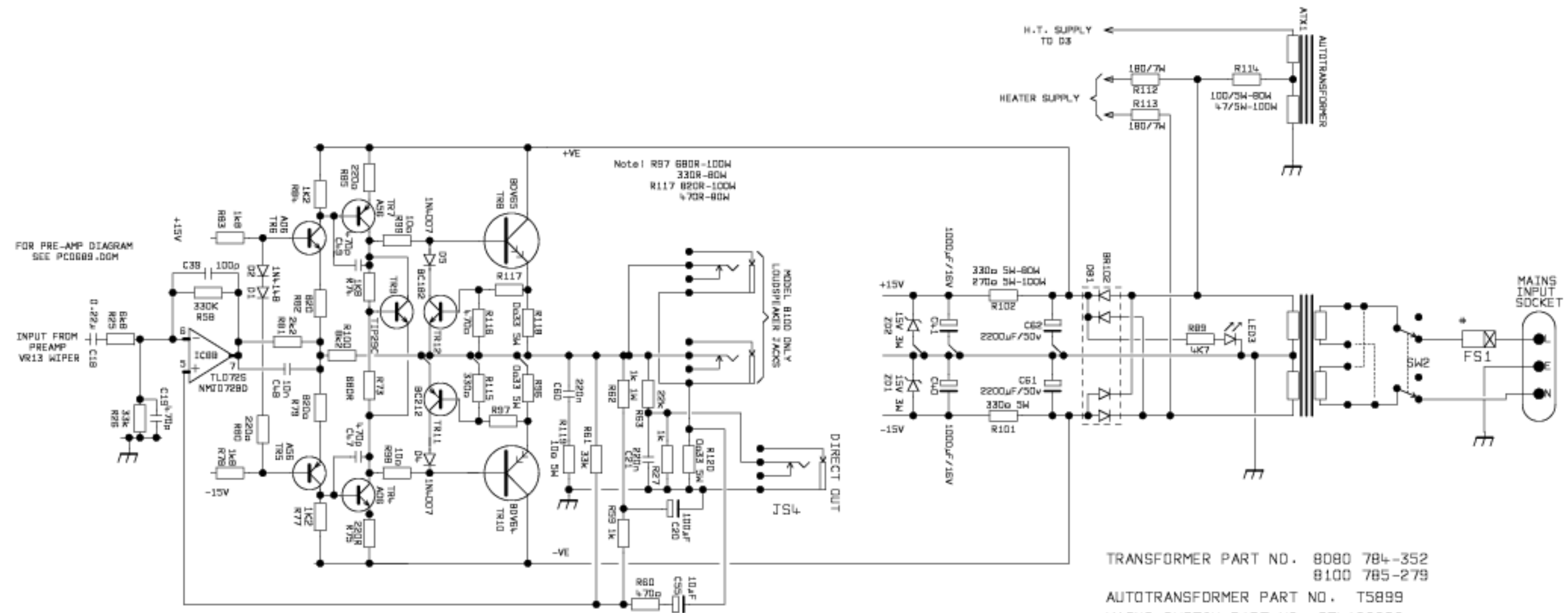
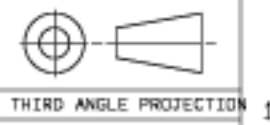
MATERIAL	
MATERIAL THICKNESS	
INTERNAL BEND RADIUS	
EXTERNAL R/A	
BEND DIE	
ANGULAR	
DRAWN	S.G
DATE	11/06/91
CHECKED	DATE
APPROVED	DATE

DIMENSIONS IN	
TOLERANCE (UNLESS OTHERWISE STATED)	
DIMENSIONAL	
CENTRES	
ANGULAR	
MODEL	8000/0100 VALVE STATE



TITLE	
CCT DIAGRAM	
DWG.No	PC0689.DGM
ISSUE	5

DWG.No . PC0689P .DGM



Note! R87 680R-100W
R117 820R-100W
R118 470R-80W

TRANSFORMER PART NO. 8080 784-352
8100 785-279
AUTOTRANSFORMER PART NO. T5899
MAINS SWITCH PART NO. IT4100200
* FUSES: T1A -230V
T2A -120V

For continued protection against fire,
replace primary fuse only with same type and rating.

9	0451	07/03/94	UNSPECIFIED HOLE DATA			MATERIAL		DIMENSIONS IN		<p>COPYRIGHT EXISTS ON THIS DOCUMENT-IT MUST NOT BE USED FOR ANY PURPOSE THAN THAT FOR WHICH IT IS SUPPLIED AND MUST NOT BE COPIED IN WHOLE OR IN PART WITHOUT WRITTEN PERMISSION FROM © JJB MARSHALL (PRODUCTS) LTD. DENBIGH ROAD, BLITCHLEY, MILTON KEYNES, MK1 10G. TEL 1200310754-11 FAX 120031076110</p>	TITLE	DWG.No PC0689P.DGM ISSUE 9
8	0479	18/1/94	A	H	MATERIAL THICKNESS		TOLERANCE (UNLESS OTHERWISE STATED)		8080/8100		CCT DIAGRAM	
7	0442	28/10/93	B	J	INTERNAL BEND RADIUS		DIMENSIONAL					
6	0393	08/09/93	C	K	EXTERNAL S/A		CENTRE					
5	0247	03/07/92	D	L	BEND DIA		ANGULAR					
4	0200	02/04/92	E	M	DRAWN T.F.	DATE 03/04/92	MODEL					
3	0110	02/01/92	F	N	CHECKED	DATE						
ISS	ECO NUMBER	DATE	G	P	APPROVED	DATE						