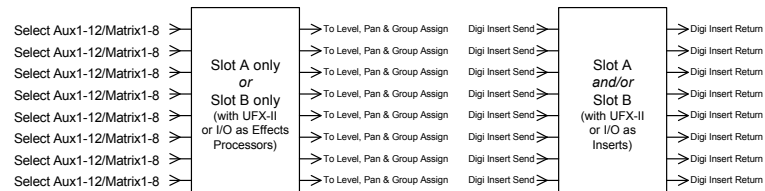
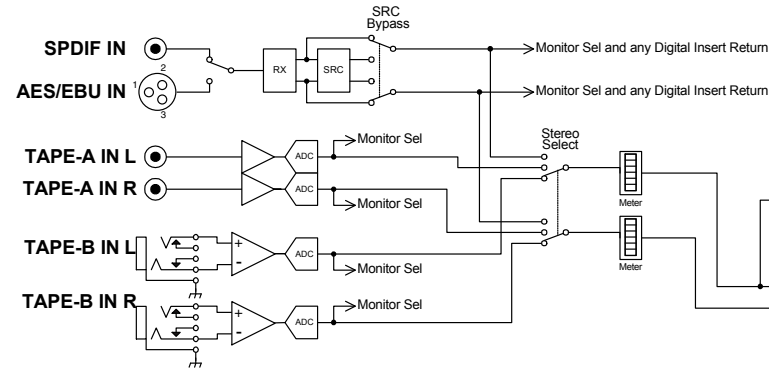
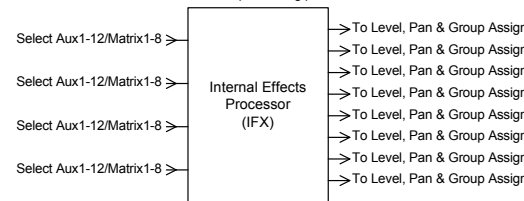
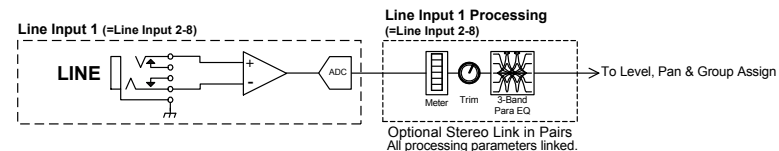
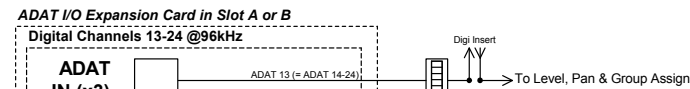
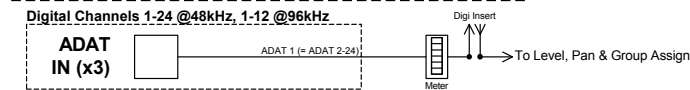
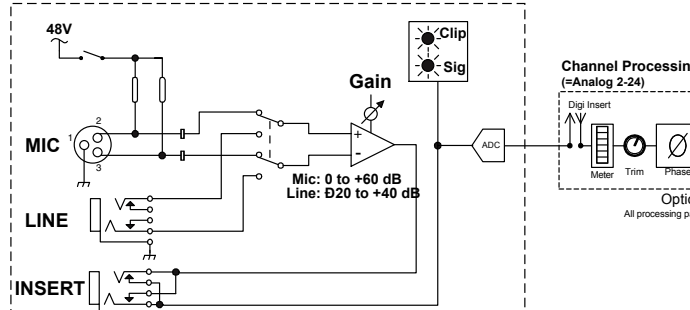
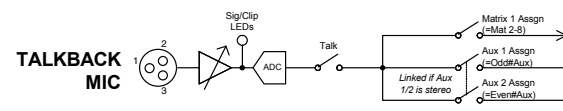


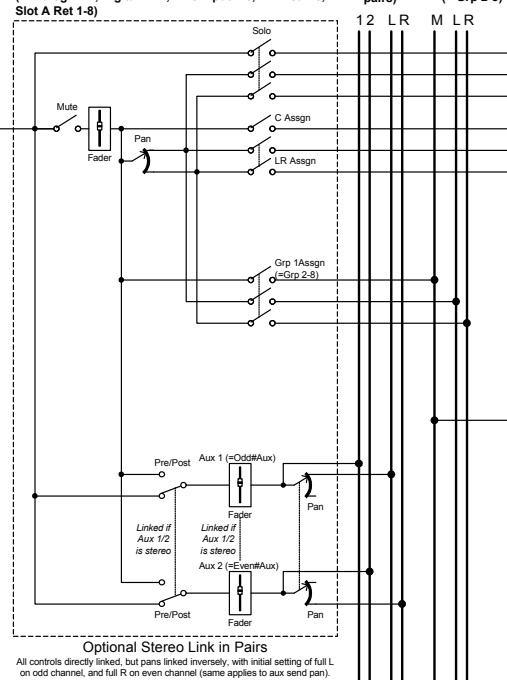
**Analog Channels 1-24**



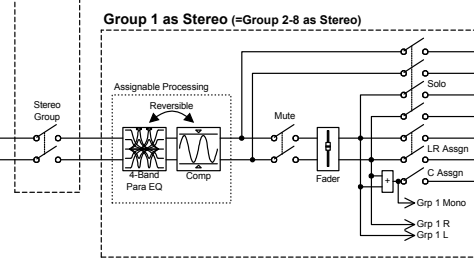
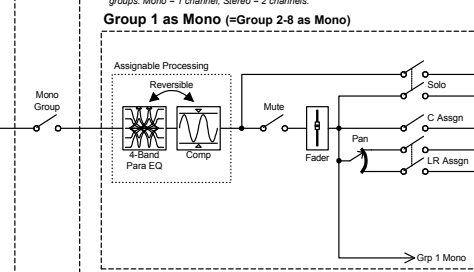
Note: There are only 2 expansion Slots: Slot A and Slot B. UP to 2 network cards installed (max 1 as network, max 1 as console linker), maximum of 1 UFX-II card or I/O card configured for effects returns, maximum of 1 ADAT card installed as 96kHz digital channels 13-24. Up to 2 UFX-II or I/O cards configured for inserts.



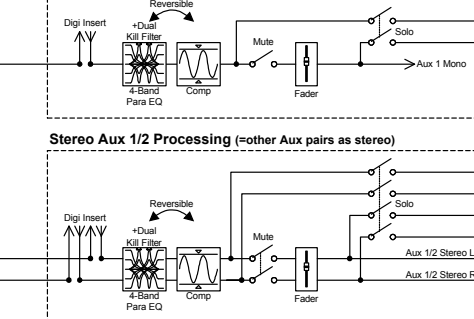
**Channel 1 Level, Pan & Group Assign**  
(=Analog 1-24, Digital 1-24, Line input 1-8, IFX Ret 1-8, Slot A Ret 1-8)



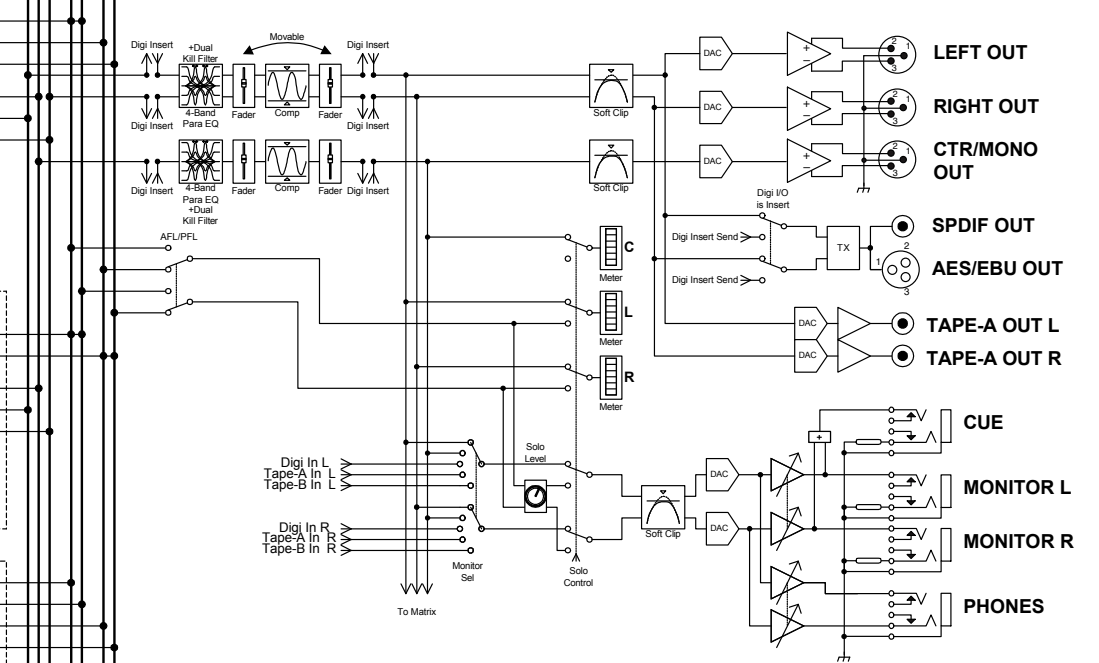
Grp 1 Type (=Grp 2-8)  
Note: A maximum of 8 channels of processing can be assigned at once across all groups. Mono = 1 channel, Stereo = 2 channels.



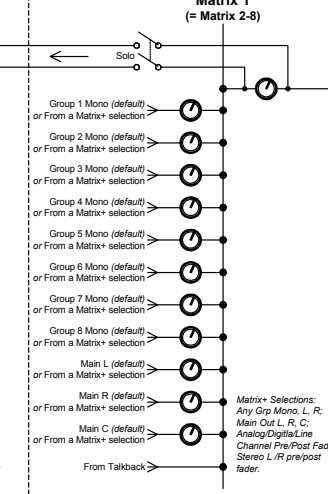
Mono Aux 1 Processing (=Aux 2-8)  
Note: Only one Aux channel (mono or stereo) can be applied at a time.



**Main Out**  
PFL Solo  
AFL Solo

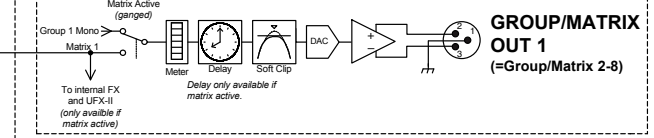


**Matrix Channel 1 (=Matrix 2-8)**

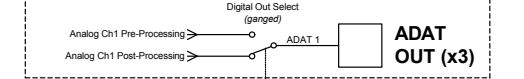


Note: Matrix only available when activate.

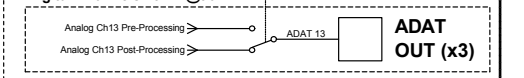
**Group/Matrix Out 1 (=Group/Matrix Out 2-8)**



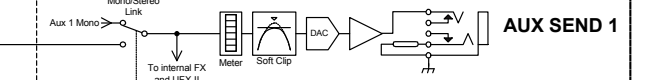
**Digital Channels 1-24 @48kHz, 1-12 @96kHz**



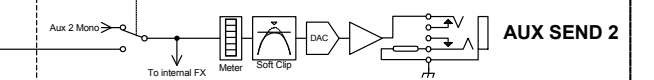
**ADAT I/O Expansion Card in Slot A or B**



**Aux Send 1 (=Odd#Aux Send 3,5,7,9,11)**



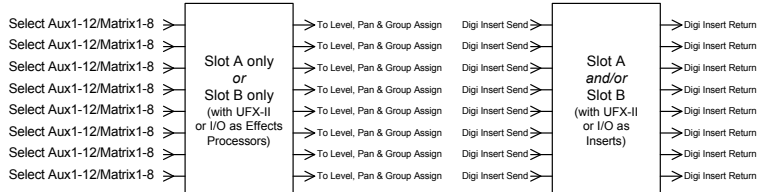
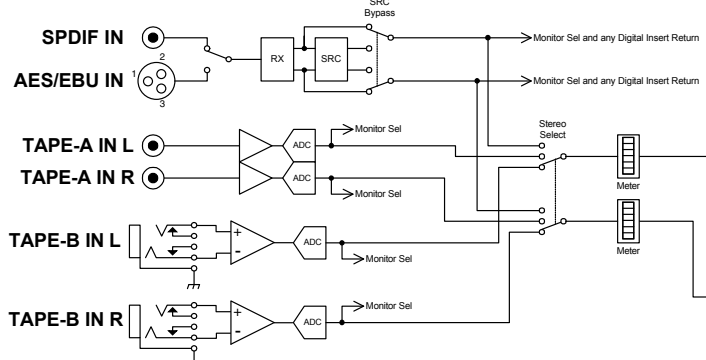
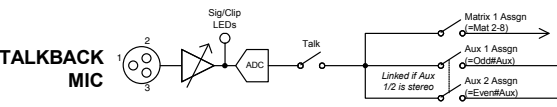
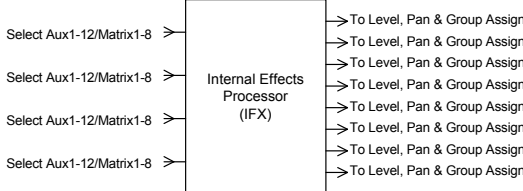
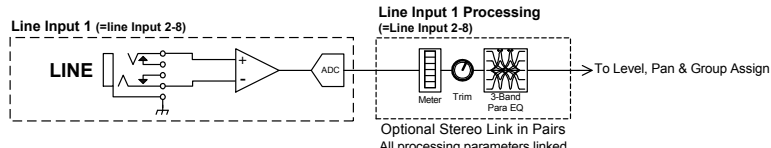
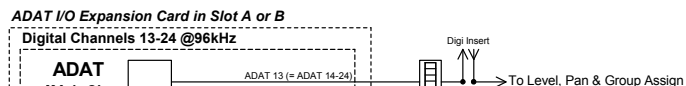
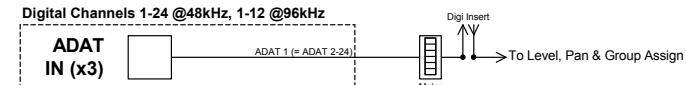
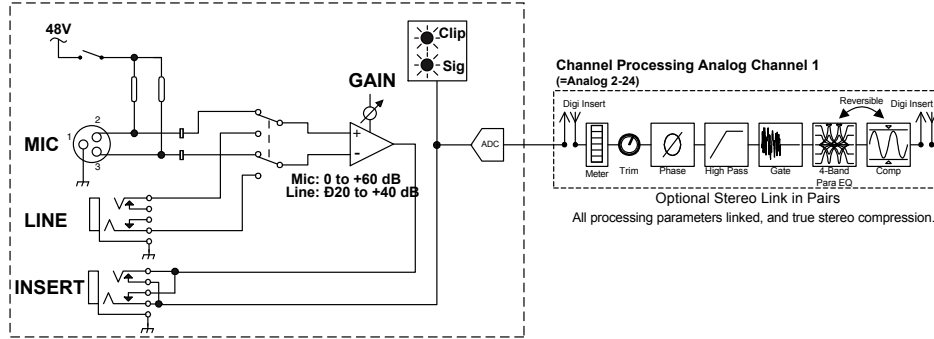
**Aux Send 2 (=Even#Aux Send 4,6,8,10,12)**



MACKIE  
TT24: STEREO+MONO MODE  
BLOCK DIAGRAM  
(#070604\_GJ/DF)

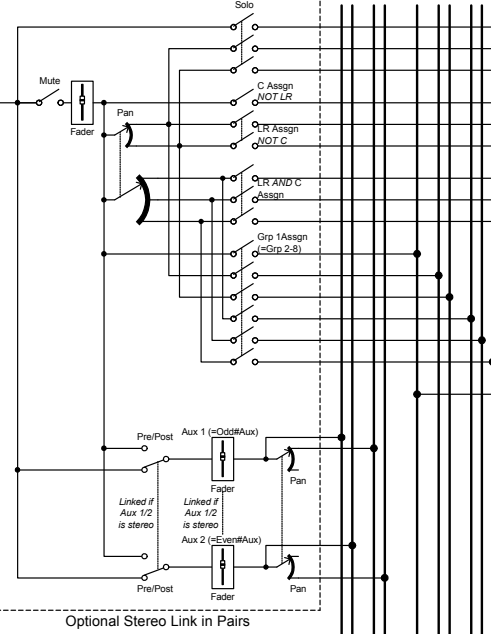
MACKIE TT24 BLOCK DIAGRAM  
COPYRIGHT 2004, LOUD TECHNOLOGIES INC.  
ALL RIGHTS RESERVED

**Analog Channels 1-24**



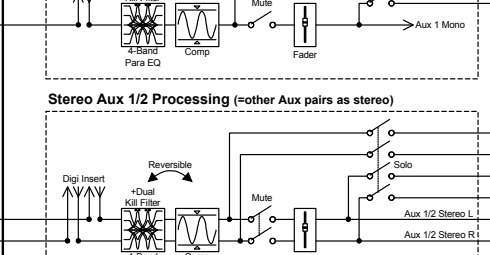
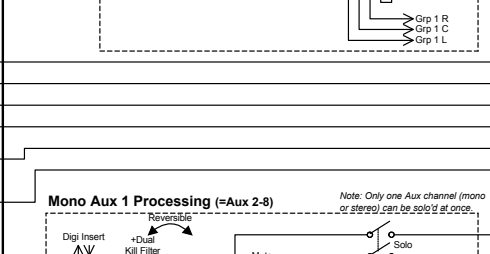
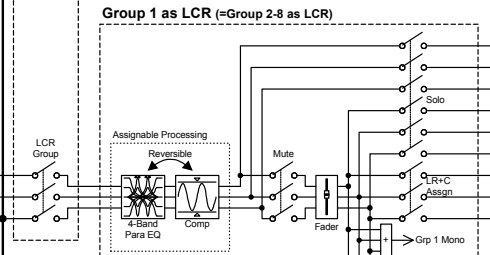
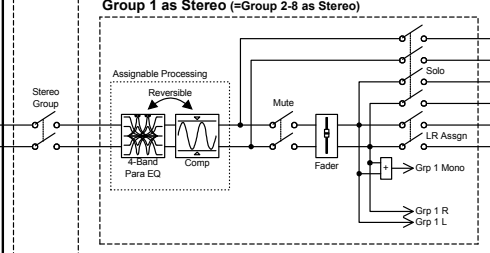
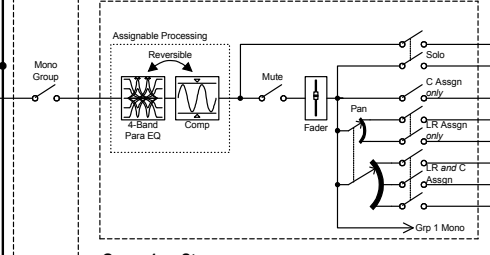
Note: There are only 2 expansion Slots: Slot A and Slot B. UP to 2 network cards installed (max 1 as network, max 1 as console linker), maximum of 1 UFX-II card or I/O card configured for effects returns, maximum of 1 ADAT card installed as 96kHz digital channels 13-24. Up to 2 UFX-II or I/O cards configured for inserts.

**Channel 1 Level, Pan & Group Assign (=Analog 1-24, Digital 1-24, Line Input 1-8, IFX Ret 1-8, Slot A Ret 1-8)**

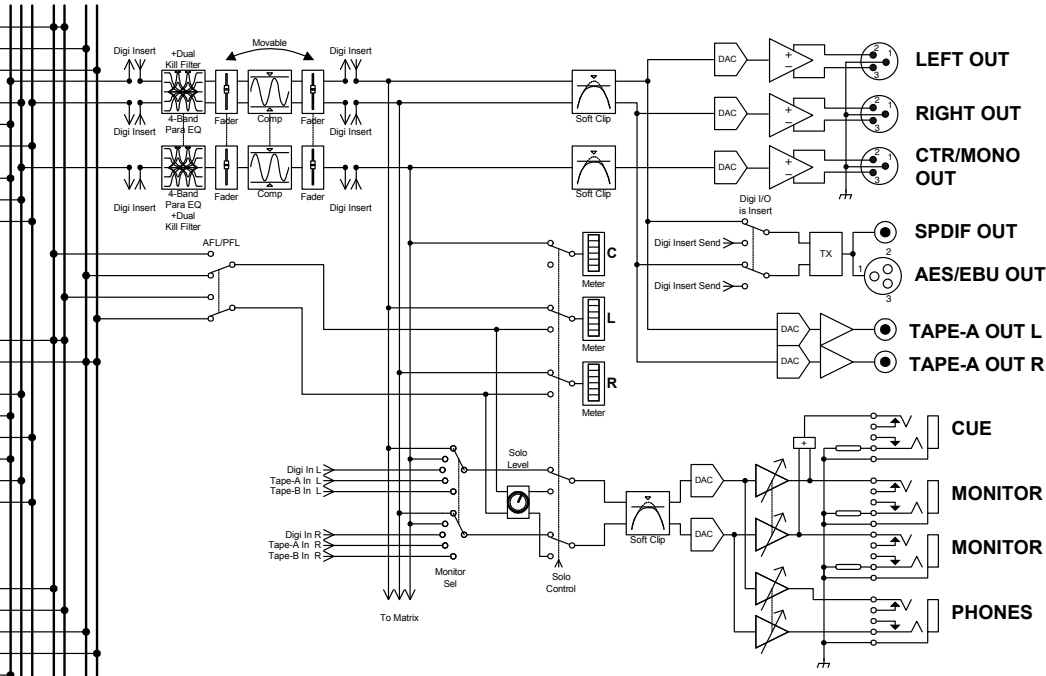


**Grp 1 Type (=Grp 2-8)**

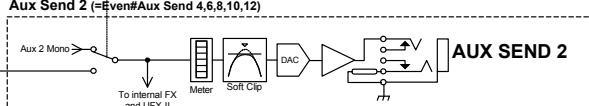
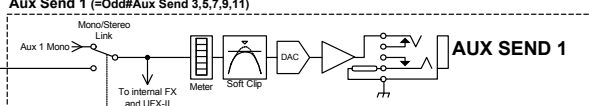
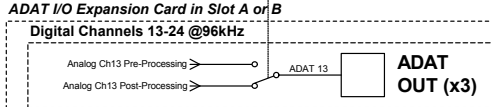
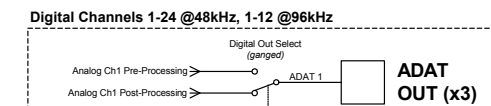
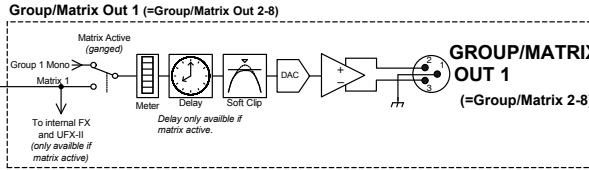
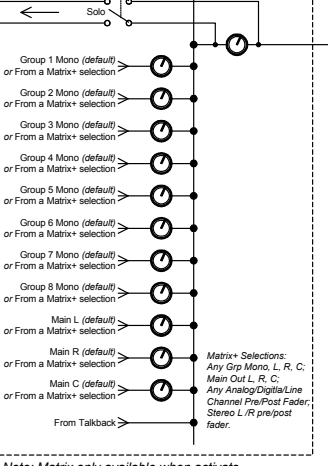
Note: A maximum of 8 channels of processing can be assigned at once across all groups. Mono = 1 channel, Stereo = 2 channels, LCR = 3 channels.



**Main Out**



**Matrix Channel 1 (=Matrix 2-8)**



MACKIE  
 TT24: LCR MODE  
 BLOCK DIAGRAM  
 (#070604\_GJ/DF)

MACKIE TT24 BLOCK DIAGRAM  
 COPYRIGHT 2004, LOUD TECHNOLOGIES INC.  
 ALL RIGHTS RESERVED