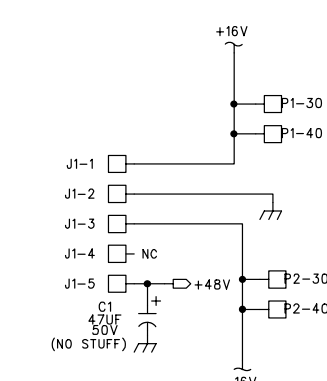
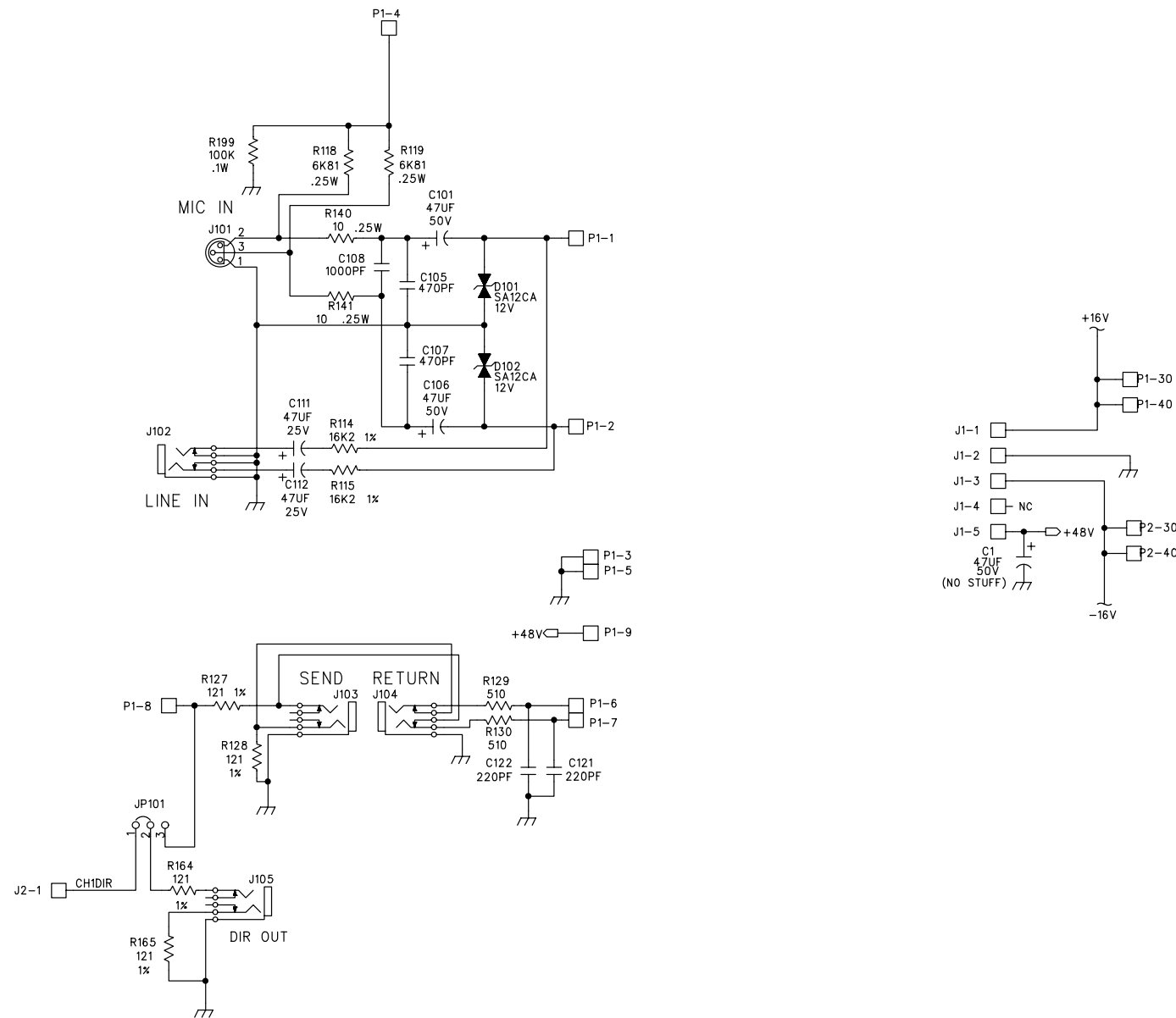
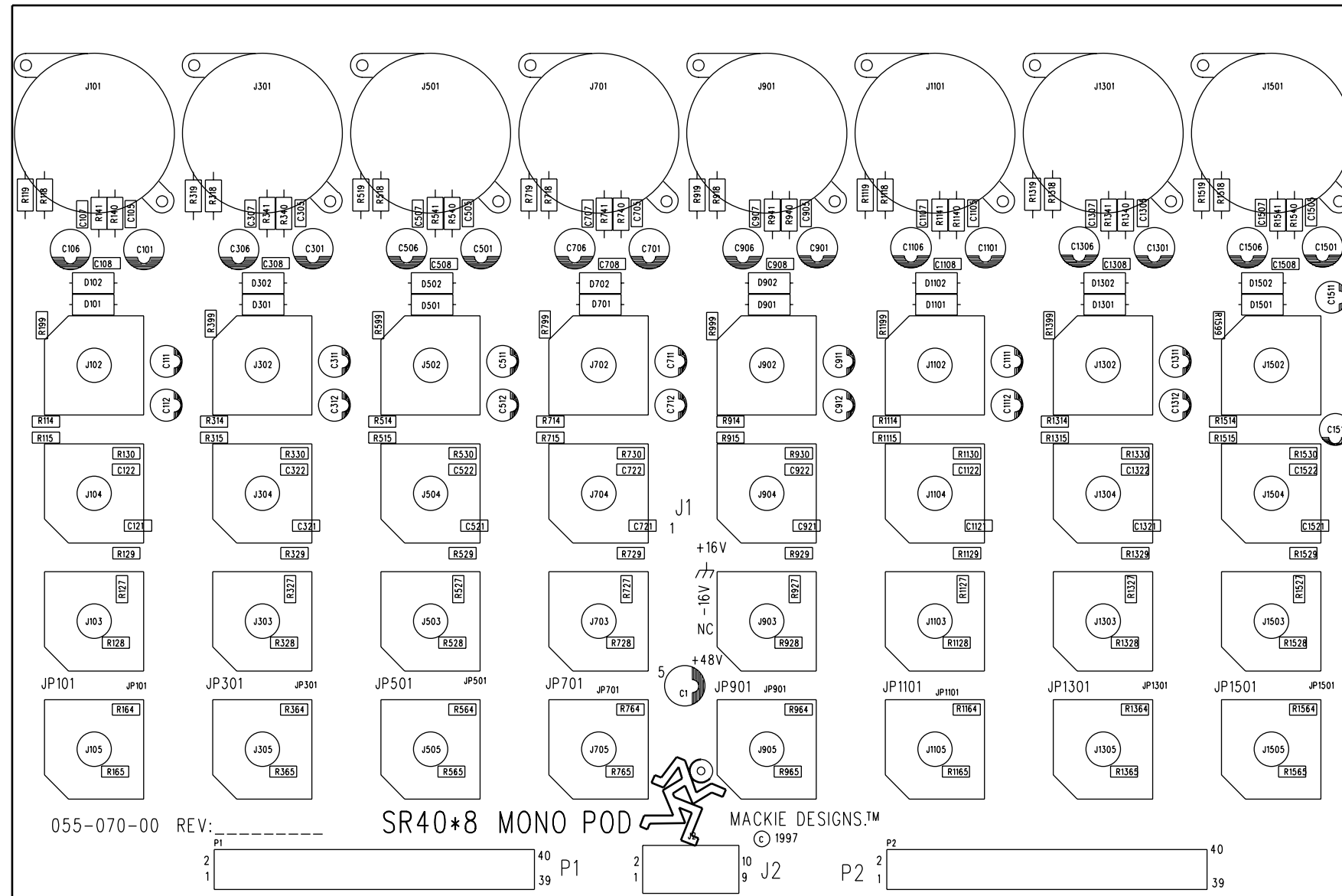


DWG. NO:	990-070-00	SHT	1	REV:	B	1
ECO#	REV:	DESCRIPTION	REV. BY:	APP. BY:	DATE	
1096	B	CORRECTED DEMINIONS ON D&T DRWG	DD			
1231		CHANGED TO BI-DIRECTIONAL DIODES				



450-070-00
PCB, MONO POD, SR40•8

UNLESS OTHERWISE SPECIFIED DIMENSIONS ARE IN INCHES TOLERANCES ARE: FRACTIONS: .XX ±.01 ±.02 DECIMALS: .XXX ±.005 ANGLES: ±NA ±.01 ±.02 MATERIAL: SEE NOTES FINISH: SEE NOTES DO NOT SCALE DRAWING	APPROVALS	DATE	MACKIE. Mackie Designs Inc. Woodinville, Wa.		
	DRAWN: DMD	4-15-97			
	CHECKED: CAL PERKINS	9/9/96			
	NP ENG:				
MATERIAL: MS	9/9/96	SCHEMATIC, SR40•8 CHANNEL1, MONO POD BRD			
MFG: RICH R.	9/9/96				
MFG ENG:		SIZE: D	SCALE: NONE	DWG. NO: 990-070-00	REV. B
ISSUED: LEIGH	9/9/96	DWG FILE:			SHEET 1 OF 8



P1
CONNECTS TO CHANNEL PCB J1
40 PIN CABLE 040-093-

CH 1 IN +	1	2	CH 1 IN -
CH 1 GROUND	3	4	CH 1 PHANTOM
CH 1 RETURN +	5	6	CH 1 RETURN -
CH 1 RETURN -	7	8	CH 1 SEND
CH 1 48V	9	10	CH 1 GROUND
CH 2 IN +	11	12	CH 2 IN -
CH 2 GROUND	13	14	CH 2 PHANTOM
CH 2 RETURN +	15	16	CH 2 RETURN -
CH 2 RETURN -	17	18	CH 2 SEND
CH 2 48V	19	20	CH 2 GROUND
CH 3 IN +	21	22	CH 3 IN -
CH 3 GROUND	23	24	CH 3 PHANTOM
CH 3 RETURN +	25	26	CH 3 RETURN -
CH 3 RETURN -	27	28	CH 3 SEND
CH 3 48V	29	30	POS 16V
CH 4 IN +	31	32	CH 4 IN -
CH 4 GROUND	33	34	CH 4 PHANTOM
CH 4 RETURN +	35	36	CH 4 RETURN -
CH 4 RETURN -	37	38	CH 4 SEND
CH 4 48V	39	40	POS 16V

J2
CONNECTS TO CHANNEL PCB J8
10 PIN CABLE 040-102-

CH 1 DIR	1	2	CH 2 DIR
CH 3 DIR	3	4	CH 4 DIR
CH 5 DIR	5	6	CH 6 DIR
CH 7 DIR	7	8	CH 8 DIR
NC	9	10	NC

P2
CONNECTS TO CHANNEL PCB J2
40 PIN CABLE 040-093-

CH 5 IN +	1	2	CH 5 IN -
CH 5 GROUND	3	4	CH 5 PHANTOM
CH 5 RETURN +	5	6	CH 5 RETURN -
CH 5 RETURN -	7	8	CH 5 SEND
CH 5 48V	9	10	CH 5 GROUND
CH 6 IN +	11	12	CH 6 IN -
CH 6 GROUND	13	14	CH 6 PHANTOM
CH 6 RETURN +	15	16	CH 6 RETURN -
CH 6 RETURN -	17	18	CH 6 SEND
CH 6 48V	19	20	CH 6 GROUND
CH 7 IN +	21	22	CH 7 IN -
CH 7 GROUND	23	24	CH 7 PHANTOM
CH 7 RETURN +	25	26	CH 7 RETURN -
CH 7 RETURN -	27	28	CH 7 SEND
CH 7 48V	29	30	NEG 16V
CH 8 IN +	31	32	CH 8 IN -
CH 8 GROUND	33	34	CH 8 PHANTOM
CH 8 RETURN +	35	36	CH 8 RETURN -
CH 8 RETURN -	37	38	CH 8 SEND
CH 8 48V	39	40	NEG 16V