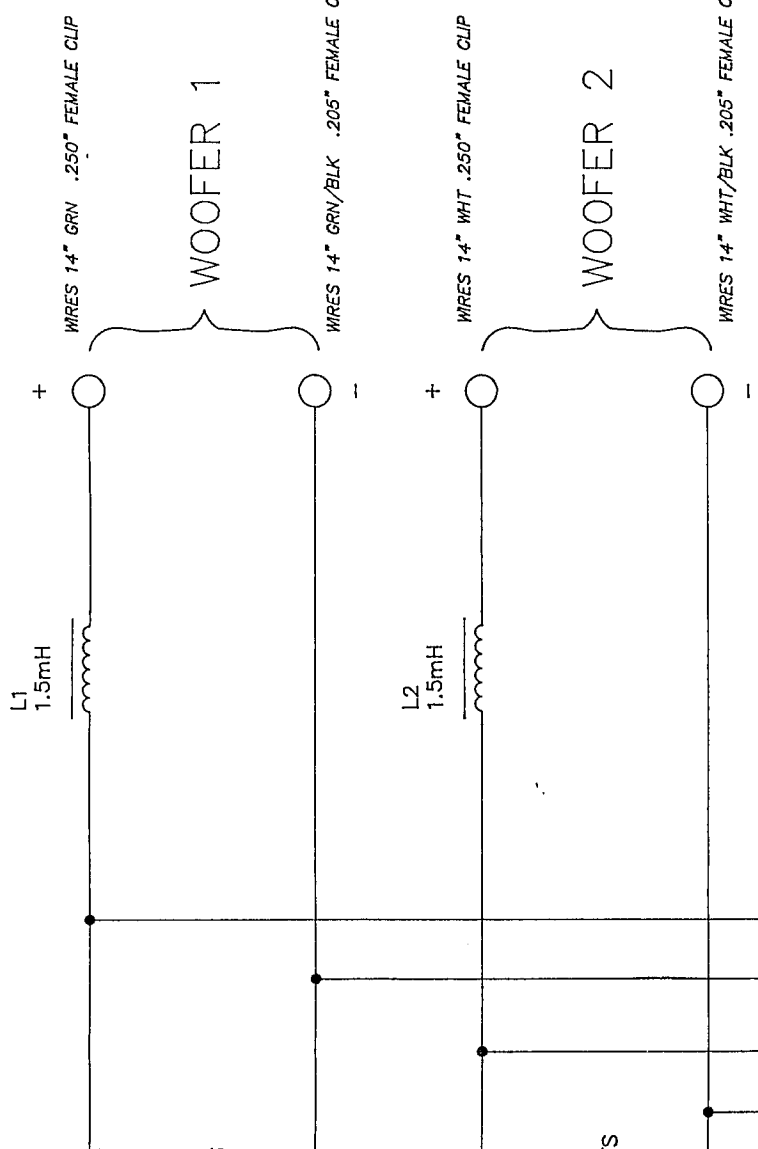


REVISIONS			
ECO	REV.	DESCRIPTION	DATE
-	A	RELEASE FOR PRODUCTION	03-11-92
998	B	CHG WIRE COLORS	03-13-92



WIRES 14" GRN .250" FEMALE CLIP

WOOFER 1

WIRES 14" GRN/BLK .205" FEMALE CLIP

WIRES 14" WHT .250" FEMALE CLIP

WOOFER 2

WIRES 14" WHT/BLK .205" FEMALE CLIP

Bill of Material  
03-11-92

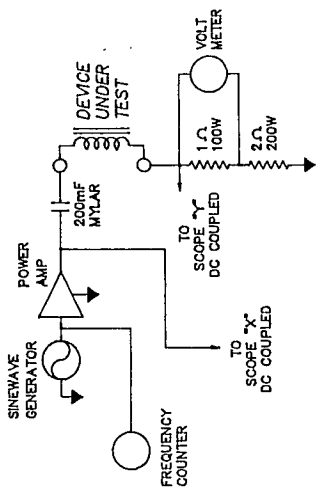
Inductors	Ref. Value	Tol%	Amps <sup>Ⓞ</sup>	DCR	DQØlk	Type	Air Gap	Material	Size
L1	1.50 <sup>Ⓞ</sup>	10	-	.39	13	I	-	STEEL LAM	41x6x7mm
L2	1.50 <sup>Ⓞ</sup>	10	-	.39	13	I	-	STEEL LAM	41x6x7mm

WIRES: 18 GA.  
CLIPS: SEE LEFT  
INPUTS: TECATE, MPT-3G-SW DR ENG.  
APPV'D EQUIVALENT.

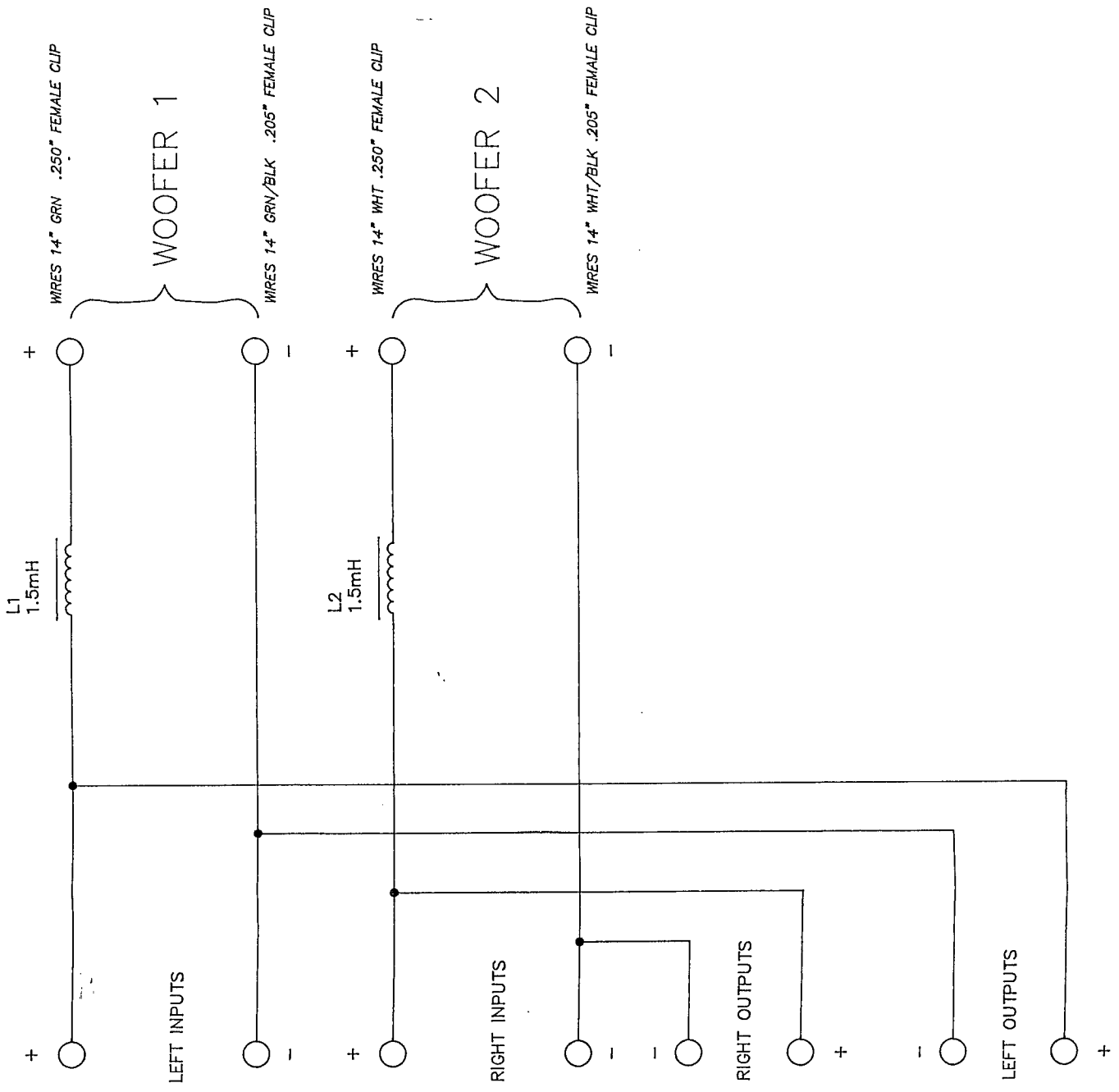
**INFINITY SYSTEMS, INC. PROPRIETARY**  
This document contains confidential and proprietary information that is the property of Infinity Systems, Inc. and may not be disclosed to or duplicated for others except as authorized by Infinity Systems, Inc.

JUN 29 1992

- Ⓞ GenRad DigiBridge @1kHz.
- Ⓞ DC amps where Inductance changes by 10%.
- Ⓞ Test set-up as shown:



**Infinity Systems Inc.**  
**MICRO II SBWFR**  
SCHEMATIC  
P/N: .015-.5848  
DWG NO: 015-5848-01431-36G  
DRAWN BY: R. RAHL | DATE: 01-24-92  
APPROVED: M.G. 03-11-92 | SCALE: N/A  
**REVISION: B** | PAGE 1 OF 1



WOOFER 1

WOOFER 2

LEFT INPUTS

RIGHT INPUTS

RIGHT OUTPUTS

LEFT OUTPUTS