

GENATA™

Service

42		05-5916	761697	
LINE PART NUMBER	LOCATIONS	QTY/QTE	ICST#	PAGE
LIGNE NUMERO DE PIECE	MC -18E-07-00-02	1	RRJ	01
2	S3208208			

32-8208

STEREO SOUND MIXER WITH TONE CONTROLS

Cat. No. 32-8208

CONTENTS

	page
Specification	2
Block Diagram	3
Circuit Description	4
Troubleshooting	5
PCB Views	6
Electrical Parts List	7
Exploded View	13
IC Lead Identification	15
Voltage Chart	16
Schematic Diagram	17

SPECIFICATIONS

Input Sensitivity/Impedance:

MIC	3mV / 600 ohms
MIC 1,2	3mV / 600 ohms
PHONO 1,2	3mV / 50k ohms
CD 1,2	150mV / 50k ohms
VIDEO	150mV / 50k ohms
LINE	150mV / 50k ohms

Output Level:

MASTER	RATED: 1.5V
	MAX : 6V
RECORD	RATED: 0.775V
	MAX : 5V
PHONES	RATED: 0.075V
	MAX : 0.225V
	(AT LOAD 8 ohms)

Tone Control:

BASS / 100Hz	±12 dB
TREBLE / 10kHz	±12 dB

S/N Ratio:

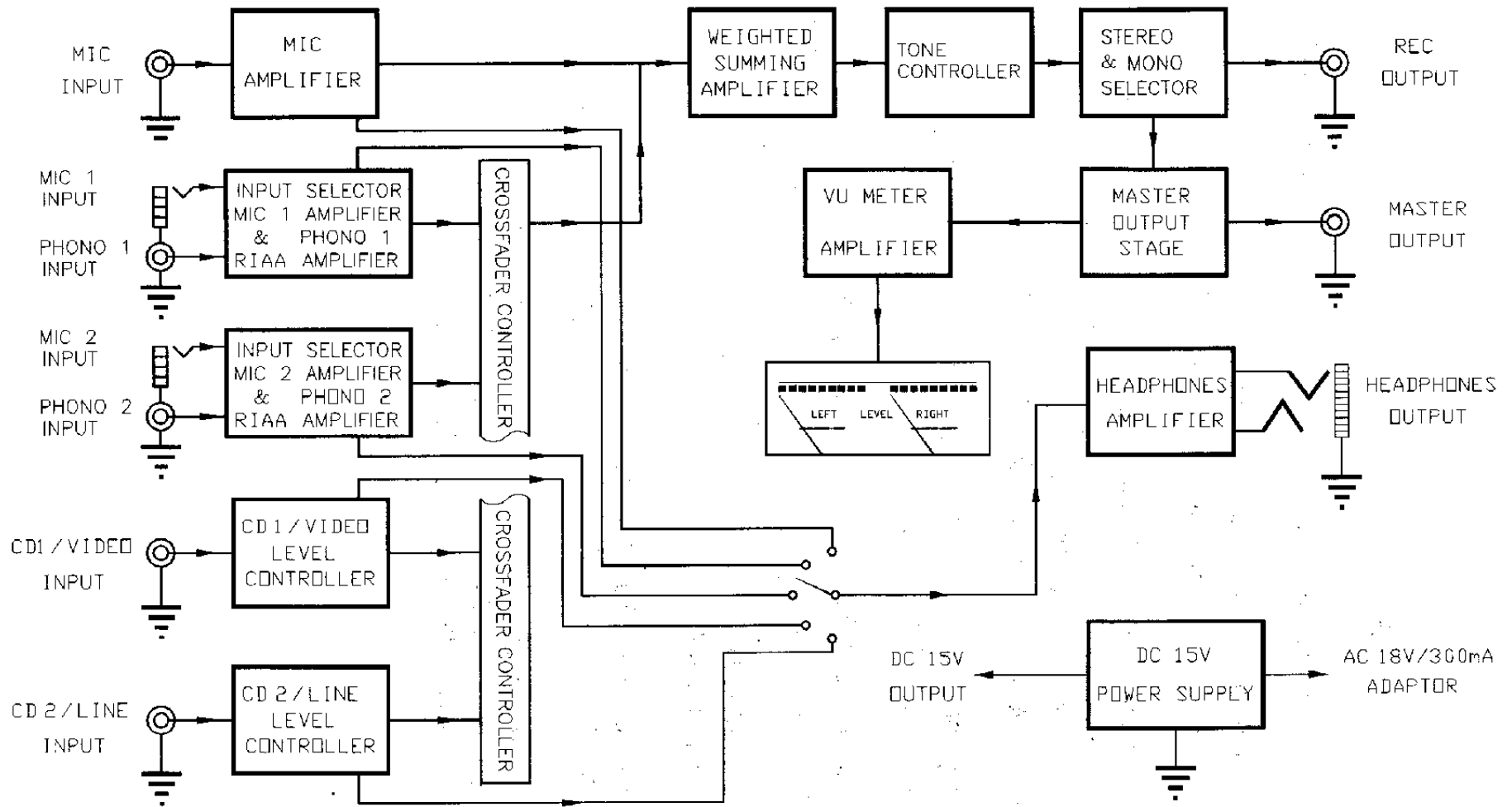
MIC	60 dB
PHONO	70 dB
CD, LINE, VIDEO	75 dB

Distortion:

MIC	0.5%
PHONO	0.2%
CD, LINE, VIDEO	0.02%

Dimensions 370mm (L) x 212mm (W) x 65mm (H)

BLOCK DIAGRAM



CIRCUIT DESCRIPTION

THEORY OF OPERATION

AS SHOWN IN THE BLOCK DIAGRAM, THIS MIXER HAS 7 INPUTS AND 3 OUTPUTS.

THE DC 15V POWER SUPPLY ENABLES THE 18V/AC ADAPTOR TO BE CONVERTED TO $\pm 15V$ /DC AND IS USED TO FEED THE IC OF EACH STAGE AND LAMP OF THE VU METER.

THE MIC SIGNAL FROM INPUT JACK THROUGH MIC AMPLIFIER (IC1 IS A LINEAR AMPLIFIER) MAGNIFICATION, THEN SEND TO THE MIC LEVEL CONTROL (VR1), AFTERWARD, THE MIC SIGNAL IS SEND TO THE MIXING BUS. AND THE PHONO 1 (IC3.VR2)/PHONO 2 (IC4/VR3) LIKEWISE. (IC3/IC4 IS A MATCH TO RIAA CURVES UNLINEAR AMPLIFIER)

THE SIGNAL OF CD1/VIDEO FROM INPUT JACK IS DIRECTLY SEND TO THE LEVEL CONTROL (VR4), THEN SEND TO THE MIXING BUS. AND CD2/LINE LIKEWISE.

THE SIGNAL OF MIXING BUS GOES TO THE WEIGHTED SUMMING AMPLIFIER (IC6) AND THEN ON TO THE MASTER GAIN STAGE (IC2) MAGNIFYING IT WHICH RESULTS AS OUTPUT GOING TO THE REC OUTPUT JACKS AND THE MASTER OUTPUT STAGE (IC5), AND THE MASTER OUTPUT STAGE (IC5 IS A LINEAR AMPLIFIER) SEND THE OUTPUT SIGNAL TO THE OUTPUT JACKS.

THE SIGNAL COMING FROM THE MASTER OUTPUT STAGE (IC5) GOES THROUGH THE VU METER AMPLIFIER (IC8), WHICH IS THEN SHOWN ON THE VU METER.

THE SIGNAL (PRE-FADE) OF EACH CHANNELS GOES THROUGH THE MONITOR SELECT SWITCH (ROTARY SWITCH SW1) WHICH IS THEN TRANSMITTED TO THE HEADPHONE AMPLIFIER (IC7) & MAGNIFIED, THEN GOES TO THE HEADPHONE JACK.

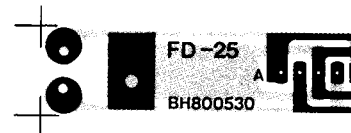
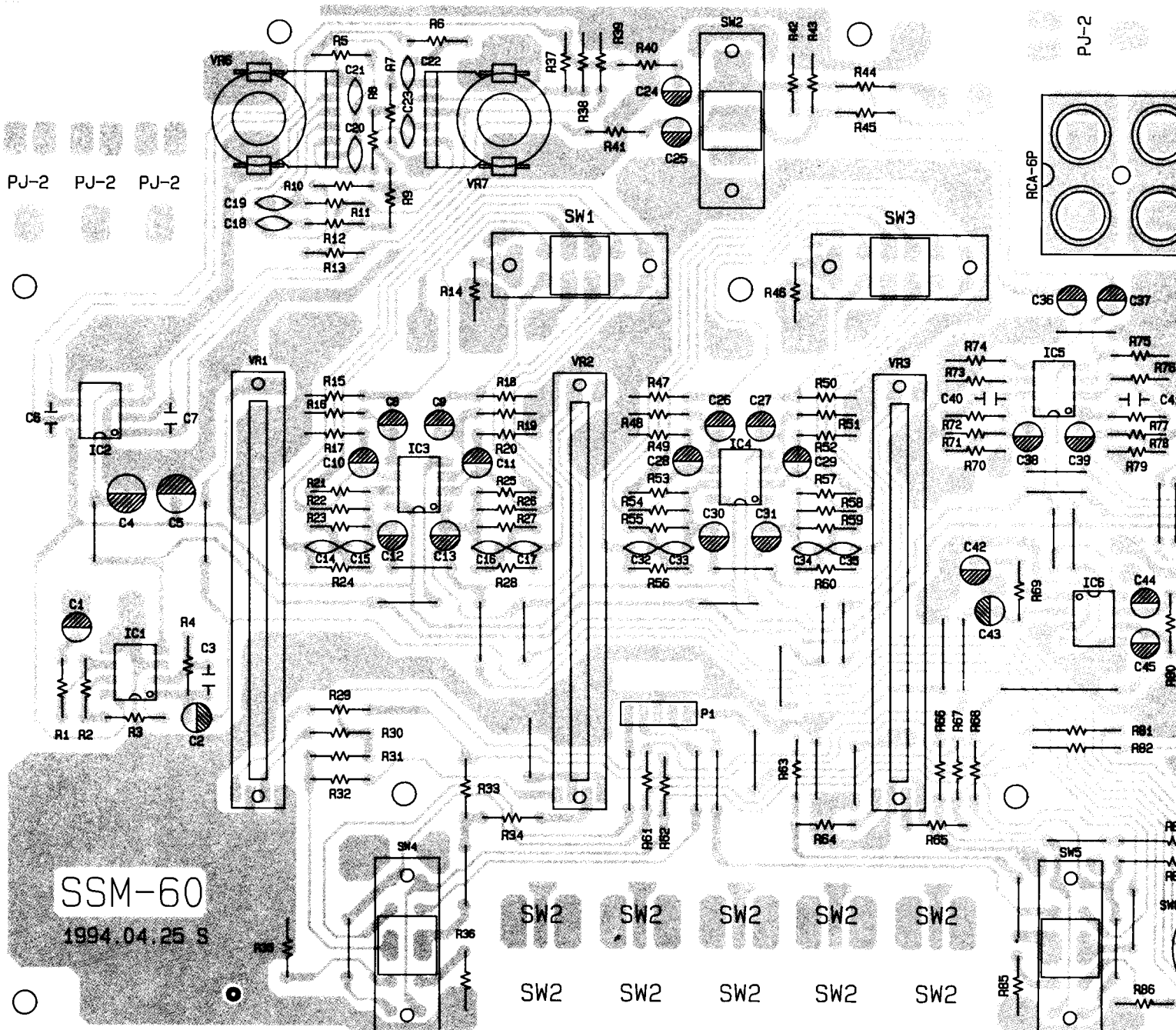
TROUBLESHOOTING

THIS TROUBLESHOOTING GUIDE SUGGEST AREAS TO CHECK TO FIND PROBLEMS. IN GENERAL, EACH FAULT IS FOLLOWED BY A LIST OF POINTS TO CHECK. THESE POINTS RANGE FROM THE MOST POSSIBLE TO THE LEAST LIKELY.

FAULT	POINTS TO CHECK
DEAD UNIT (VU METER NO LIGHT)	* CHECK THE AC ADAPTOR. * CHECK THE POWER SWITCH. * CHECK THE POWER INPUT JACK.
VU METER WITH LIGHT BUT MASTER OUTPUT NO SIGNAL	* CHECK THE VOLTAGE REGULATORS. (IC9, IC10) * CHECK IC2, IC5, IC6, IC8.
VU METER WORKS BUT MASTER OUTPUT NO SIGNAL OUTPUT	* CHECK THE WIRE CONNECTED BETWEEN R70, R79 AND MASTER OUTPUT JACKS.
MIC NOT WORKING	* CHECK IC1 AND SURROUNDING PARTS
MIC 1 NOT WORKING	* CHECK IC3 AND SURROUNDING PARTS
MIC 2 NOT WORKING	* CHECK IC4 AND SURROUNDING PARTS
PHONO 1 NOT WORKING	* CHECK IC3 AND SURROUNDING PARTS
PHONO 2 NOT WORKING	* CHECK IC4 AND SURROUNDING PARTS
HEADPHONE OUTPUT NOT WORKING	* ADJUST MONITORING LEVEL CONTROL * CHECK IC7 AND SURROUNDING PARTS

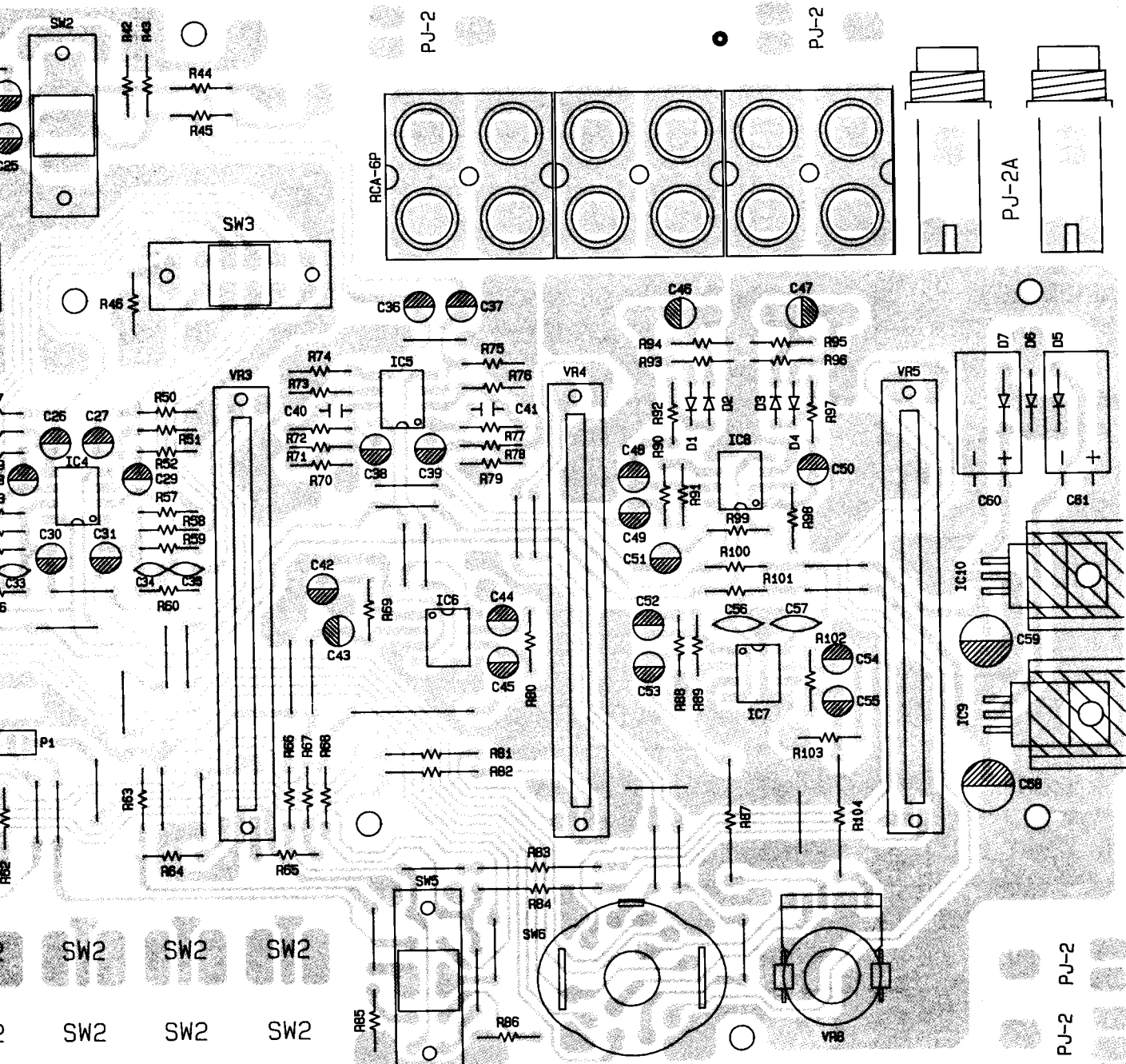
PRINTED CIRCUIT BOARD

MAIN PCB



PRINTED CIRCUIT BOARD

MAIN PCB



ELECTRICAL PARTS LIST

Ref.No.	Description	RS Part No.	MFR'S PART NO.
	MAIN PCB ASS'Y (SSM-60)		0229SSM60
RESISTORS			
R1	RESISTORS CARBON 1/4W±5%	600 OHM	12RCT1/4J600
R2	RESISTORS CARBON 1/4W±5%	5.6K OHM	12RCT1/4J5.6K
R3	RESISTORS CARBON 1/4W±5%	1K OHM	12RCT1/4J1K
R4	RESISTORS CARBON 1/4W±5%	10K OHM	12RCT1/4J10K
R5	RESISTORS CARBON 1/4W±5%	10K OHM	12RCT1/4J10K
R6	RESISTORS CARBON 1/4W±5%	3.3K OHM	12RCT1/4J3.3K
R7	RESISTORS CARBON 1/4W±5%	10K OHM	12RCT1/4J10K
R8	RESISTORS CARBON 1/4W±5%	10K OHM	12RCT1/4J10K
R9	RESISTORS CARBON 1/4W±5%	3.3K OHM	12RCT1/4J3.3K
R10	RESISTORS CARBON 1/4W±5%	10K OHM	12RCT1/4J10K
R11	RESISTORS CARBON 1/4W±5%	10K OHM	12RCT1/4J10K
R12	RESISTORS CARBON 1/4W±5%	10K OHM	12RCT1/4J10K
R13	RESISTORS CARBON 1/4W±5%	1.2K OHM	12RCT1/4J1.2K
R14	RESISTORS CARBON 1/4W±5%	600 OHM	12RCT1/4J600
R15	RESISTORS CARBON 1/4W±5%	56K OHM	12RCT1/4J56K
R16	RESISTORS CARBON 1/4W±5%	560K OHM	12RCT1/4J560K
R17	RESISTORS CARBON 1/4W±5%	820 OHM	12RCT1/4J820
R18	RESISTORS CARBON 1/4W±5%	56K OHM	12RCT1/4J56K
R19	RESISTORS CARBON 1/4W±5%	560K OHM	12RCT1/4J560K
R20	RESISTORS CARBON 1/4W±5%	820 OHM	12RCT1/4J820
R21	RESISTORS CARBON 1/4W±5%	82K OHM	12RCT1/4J82K
R22	RESISTORS CARBON 1/4W±5%	2.2M OHM	12RCT1/4J2.2M
R23	RESISTORS CARBON 1/4W±5%	390K OHM	12RCT1/4J390K
R24	RESISTORS CARBON 1/4W±5%	33K OHM	12RCT1/4J33K
R25	RESISTORS CARBON 1/4W±5%	82K OHM	12RCT1/4J82K
R26	RESISTORS CARBON 1/4W±5%	2.2M OHM	12RCT1/4J2.2M
R27	RESISTORS CARBON 1/4W±5%	390K OHM	12RCT1/4J390K
R28	RESISTORS CARBON 1/4W±5%	33K OHM	12RCT1/4J33K
R29	RESISTORS CARBON 1/4W±5%	150K OHM	12RCT1/4J150K
R30	RESISTORS CARBON 1/4W±5%	150K OHM	12RCT1/4J150K
R31	RESISTORS CARBON 1/4W±5%	51K OHM	12RCT1/4J51K
R32	RESISTORS CARBON 1/4W±5%	51K OHM	12RCT1/4J51K
R33	RESISTORS CARBON 1/4W±5%	51K OHM	12RCT1/4J51K
R34	RESISTORS CARBON 1/4W±5%	51K OHM	12RCT1/4J51K
R35	RESISTORS CARBON 1/4W±5%	51K OHM	12RCT1/4J51K
R36	RESISTORS CARBON 1/4W±5%	51K OHM	12RCT1/4J51K
R37	RESISTORS CARBON 1/4W±5%	1.2K OHM	12RCT1/4J1.2K
R38	RESISTORS CARBON 1/4W±5%	470 OHM	12RCT1/4J470
R39	RESISTORS CARBON 1/4W±5%	470 OHM	12RCT1/4J470
R40	RESISTORS CARBON 1/4W±5%	1K OHM	12RCT1/4J1K
R41	RESISTORS CARBON 1/4W±5%	1K OHM	12RCT1/4J1K
R42	RESISTORS CARBON 1/4W±5%	100K OHM	12RCT1/4J100K

Ref. No.	Description	RS Part No.	MFR'S PART NO.
RESISTORS			
R43	RESISTORS CARBON 1/4W±5%	100K OHM	12RCT1/4J100K
R44	RESISTORS CARBON 1/4W±5%	100 OHM	12RCT1/4J100
R45	RESISTORS CARBON 1/4W±5%	100 OHM	12RCT1/4J100
R46	RESISTORS CARBON 1/4W±5%	600 OHM	12RCT1/4J600
R47	RESISTORS CARBON 1/4W±5%	56K OHM	12RCT1/4J56K
R48	RESISTORS CARBON 1/4W±5%	560K OHM	12RCT1/4J560K
R49	RESISTORS CARBON 1/4W±5%	820 OHM	12RCT1/4J820
R50	RESISTORS CARBON 1/4W±5%	56K OHM	12RCT1/4J56K
R51	RESISTORS CARBON 1/4W±5%	560K OHM	12RCT1/4J560K
R52	RESISTORS CARBON 1/4W±5%	820 OHM	12RCT1/4J820
R53	RESISTORS CARBON 1/4W±5%	82K OHM	12RCT1/4J82K
R54	RESISTORS CARBON 1/4W±5%	2.2M OHM	12RCT1/4J2.2M
R55	RESISTORS CARBON 1/4W±5%	390K OHM	12RCT1/4J390K
R56	RESISTORS CARBON 1/4W±5%	33K OHM	12RCT1/4J33K
R57	RESISTORS CARBON 1/4W±5%	82K OHM	12RCT1/4J82K
R58	RESISTORS CARBON 1/4W±5%	2.2M OHM	12RCT1/4J2.2M
R59	RESISTORS CARBON 1/4W±5%	390K OHM	12RCT1/4J390K
R60	RESISTORS CARBON 1/4W±5%	33K OHM	12RCT1/4J33K
R61	RESISTORS CARBON 1/4W±5%	51K OHM	12RCT1/4J51K
R62	RESISTORS CARBON 1/4W±5%	51K OHM	12RCT1/4J51K
R63	RESISTORS CARBON 1/4W±5%	51K OHM	12RCT1/4J51K
R64	RESISTORS CARBON 1/4W±5%	51K OHM	12RCT1/4J51K
R65	RESISTORS CARBON 1/4W±5%	51K OHM	12RCT1/4J51K
R66	RESISTORS CARBON 1/4W±5%	51K OHM	12RCT1/4J51K
R67	RESISTORS CARBON 1/4W±5%	51K OHM	12RCT1/4J51K
R68	RESISTORS CARBON 1/4W±5%	51K OHM	12RCT1/4J51K
R69	RESISTORS CARBON 1/4W±5%	220K OHM	12RCT1/4J220K
R70	RESISTORS CARBON 1/4W±5%	100 OHM	12RCT1/4J100
R71	RESISTORS CARBON 1/4W±5%	100K OHM	12RCT1/4J100K
R72	RESISTORS CARBON 1/4W±5%	1K OHM	12RCT1/4J1K
R73	RESISTORS CARBON 1/4W±5%	1K OHM	12RCT1/4J1K
R74	RESISTORS CARBON 1/4W±5%	100K OHM	12RCT1/4J100K
R75	RESISTORS CARBON 1/4W±5%	100K OHM	12RCT1/4J100K
R76	RESISTORS CARBON 1/4W±5%	1K OHM	12RCT1/4J1K
R77	RESISTORS CARBON 1/4W±5%	1K OHM	12RCT1/4J1K
R78	RESISTORS CARBON 1/4W±5%	100K OHM	12RCT1/4J100K
R79	RESISTORS CARBON 1/4W±5%	100 OHM	12RCT1/4J100
R80	RESISTORS CARBON 1/4W±5%	220K OHM	12RCT1/4J220K
R81	RESISTORS CARBON 1/4W±5%	51K OHM	12RCT1/4J51K
R82	RESISTORS CARBON 1/4W±5%	51K OHM	12RCT1/4J51K
R83	RESISTORS CARBON 1/4W±5%	51K OHM	12RCT1/4J51K
R84	RESISTORS CARBON 1/4W±5%	51K OHM	12RCT1/4J51K
R85	RESISTORS CARBON 1/4W±5%	51K OHM	12RCT1/4J51K
R86	RESISTORS CARBON 1/4W±5%	51K OHM	12RCT1/4J51K
R87	RESISTORS CARBON 1/4W±5%	47K OHM	12RCT1/4J47K

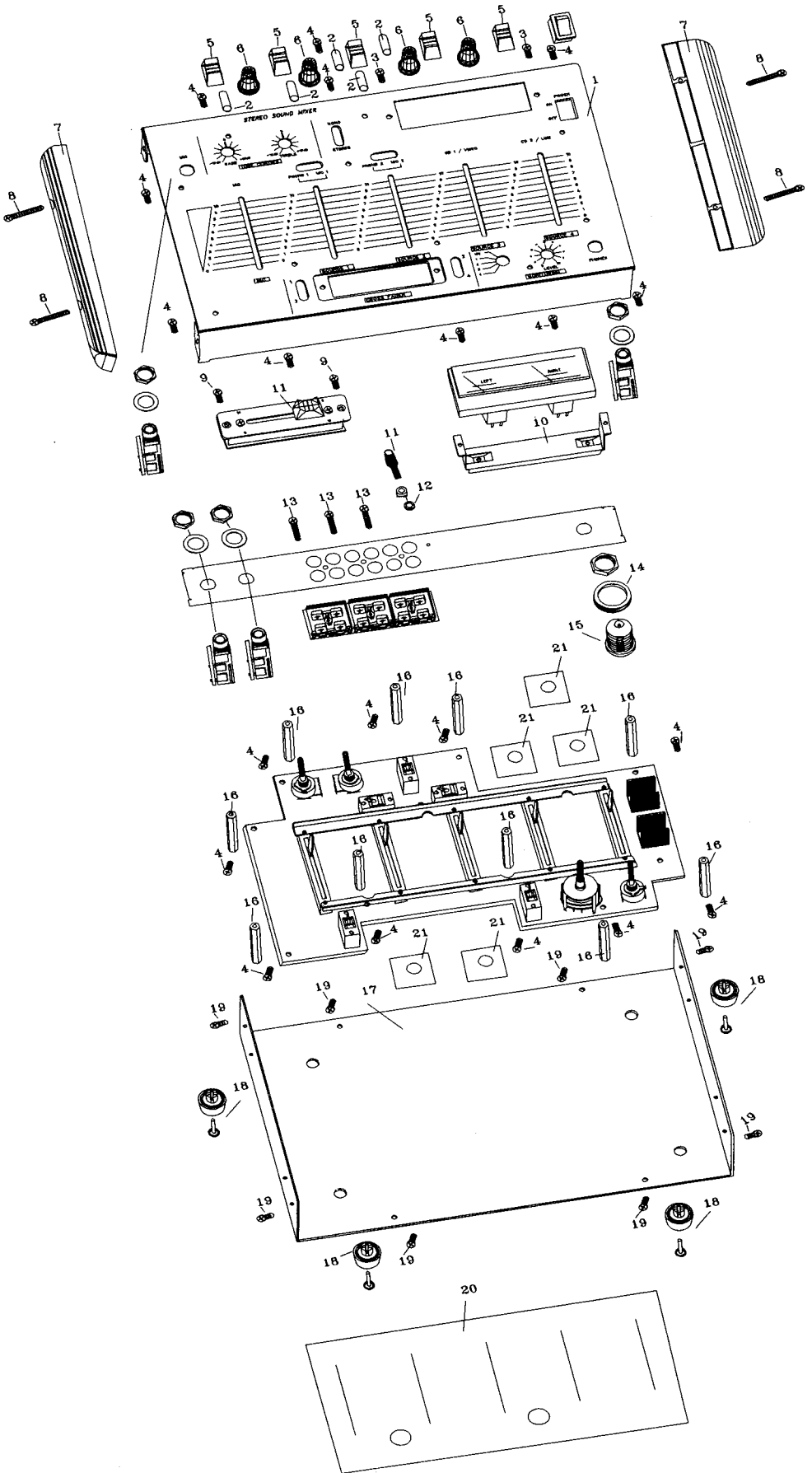
Ref.No.	Description	RS Part No.	MFR'S PART NO.
RESISTORS			
R88	RESISTORS CARBON 1/4W±5% 100 OHM		12RCT1/4J100
R89	RESISTORS CARBON 1/4W±5% 330K OHM		12RCT1/4J330K
R90	RESISTORS CARBON 1/4W±5% 56K OHM		12RCT1/4J56K
R91	RESISTORS CARBON 1/4W±5% 390K OHM		12RCT1/4J390K
R92	RESISTORS CARBON 1/4W±5% 6.8K OHM		12RCT1/4J6.8K
R93	RESISTORS CARBON 1/4W±5% 3.3K OHM		12RCT1/4J3.3K
R94	RESISTORS CARBON 1/4W±5% 3.3K OHM		12RCT1/4J3.3K
R95	RESISTORS CARBON 1/4W±5% 3.3K OHM		12RCT1/4J3.3K
R96	RESISTORS CARBON 1/4W±5% 3.3K OHM		12RCT1/4J3.3K
R97	RESISTORS CARBON 1/4W±5% 6.8K OHM		12RCT1/4J6.8K
R98	RESISTORS CARBON 1/4W±5% 390K OHM		12RCT1/4J390K
R99	RESISTORS CARBON 1/4W±5% 56K OHM		12RCT1/4J56K
R100	RESISTORS CARBON 1/4W±5% 100 OHM		12RCT1/4J100
R101	RESISTORS CARBON 1/4W±5% 100 OHM		12RCT1/4J100
R102	RESISTORS CARBON 1/4W±5% 330K OHM		12RCT1/4J330K
R103	RESISTORS CARBON 1/4W±5% 100 OHM		12RCT1/4J100
R104	RESISTORS CARBON 1/4W±5% 47K OHM		12RCT1/4J47K
ICS			
IC1	OPRATIONAL AMPLIFIER IC NJM4558DD		03ICNJM4558DD
IC2	OPRATIONAL AMPLIFIER IC NJM4558DD		03ICNJM4558DD
IC3	OPRATIONAL AMPLIFIER IC NJM4558DD		03ICNJM4558DD
IC4	OPRATIONAL AMPLIFIER IC NJM4558DD		03ICNJM4558DD
IC5	OPRATIONAL AMPLIFIER IC NJM4558DD		03ICNJM4558DD
IC6	OPRATIONAL AMPLIFIER IC NJM4558DD		03ICNJM4558DD
IC7	OPRATIONAL AMPLIFIER IC NJM4558DD		03ICNJM4558DD
IC8	OPRATIONAL AMPLIFIER IC NJM4558DD		03ICNJM4558DD
IC9	VOLTAGE REGULATOR IC NJM7915		03ICNJM7915
IC10	VOLTAGE REGULATOR IC NJM7815		03ICNJM7815
DIODES			
D1	DIODE 1N4148		10DIT1N4148
D2	DIODE 1N4148		10DIT1N4148
D3	DIODE 1N4148		10DIT1N4148
D4	DIODE 1N4148		10DIT1N4148
D5	DIODE 1N4001		10DIT1N4001
D6	DIODE 1N4001		10DIT1N4001
D7	DIODE 1N4001		10DIT1N4001

Ref.No.	Description	RS Part No.	MFR'S PART NO.
CAPACITORS			
C1	ELECTROLYTIC ± 20%	47UF/16V	05CE16M47UF
C2	ELECTROLYTIC ± 20%	4.7UF/50V	05CE50M4.7UF
C3	CERAMIC ± 10%	47PF/100V	09CC100K47PF
C4	ELECTROLYTIC ± 20%	470UF/16V	05CE16M470UF
C5	ELECTROLYTIC ± 20%	470UF/16V	05CE16M470UF
C6	CERAMIC ± 10%	20PF/100V	09CC100K20PF
C7	CERAMIC ± 10%	20PF/100V	09CC100K20PF
C8	ELECTROLYTIC ± 20%	4.7UF/50V	05CE50M4.7UF
C9	ELECTROLYTIC ± 20%	4.7UF/50V	05CE50M4.7UF
C10	ELECTROLYTIC ± 20%	47UF/16V	05CE16M47UF
C11	ELECTROLYTIC ± 20%	47UF/16V	05CE16M47UF
C12	ELECTROLYTIC ± 20%	4.7UF/50V	05CE50M4.7UF
C13	ELECTROLYTIC ± 20%	4.7UF/50V	05CE50M4.7UF
C14	MYLAR ± 5%	0.0022UF/100V	08CM100J0.0022UF
C15	MYLAR ± 5%	0.0082UF/100V	08CM100J0.0082UF
C16	MYLAR ± 5%	0.0082UF/100V	08CM100J0.0082UF
C17	MYLAR ± 5%	0.0022UF/100V	08CM100J0.0022UF
C18	MYLAR ± 5%	0.039UF/100V	08CM100J0.039UF
C19	MYLAR ± 5%	0.039UF/100V	08CM100J0.039UF
C20	MYLAR ± 5%	0.039UF/100V	08CM100J0.039UF
C21	MYLAR ± 5%	0.039UF/100V	08CM100J0.039UF
C22	MYLAR ± 5%	0.0022UF/100V	08CM100J0.0022UF
C23	MYLAR ± 5%	0.0022UF/100V	08CM100J0.0022UF
C24	ELECTROLYTIC ± 20%	47UF/16V	05CE16M47UF
C25	ELECTROLYTIC ± 20%	47UF/16V	05CE16M47UF
C26	ELECTROLYTIC ± 20%	4.7UF/50V	05CE50M4.7UF
C27	ELECTROLYTIC ± 20%	4.7UF/50V	05CE50M4.7UF
C28	ELECTROLYTIC ± 20%	47UF/16V	05CE16M47UF
C29	ELECTROLYTIC ± 20%	47UF/16V	05CE16M47UF
C30	ELECTROLYTIC ± 20%	4.7UF/50V	05CE50M4.7UF
C31	ELECTROLYTIC ± 20%	4.7UF/50V	05CE50M4.7UF
C32	MYLAR ± 5%	0.0022UF/100V	08CM100J0.0022UF
C33	MYLAR ± 5%	0.0082UF/100V	08CM100J0.0082UF
C34	MYLAR ± 5%	0.0082UF/100V	08CM100J0.0082UF
C35	MYLAR ± 5%	0.0022UF/100V	08CM100J0.0022UF
C36	ELECTROLYTIC ± 20%	4.7UF/50V	05CE50M4.7UF
C37	ELECTROLYTIC ± 20%	4.7UF/50V	05CE50M4.7UF
C38	ELECTROLYTIC ± 20%	47UF/16V	05CE16M47UF
C39	ELECTROLYTIC ± 20%	47UF/16V	05CE16M47UF
C40	CERAMIC ± 10%	47PF/100V	09CC100K47PF
C41	CERAMIC ± 10%	47PF/100V	09CC100K47PF
C42	ELECTROLYTIC ± 20%	47UF/16V	05CE16M47UF
C43	ELECTROLYTIC ± 20%	4.7UF/50V	05CE50M4.7UF
C44	ELECTROLYTIC ± 20%	47UF/16V	05CE16M47UF
C45	ELECTROLYTIC ± 20%	4.7UF/50V	05CE50M4.7UF

Ref.No.	Description	RS Part No.	MFR'S PART NO.
CAPACITORS			
C46	ELECTROLYTIC ±20% 4.7UF/50V		05CE50M4.7UF
C47	ELECTROLYTIC ±20% 4.7UF/50V		05CE50M4.7UF
C48	ELECTROLYTIC ±20% 4.7UF/50V		05CE50M4.7UF
C49	ELECTROLYTIC ±20% 4.7UF/50V		05CE50M4.7UF
C50	ELECTROLYTIC ±20% 4.7UF/50V		05CE50M4.7UF
C51	ELECTROLYTIC ±20% 4.7UF/50V		05CE50M4.7UF
C52	ELECTROLYTIC ±20% 100UF/16V		05CE16M100UF
C53	ELECTROLYTIC ±20% 4.7UF/50V		05CE50M4.7UF
C54	ELECTROLYTIC ±20% 100UF/16V		05CE16M100UF
C55	ELECTROLYTIC ±20% 4.7UF/50V		05CE50M4.7UF
C56	MYLAR ±5% 0.1UF/100V		08CM100J0.1UF
C57	MYLAR ±5% 0.1UF/100V		08CM100J0.1UF
C58	ELECTROLYTIC ±20% 470UF/16V		05CE16M470UF
C59	ELECTROLYTIC ±20% 470UF/16V		05CE16M470UF
C60	ELECTROLYTIC ±20% 470UF/35V		05CE35M470UF
C61	ELECTROLYTIC ±20% 470UF/35V		05CE35M470UF
SLIDE POTENTIOMETERS & SWITCHES			
VR1	SLIDE POTENTIOMETER 60mm 100K B*2		16SV60F1572B100K
VR2	SLIDE POTENTIOMETER 60mm 100K B*2		16SV60F1572B100K
VR3	SLIDE POTENTIOMETER 60mm 100K B*2		16SV60F1572B100K
VR4	SLIDE POTENTIOMETER 60mm 100K B*2		16SV60F1572B100K
VR5	SLIDE POTENTIOMETER 60mm 100K B*2		16SV60F1572B100K
VR6	ROTARY VR W/CENTER 25F 100K B*2		17RV16F2852B100K
VR7	ROTARY VR W/CENTER 25F 100K B*2		17RV16F2852B100K
VR8	ROTARY VR 25F 100K B*2		17RV16F2832B100K
SW1	TOGGLE SWITCH 2 BAND 60° 4 CIRCUIT		64SWT02R4S12P6
SW2	TOGGLE SWITCH 2 BAND 60° 4 CIRCUIT		64SWT02R4S12P6
SW3	TOGGLE SWITCH 2 BAND 60° 4 CIRCUIT		64SWT02R4S12P6
SW4	TOGGLE SWITCH 2 BAND 60° 4 CIRCUIT		64SWT02R4S12P6
SW5	TOGGLE SWITCH 2 BAND 60° 4 CIRCUIT		64SWT02R4S12P6
SW6	ROTARY SWITCH 5 BAND 2 CIRCUIT		63SWR05L2S12P1B
OTHERS			
	SCREW ISO P=0.5 2*3mm BLACK		31SEISORB2*3
	SCREW ISO P=0.5 3*8mm BLACK		31SEISOBB3*8
	NUT FOR M3-P0.5 SCREW WHITE		33NUTB3SW5.5*2
	ATTACHMENT FOR SLIDE POTENTIOMETER		42SVSM3000C
	1/4"PHONE JACK FOR MIC AND HEADPHONES		60PJPC2
	HEAT SINK 20mm*18mm*15mm BLACK		50HSBP
	RCA JACK 4P 2GND WHITE/RED		59RJ4P2GWPRWW
	MAIN P.C.BORD (SSM-60) 177mm*300mm		29PCBSSM60

Ref.No.	Description	RS Part No.	MFR'S PART NO.
	FADER CONTROLLER		0229FD25-A&A
	NAME PLATE FOR FADER CONTROLLER COPPER PROP (11=5+6) 5*11mm UNWEAUE CLOTH 76mm*20mm BLACK SCREW ISO P=0.5 3*4mm BLACK SLIDE POTENTIOMETER 45mm 100K B*2 FADER P.C.BORD (FD-25) 12mm*74mm CONNECTOR HOLDER 90° 5 PIN KNOB FOR SLIDE POTENTIOMETER		30S8IIGS 34CS5*11MF 37UC76*20CH1 31SEISOMB3*4 16SV45F1272B100K 29PCBFD25 75CHAC5 70KBS2112BBBAR-1

EXPLODED VIEW



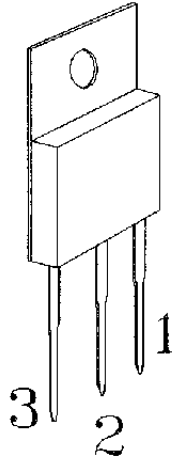
MECHANICAL PARTS LIST

Ref.No.	Description	RS Part No.	MFR'S PART NO.
1	OUTSIDE COVER FOR SSM-60		47SSM60IIGARS
2	KNOB FOR TOGGLE SWITCH		70KBT516B
3	SCREW ISO P=0.5 4*8mm BLACK		31SEISOBB4*8
4	SCREW ISO P=0.5 3*6mm BLACK		31SEISOBB3*6
5	KNOB FOR SLIDE POTEN.		70KBS2112BBBAR-1
6	KNOB FOR ROTARY POTEN. WARM RED		70KBR1518BBAR-1
	KNOB FOR ROTARY POTEN. LIGHT GREEN		70KBR1518BBATG
7	PLASTIC SIDE PLATE IRON GRAY		44SM3000PIG
8	SCREW ISO P=0.5 3*20mm BLACK		31SEISOBB3*20
9	SCREW ISO P=0.5 3*6mm BLACK		31SEISOMB3*6
10	ATTACHMENT FOR VU METER BLACK		42VUBX810B
11	SCREW FOR GND OF REAR PANEL BLACK		31SEISOYB7*21
12	WASHER 8*4*0.5mm WHITE		74WSE8*0.5*4SW
13	SCREW TP 3*12mm BLACK		31SETPBB3*12
14	WASHER FOR AC INPUT JACK BLACK		77HODCSB2114
15	AC INPUT JACK		68DJPR07
16	COPPER PROP 5*19mm		34CS5*19
17	BOTTEM COVER IRON GRAY		46SM3000IIG
18	FOOT CUSHION BLACK		40FC16*4.5*2.5P
19	SCREW TP 3*6mm BLACK		31SETPBB3*6
20	UNWEAUE CLOTH 90mm*250mm BLACK		37UC250*90CH5
21	UNWEAUE CLOTH 30mm*30mm BLACK		37UC30*30R

IC BLOCK DIAGRAM

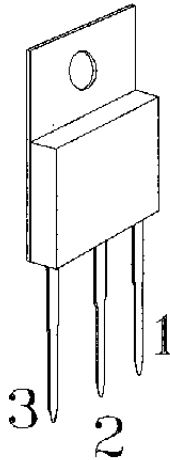
IC9:7915

- 1. OUT
- 2. IN
- 3. GND

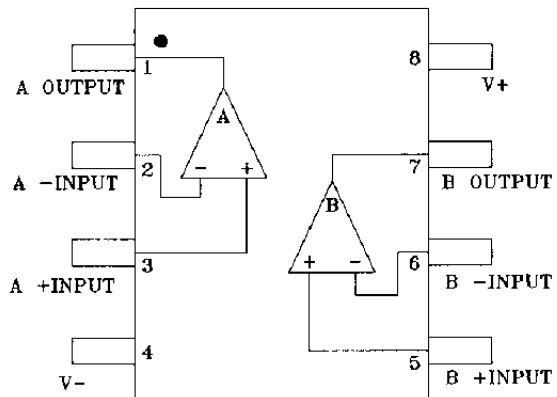
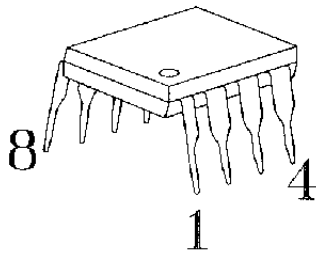


IC10:7815

- 1. OUT
- 2. GND
- 3. IN



IC1~IC8:4558



VOLTAGE CHART

FOR IC1, IC2, IC3, IC4, IC5, IC6, IC8

PIN	1	2	3	4	5	6	7	8
VOL.	± 0.1	± 0.1	± 0.1	-12.2	± 0.1	± 0.1	± 0.1	+12.4

FOR IC7

PIN	1	2	3	4	5	6	7	8
VOL.	± 0.1	± 0.1	± 0.1	-15	± 0.1	± 0.1	± 0.1	+15

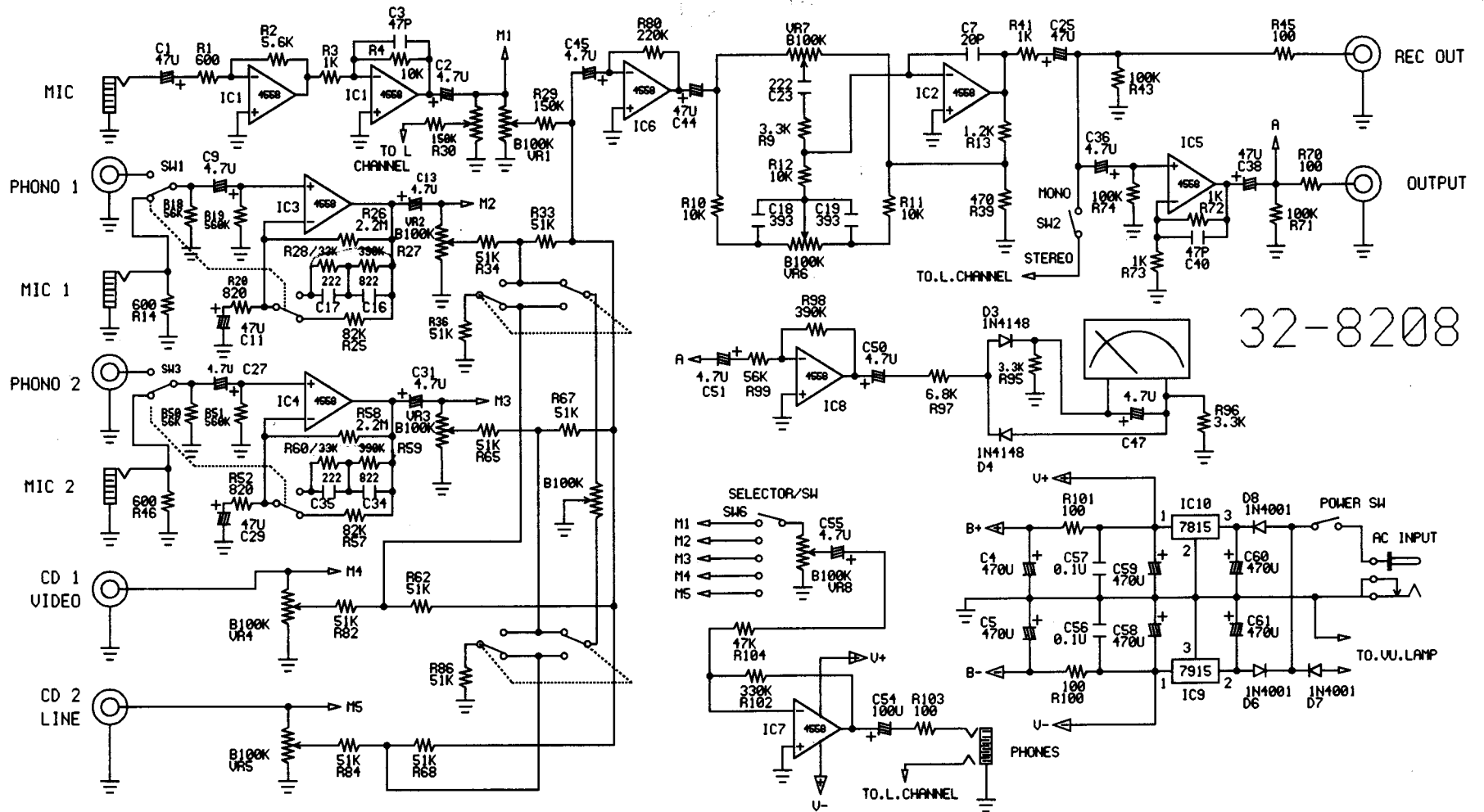
FOR IC9

PIN	1	2	3					
VOL.	-15	-23.7	0					

FOR IC10

PIN	1	2	3					
VOL.	+15	0	+24.8					

11 B



32-8208

LEFT CHANNEL