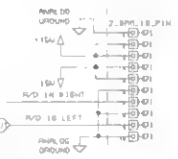
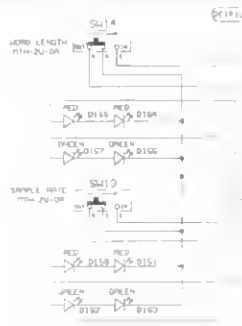


PROCESSOR OUTPUTS



OPTION BOARD

ZONE REV DATE/COMMENTS

1 2 3 4 5 6 7 8 9

1086

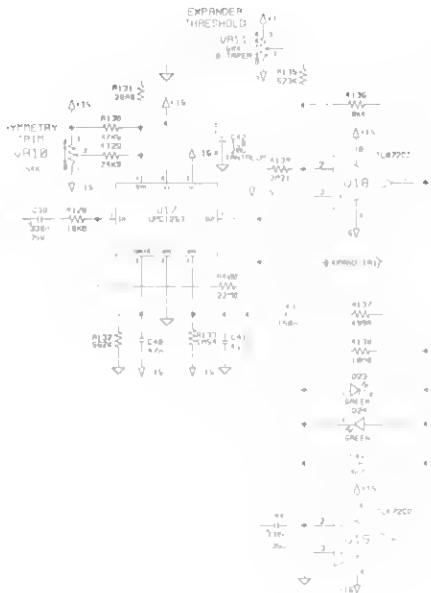
dbx

PROCESSOR OUTPUT

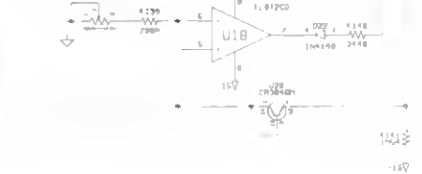
DATE: 248-50-01, REV BY: SFG

DATE: 57-06-24

FROM PREL #1  
 LOCATION PREL CU



EXPANDER  
 RATIO



TO PREL #3  
 "DISPLAY"

TO PREL #8  
 "CONTROL SUBUNIT"

EXPANDER CU



1086

ZONE REV. DATE COMMENTS  
 1  
 2  
 3  
 4  
 5  
 6  
 7  
 8  
 9  
 10  
 11  
 12  
 13  
 14  
 15  
 16  
 17  
 18  
 19  
 20  
 21  
 22  
 23  
 24  
 25  
 26  
 27  
 28  
 29  
 30  
 31  
 32  
 33  
 34  
 35  
 36  
 37  
 38  
 39  
 40  
 41  
 42  
 43  
 44  
 45  
 46  
 47  
 48  
 49  
 50  
 51  
 52  
 53  
 54  
 55  
 56  
 57  
 58  
 59  
 60  
 61  
 62  
 63  
 64  
 65  
 66  
 67  
 68  
 69  
 70  
 71  
 72  
 73  
 74  
 75  
 76  
 77  
 78  
 79  
 80  
 81  
 82  
 83  
 84  
 85  
 86  
 87  
 88  
 89  
 90  
 91  
 92  
 93  
 94  
 95  
 96  
 97  
 98  
 99  
 100

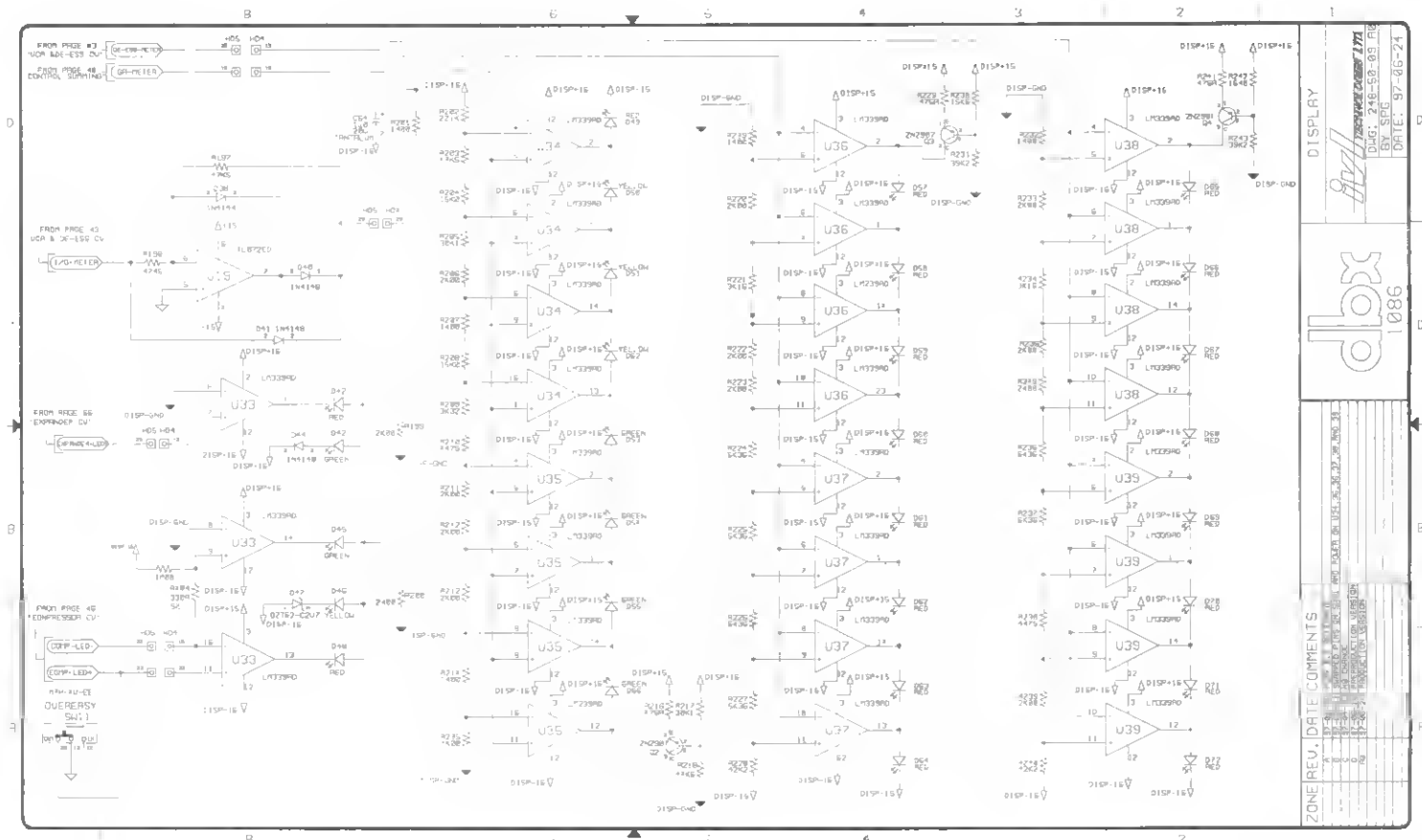
TECH PAPER LITA  
 DIAG. 248-50-95 R12  
 BY: SBC  
 DATE: 97-86-24











ZONE REV. DATE COMMENTS

DATE: 97-06-24

1086

DISPLAY

DATE: 97-06-24  
 BY: SEG-03  
 FILE: 246-59-03  
 DIAG: 246-59-03



DATE: 97-06-24  
 BY: SEG-03  
 FILE: 246-59-03  
 DIAG: 246-59-03

DATE: 97-06-24  
 BY: SEG-03  
 FILE: 246-59-03  
 DIAG: 246-59-03

