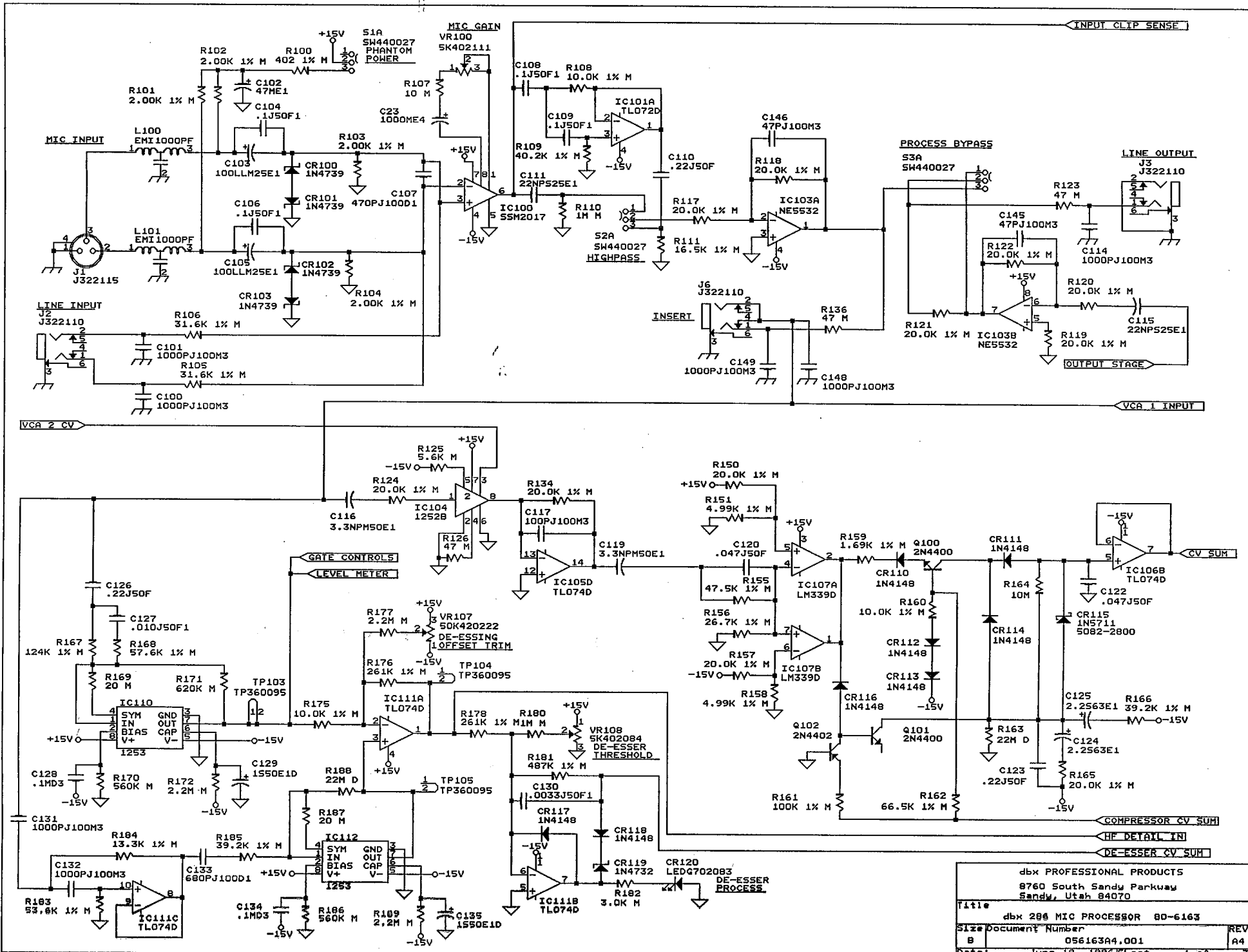


REV	DESCRIPTION	ECN#	DATE
A0	RELEASE SCHEMATIC REV A0 TO PRODUCTION		3.30.95
A1	ADD 50K TRIM POT (42-0222) TO B0M	88	3.31.95
A2	CHANGE R101, R102 FROM 6.81K TO 2.00K	143	3.31.95
A3	CHANGE VALUE OF R103, R100, R107, C102 ADD 1000uF BY IC100	568	10.23.95
A4	CHANGE IC102, IC104, & IC108 FROM 72-4262 TO 72-4064. CHANGE IC110 & IC112 FROM 72-4261 TO 72-4067.	954	6.13.96

REV	DESCRIPTION	ECN#	DATE

LINK
 1056163A4.001
 1056163A4.002
 1056163A4.003

dbx PROFESSIONAL PRODUCTS		
8760 South Sandy Parkway		
Sandy, Utah 84070		
Title	dbx 286 MIC PROCESSOR 80-6163	
Size	Document Number	REV
B	056163A4.000	A4
Date:	June 18, 1996	Sheet of 3

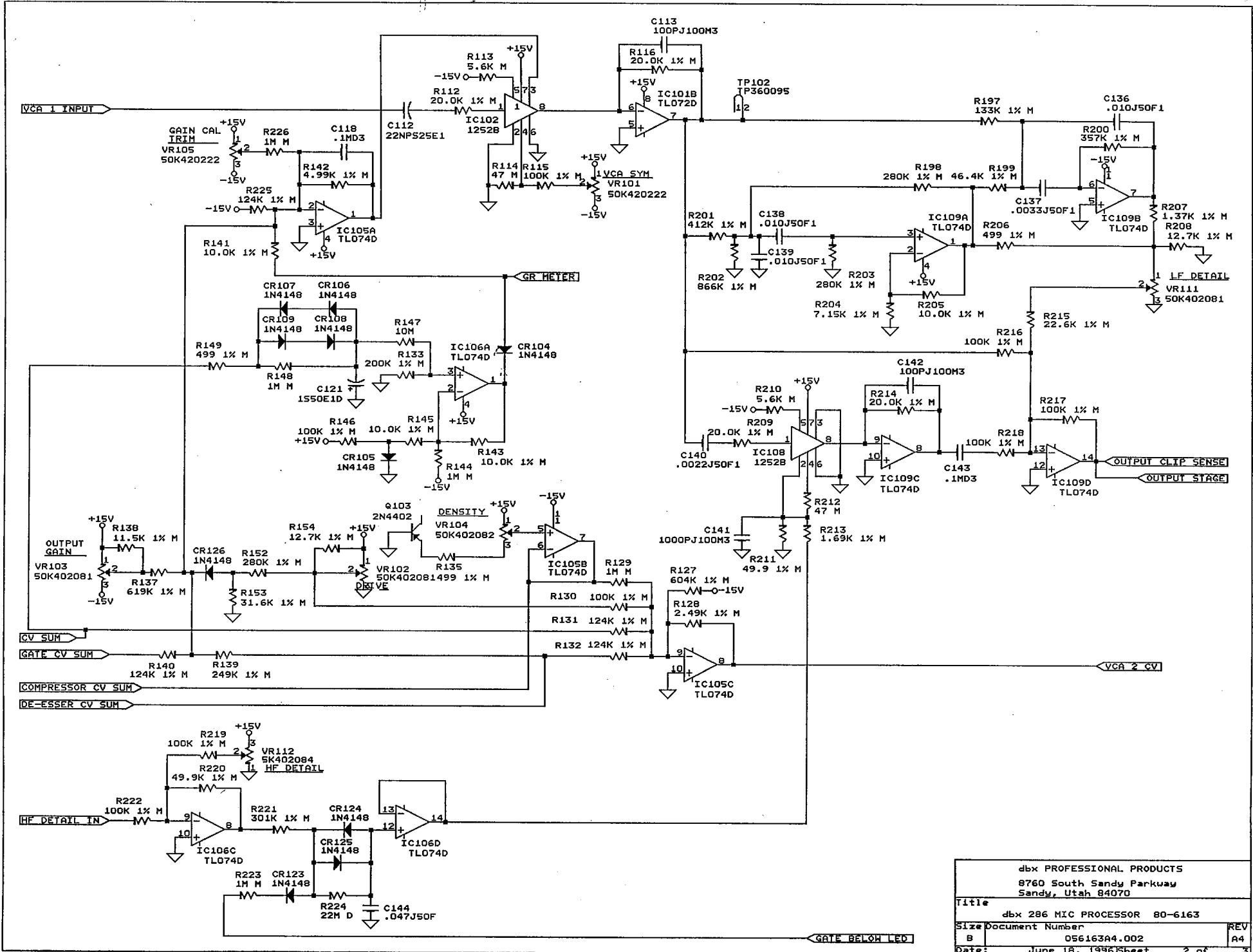


dbx PROFESSIONAL PRODUCTS
 8760 South Sandy Parkway
 Sandy, Utah 84070

Title
 dbx 286 MIC PROCESSOR 80-6163

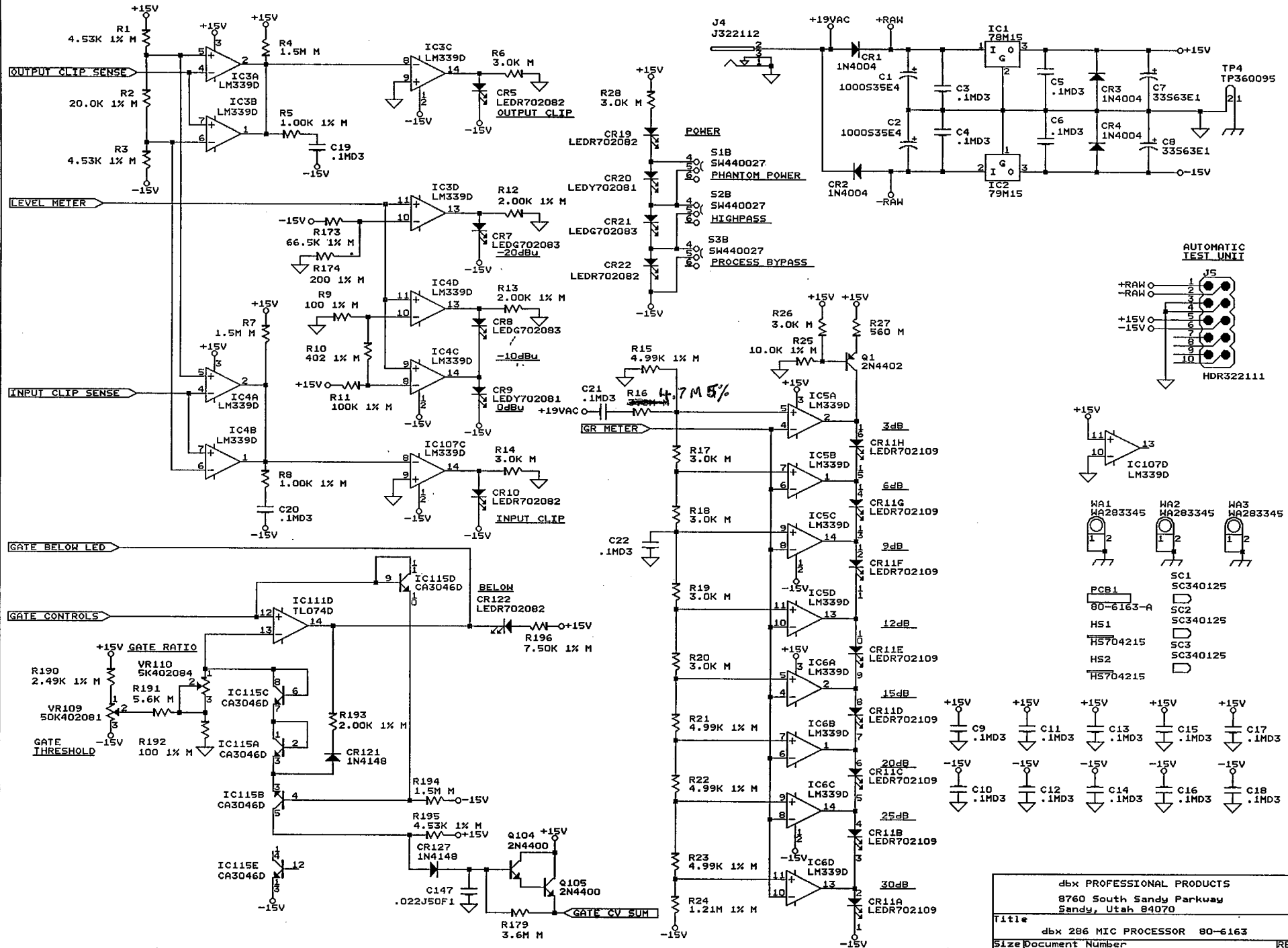
Size Document Number
 B 056163A4.001

Date: June 18, 1996 Sheet 1 of 3

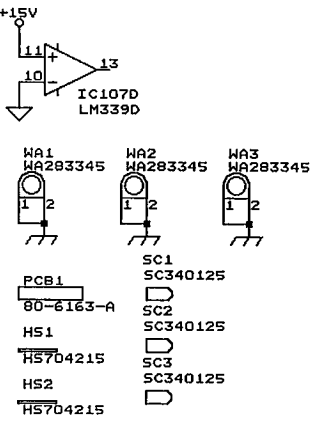
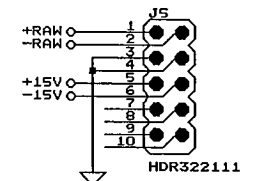


dbx PROFESSIONAL PRODUCTS 8760 South Sandy Parkway Sandy, Utah 84070	
Title dbx 286 MIC PROCESSOR 80-6163	
Size Document Number	
B	056163A4.002
Date:	June 18, 1996 Sheet 2 of 3

GATE BELOW LED



AUTOMATIC TEST UNIT



dbx PROFESSIONAL PRODUCTS 8760 South Sandy Parkway Sandy, Utah 84070		
Title dbx 286 MIC PROCESSOR 80-6163		
Size	Document Number	REV
B	056163A4.003	A4
Date:	June 18, 1996	Sheet 3 of 3