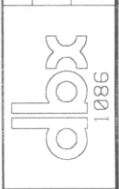


PREAMP OUTPUT

BY SFG

DATE: 97-06-24

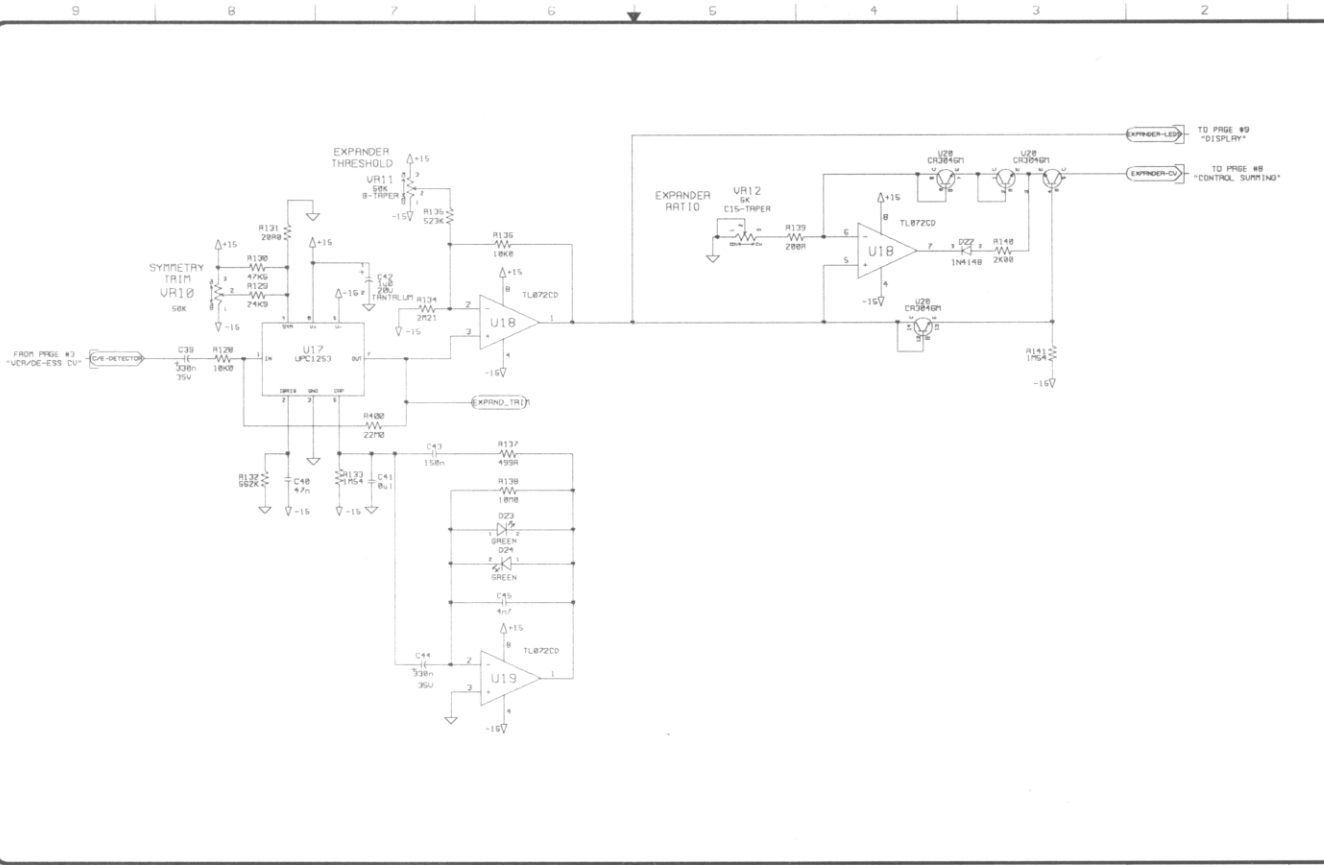




ZONE/REV. DATE/COMMENTS

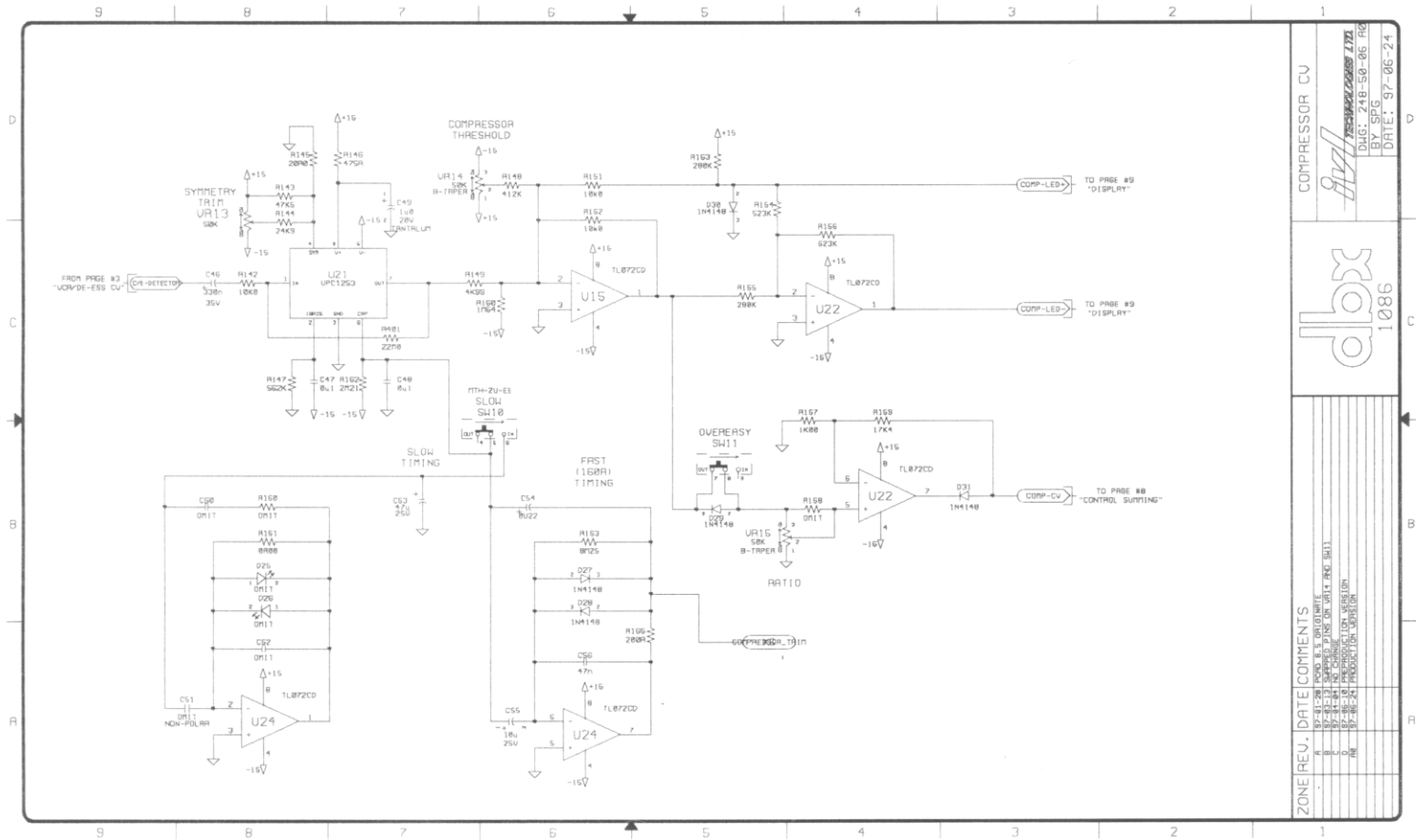
4	07-21-2001	ADD B.S. ORIENTATE
3	07-21-2001	ADD B.S. ORIENTATE
2	07-21-2001	ADD B.S. ORIENTATE
1	07-21-2001	ADD B.S. ORIENTATE







ZONE	REV.	DATE	COMMENTS
E	1	07-24-86	PCB08 & S. GARLAND
C	1	07-24-86	PCB08 & S. GARLAND
U	1	07-24-86	PCB08 & S. GARLAND
D	1	07-24-86	PCB08 & S. GARLAND
R	1	07-24-86	PCB08 & S. GARLAND
			
1086			
EXPANDER CU			
			
TECHNICAL DRAWING DATA BY: SPG DATE: 97-06-24			



COMPRESSOR CV	
<i>AVI</i>	
<b>dbx</b>	
1086	
ZONE REV.	DATE COMMENTS
0	08-15-80
1	08-15-80
2	08-15-80
3	08-15-80
4	08-15-80
5	08-15-80
6	08-15-80
7	08-15-80
8	08-15-80
9	08-15-80

782894Z 0808 217A  
 DUS 5208 50-86 AG  
 DATE: 87-06-24









