



Schematic set

CA Series power amplifiers

May 2000 (current production)

- 1. Front display board**
- 2. Rear Input connector board**
- 3. CA6 / CA9 Preamp**
- 4. CA6 / CA9 / CA12 Power supply**
- 5. CA6 / CA9 Output power module**

6

5

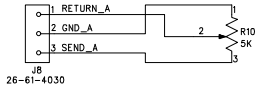
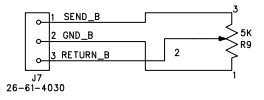
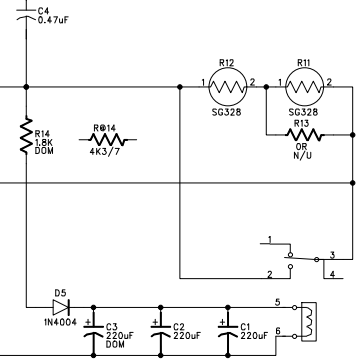
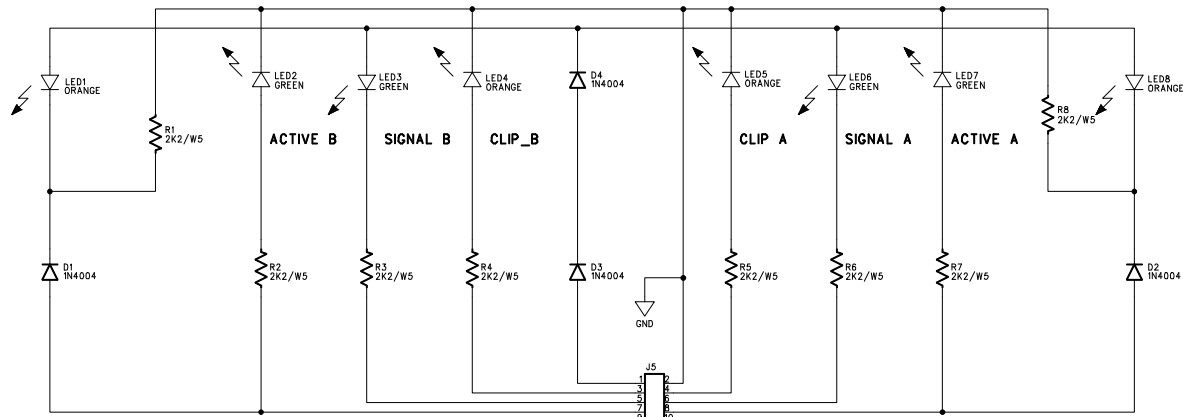
4

3

2

1

REVISION RECORD			
LTR	ECO NO:	APPROVED:	DATE:



NOTES:
R14 4.3K/7W EXPORT



TITLE: CA SERIES DISPLAY			
DRAWN:	DATED:	CODE:	REV:
CHECKED:	DATED:	C	5
QUALITY CONTROL:	DATED:	DRAWING NO: 21A1925-05	
RELEASED:	DATED:	SCALE:	SHEET: 1 OF 1

6

5

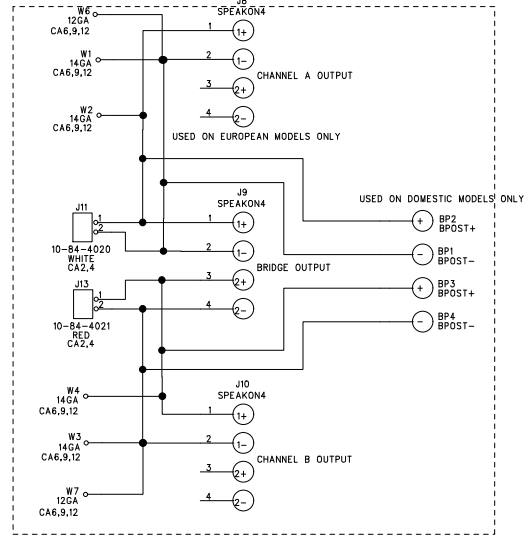
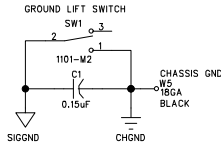
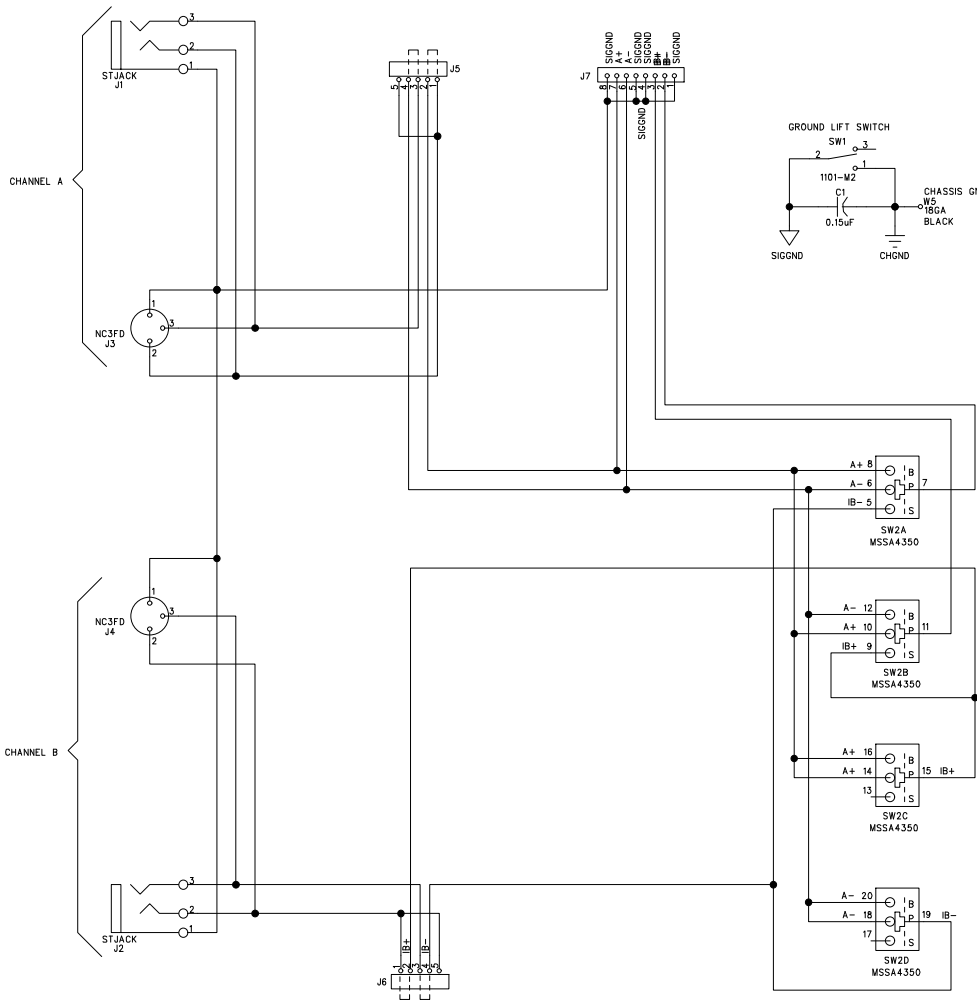
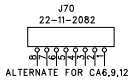
4

3

2

1

REVISION RECORD			
LTR	ECO NO:	APPROVED:	DATE:



MODE SWITCH
 B= BRIDGE MODE
 P= PARALLEL MODE
 S= STEREO MODE



TITLE: CA 2,4,6,9, & 12 INPUT			
CODE:	SIZE: C	DRAWING NO: 2410-01	REV: 01
SCALE:		SHEET: 1 OF 2	

DRAWN: BE	DATED: 11/28/94
CHECKED:	DATED:
QUALITY CONTROL:	DATED:
RELEASED:	DATED:

6

5

4

3

2

1

REVISION RECORD			
LTR	ECO NO:	APPROVED:	DATE:

USED ON EUROPEAN MODELS ONLY

- 1 SO1 SWAGE--781
- 1 SO2 SWAGE--781
- 1 SO3 SWAGE--781
- 1 SO4 SWAGE--781
- 1 SO5 SWAGE--781
- 1 SO6 SWAGE--781

- 1 SO7 SWAGE--854
- 1 SO8 SWAGE--854
- 1 SO9 SWAGE--854
- 1 SO10 SWAGE--854

ON ALL MODELS OTHER THAN EUROPEAN (NO SPEAKONS)
INSTALL THIS STANDOFF
1 SWAGE--938

- JUMP1 JUMPSHUNT
 - JUMP2 JUMPSHUNT
 - JUMP3 JUMPSHUNT
 - JUMP4 JUMPSHUNT
- INSTALL IN LOCATIONS J5 & J6
PINS 1&2 AND 3&4 RESPECTIVELY

PCB1
25C2410-01
69000275

CA6,9,12

WIRE128
WIRE SET INPUT CABLE ASSY CHANNEL A

CA6,9,12

WIRE129
WIRE SET INPUT CABLE ASSY CHANNEL B

CA2,4,6,9,12

WIRE130
WIRE SET INPUT BOARD GROUND CABLE

CA6,9,12

WIRE138
WIRE SET INPUT TO P/S GROUND CABLE



TITLE: CA 2,4,6,9 & 12 INPUT			
CODE:	SIZE: C	DRAWING NO: 2410-01	REV: 01
SCALE:		SHEET: 2 OF 2	

DRAWN:	DATED:
CHECKED:	DATED:
QUALITY CONTROL:	DATED:
RELEASED:	DATED:

D

D

C

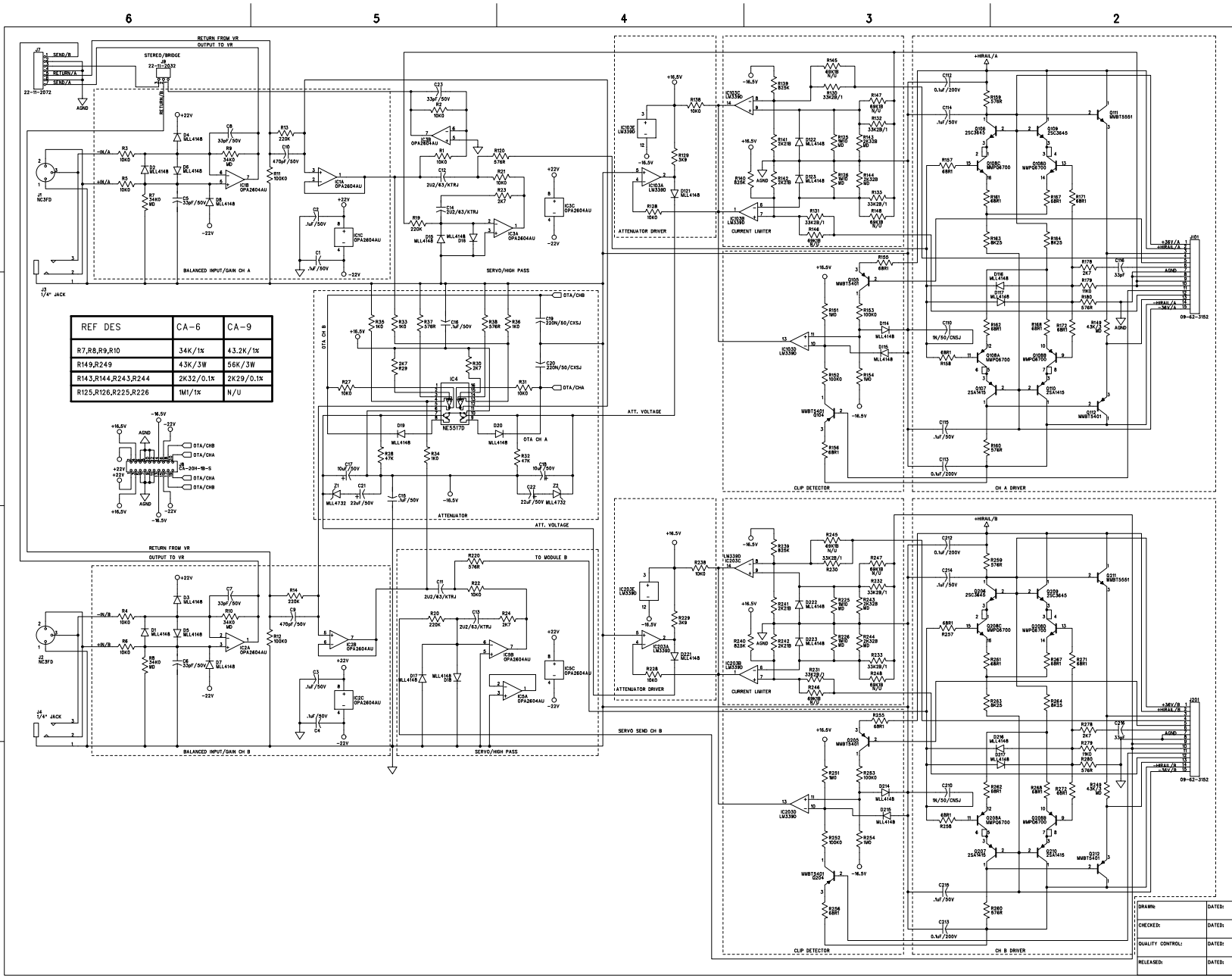
C

B

B

A

A



REVISION RECORD			
LTR	ECO NO.	APPROVED	DATE

REF DES	CA-6	CA-9
R7,R8,R9,R10	34K/1X	43.2K/1X
R149,R249	43K/3W	56K/3W
R143,R144,R243,R244	2K32/0.1X	2K29/0.1X
R125,R126,R225,R226	1M/1X	N/U

CRESTAUDIO

CA6, CA9 PREAMP

TITLE:	CA6, CA9 PREAMP		
DRAWN:	DATE:	CODE:	SIZE:
CHECKED:	DATE:	DRAWING NO:	REV:
QUALITY CONTROL:	DATE:	1915-03.SCH	3
RELEASED:	DATE:	SCALE:	SHEET: 1 OF 1

6

5

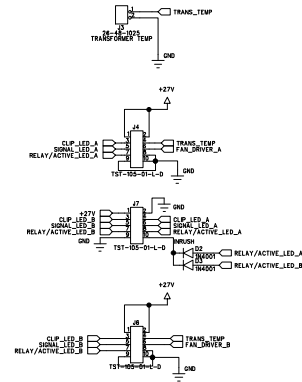
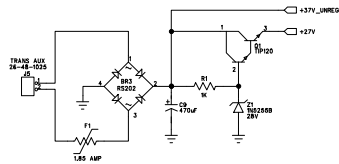
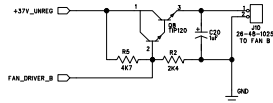
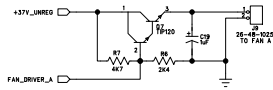
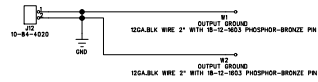
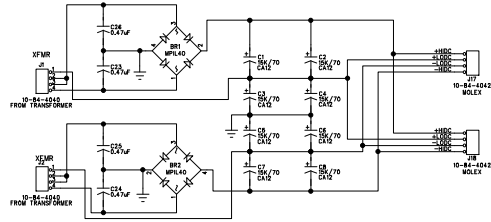
4

3

2

1

REVISION RECORD			
LTR	ECO NO.	APPROVED:	DATE:



CRESTAUDIO

TITLE: CAK/9/12 POWER SUPPLY

DRAWN: BE	DATE: 2/94	CODE:	SIZE:	DRAWING NO:	REV: 03
CHECKED: FR	DATE: 7-8-95				
QUALITY CONTROL:	DATE:				
RELEASED:	DATE:	SCALE:		SHEET: 1 of 1	

6

5

4

3

2

1

REVISION RECORD			
LTR	ECO NO.	APPROVED:	DATE:



CA6,9,12 HEATSIK FOR BRIDGE RECT.



FOR W1 & W2 TO I/O PCB



FOR BRIDGE RECTIFIER HEATSIK
SCREW: #14x0.8 ST TYPE 8 SELF-TAP PAN HD PHL ZINC



FOR BRIDGE RECTIFIER HEATSIK
SCREW: #10-32x1/4 PAN HD PHL ZINC BLACK



FOR BRIDGE RECTIFIER HEATSIK



FOR BRIDGE RECTIFIER HEATSIK



FOR BRIDGE RECTIFIER HEATSIK



FOR BRIDGE RECTIFIER HEATSIK



HEATSINKS AND HARDWARE MOUNT TO 07, 08, 01



HEATSINKS AND HARDWARE MOUNT TO 07, 08, 01



HEATSINKS AND HARDWARE MOUNT TO 07, 08, 01



HEATSINKS AND HARDWARE MOUNT TO 07, 08, 01



HEATSINKS AND HARDWARE MOUNT TO 07, 08, 01



HEATSINKS AND HARDWARE MOUNT TO 07, 08, 01



HEATSINKS AND HARDWARE MOUNT TO 07, 08, 01



HEATSINKS AND HARDWARE MOUNT TO 07, 08, 01



HEATSINKS AND HARDWARE MOUNT TO 07, 08, 01

MODEL DEPENDENT CAPACITORS

	CA6	CA9	CA12
C1,2=	C301 	C301 	C302
C3,4=	C304 	C303 	C304
C5,6=	C305 	C305 	C306
C7,8=	C308 	C307 	C308



USED ON HEATSIK TO PROTECT WIRES



USED ON HEATSIK TO PROTECT WIRES



USED ON HEATSIK TO PROTECT WIRES



DRAWN:		DATED:		TITLE: CA6/9/12 POWER SUPPLY CA6_9_12CAP.sch	
CHECKED:	DATED:	CODE:	SIZE:	DRAWING NO:	REV:
QUALITY CONTROL:	DATED:	SCALE:		SHEET: 2 of 2	
RELEASED:	DATED:				

6

5

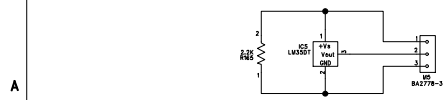
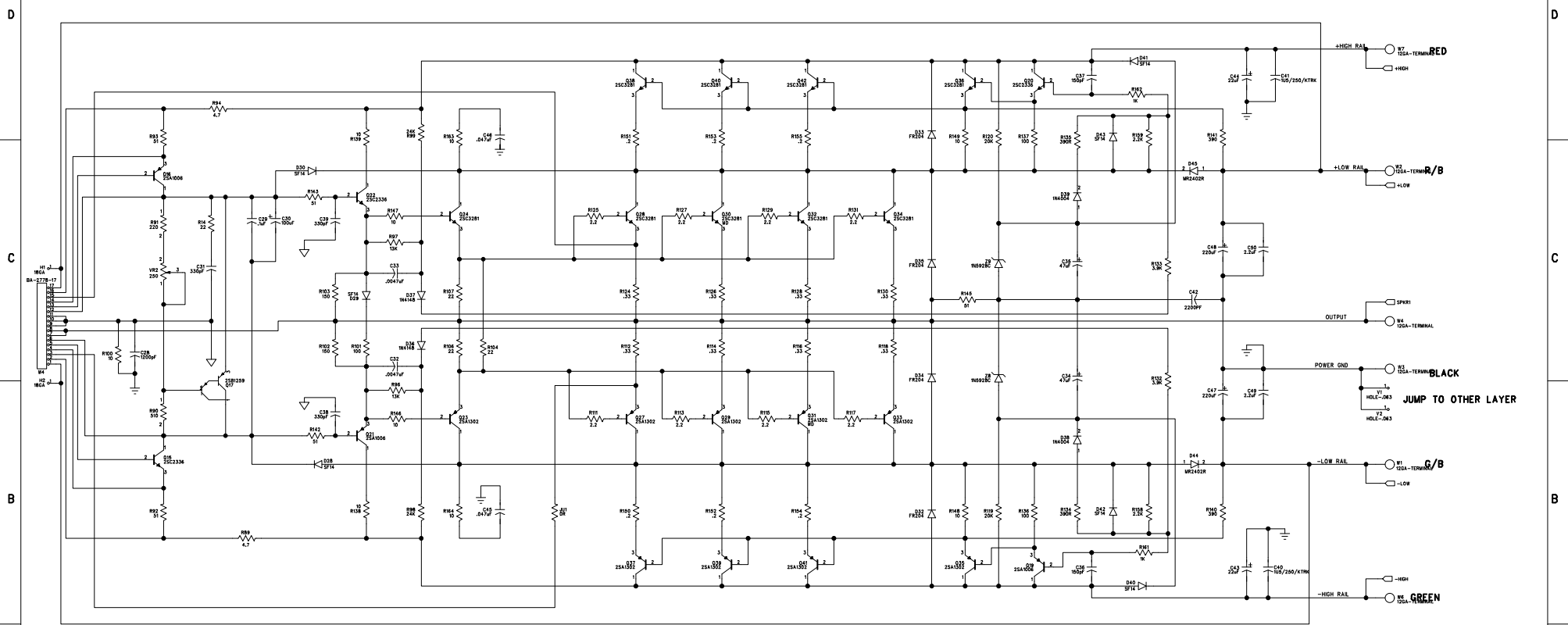
4

3

2

1

REVISION RECORD			
LTN	ECO NO.	APPROVED:	DATE:



Q30 & Q31 NOT INSTALLED ON CA6

CRESTAUDIO

CA 6, 9 OUTPUT MODULE

DRAWN:	DATE:	8/15/94		
CHECKER:	DATE:	CODE:	SIZE:	DRAWING NO:
QUALITY CONTROL:	DATE:	D		2949-01
RELEASED:	DATE:	SCALE:		REV: 0

SHEET 1 OF 2

6

5

4

3

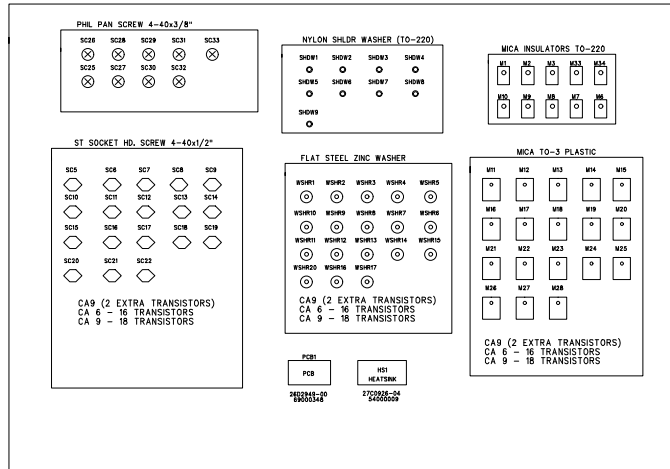
2

1

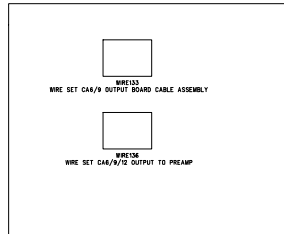
REVISION RECORD			
LTR	ECO NO.	APPROVED	DATE

REV-1 BOARDS WERE NOT SENT OUT
 CA 6,9 OUTPUT WAS 7001 OUTPUT PCB
 SCHEMATIC MATCHES REV-1 EXCEPT FOR VALUES
 LAYOUT WAS DONE USING OLD DATABASE
 SEVERAL RESISTOR PINS 1 & 2 ARE SWAPPED BETWEEN SCHEMATIC AND PCB
 RESISTOR PINS FIXED ON REV-1

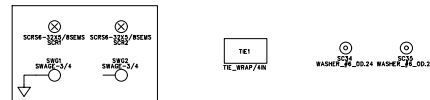
HEATSINK MODULE ASSY.



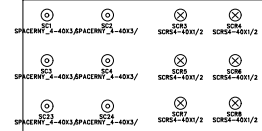
WIRE ASSEMBLY



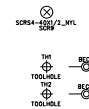
FASTEN PREAMP TO OUTPUT PCB



FASTEN OUTPUT PCB TO HEATSINK



LW35DP



TITLE:
CA 6. 9 OUTPUT MODULE

DRAWN:	DATED:	CODE:	SIZE:	DRAWING NO.:	REV.:
CHECKED:	DATED:	D		2949-00	0
QUALITY CONTROL:	DATED:				
RELEASED:	DATED:				
SCALE:				SHEET: 2 OF 2	